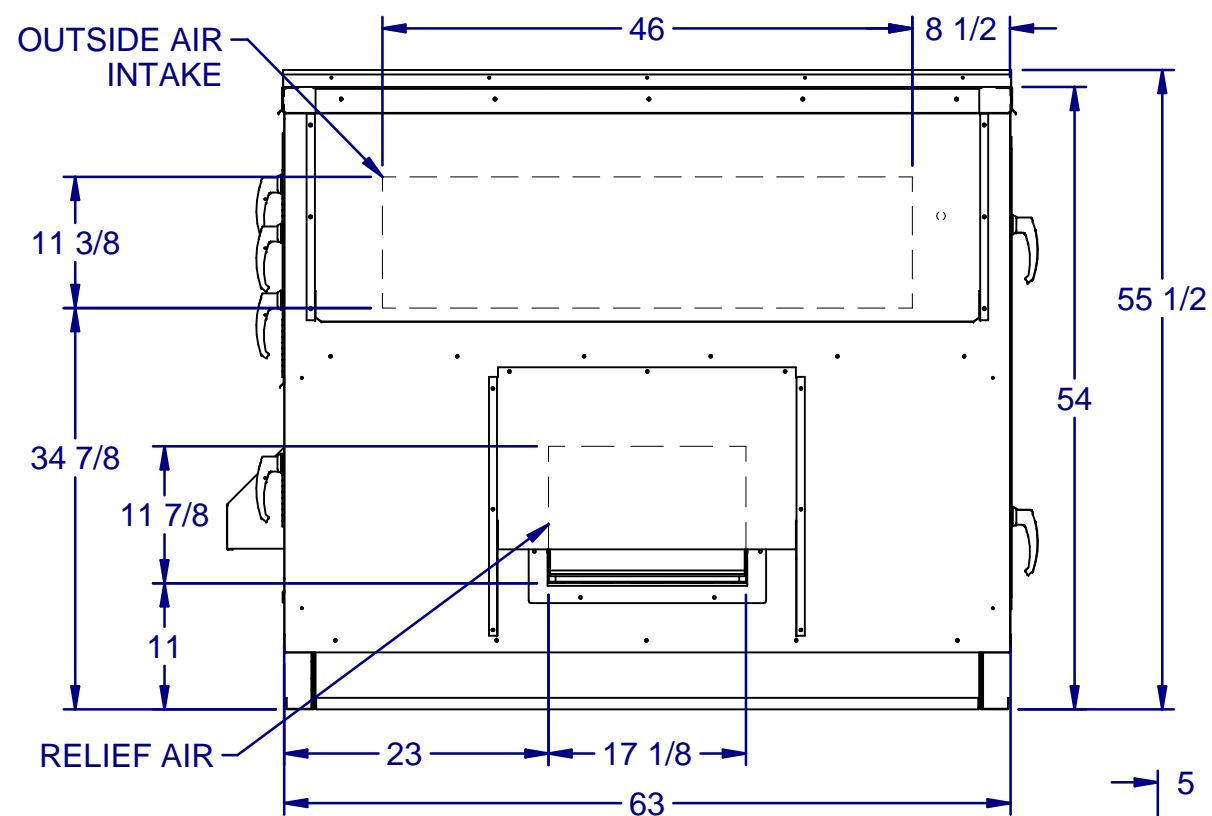
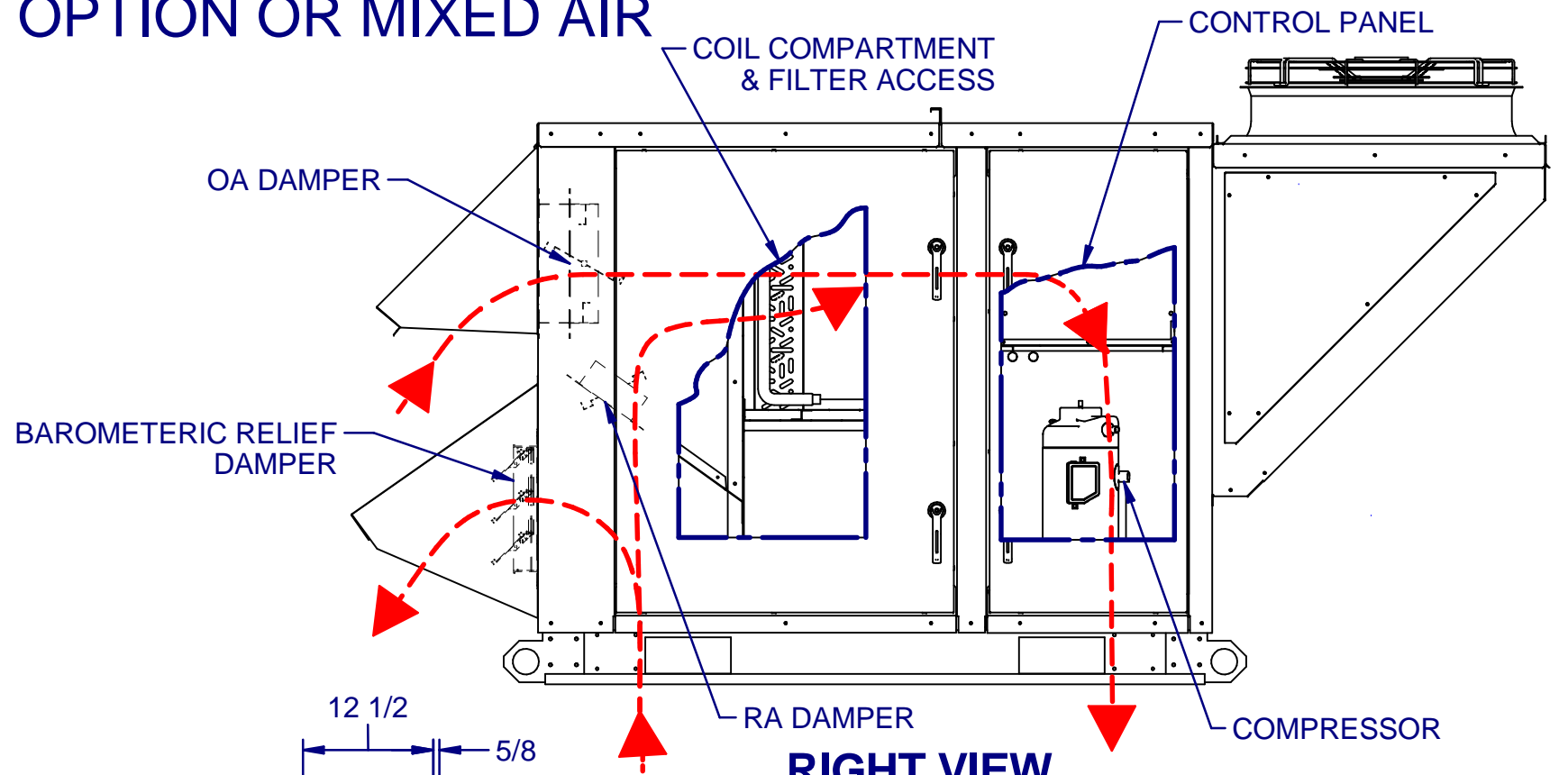


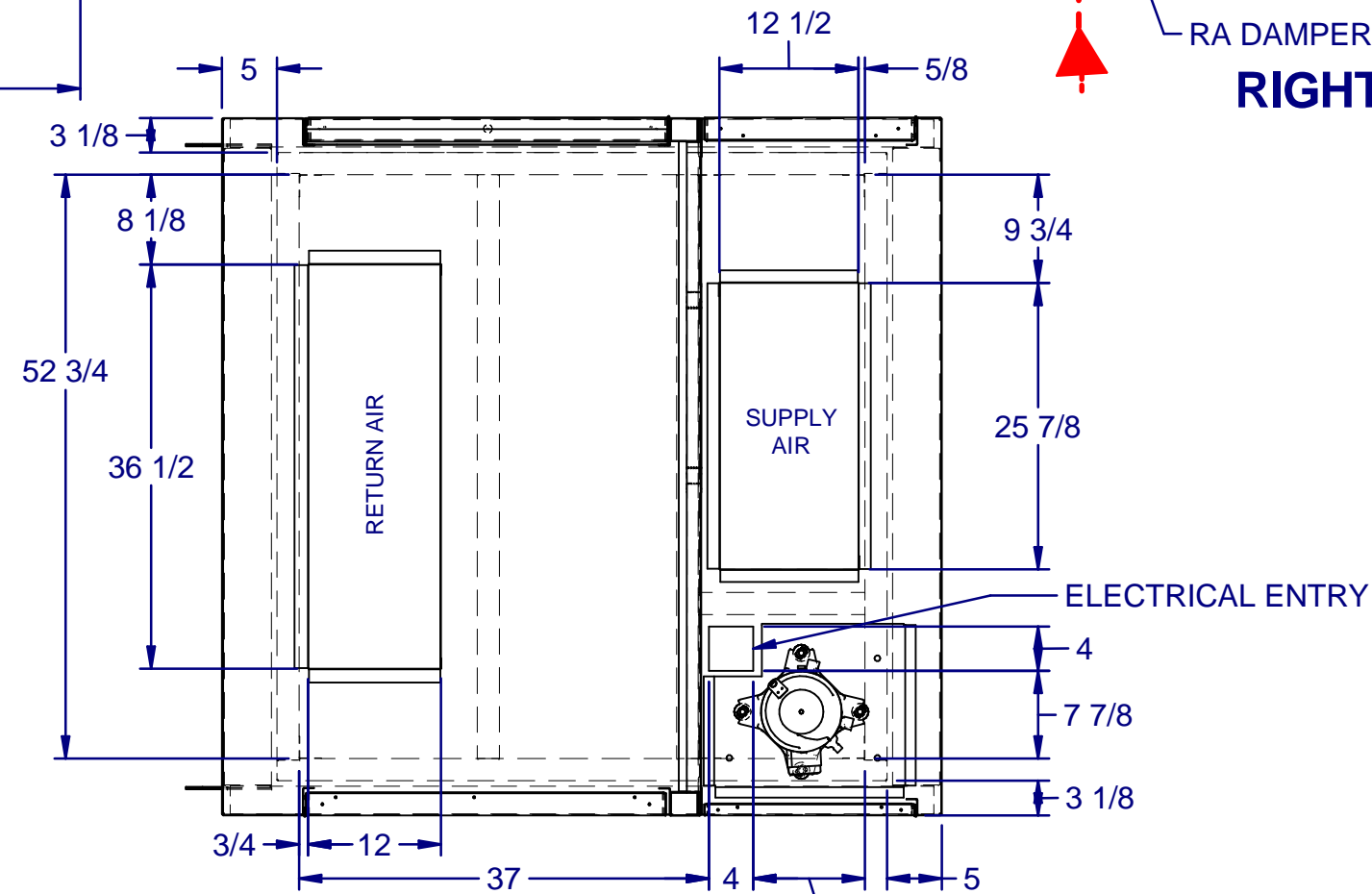
100% OUTSIDE AIR WITH RECIRCULATING OPTION OR MIXED AIR



FRONT VIEW



RIGHT VIEW



**TOP PLAN VIEW
CONDENSING SIDE
NOT SHOWN**

DRAWING NUMBER: 05041-2476-3	12/21/2015
TITLE: PR A1 CAB NO EXH	1 OF 1