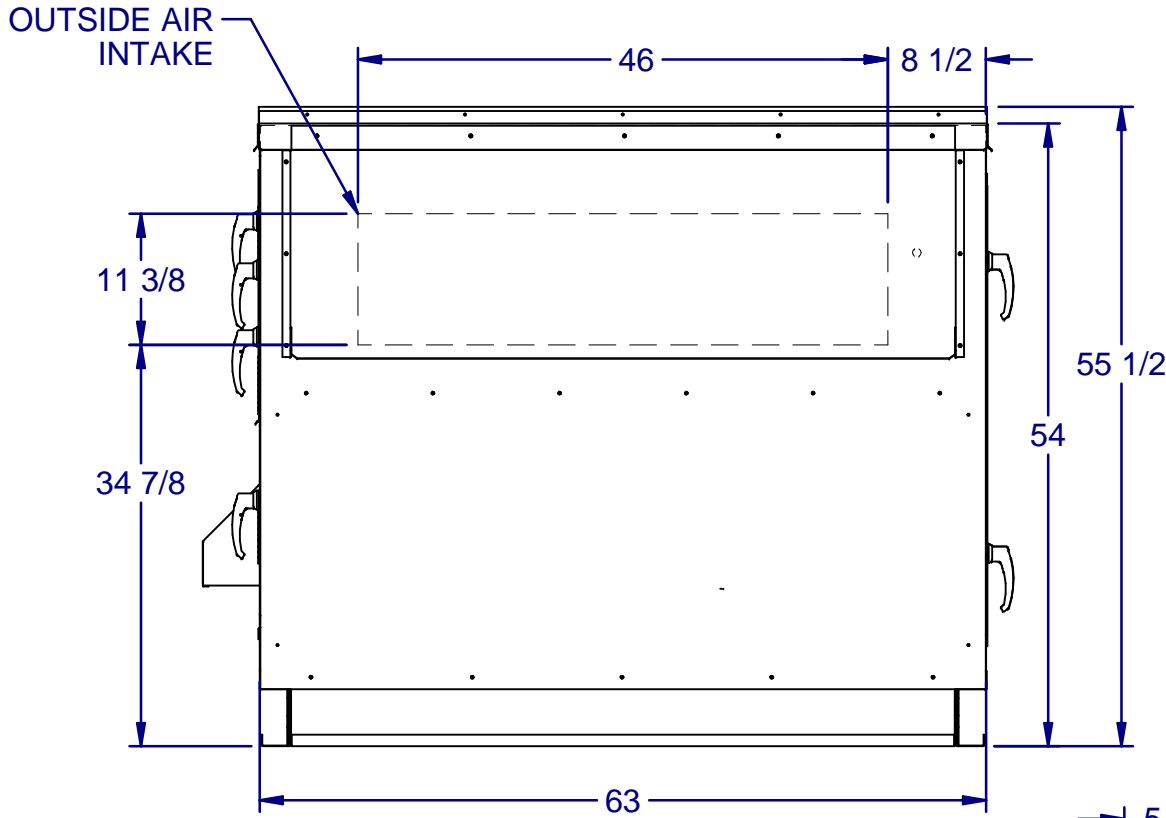
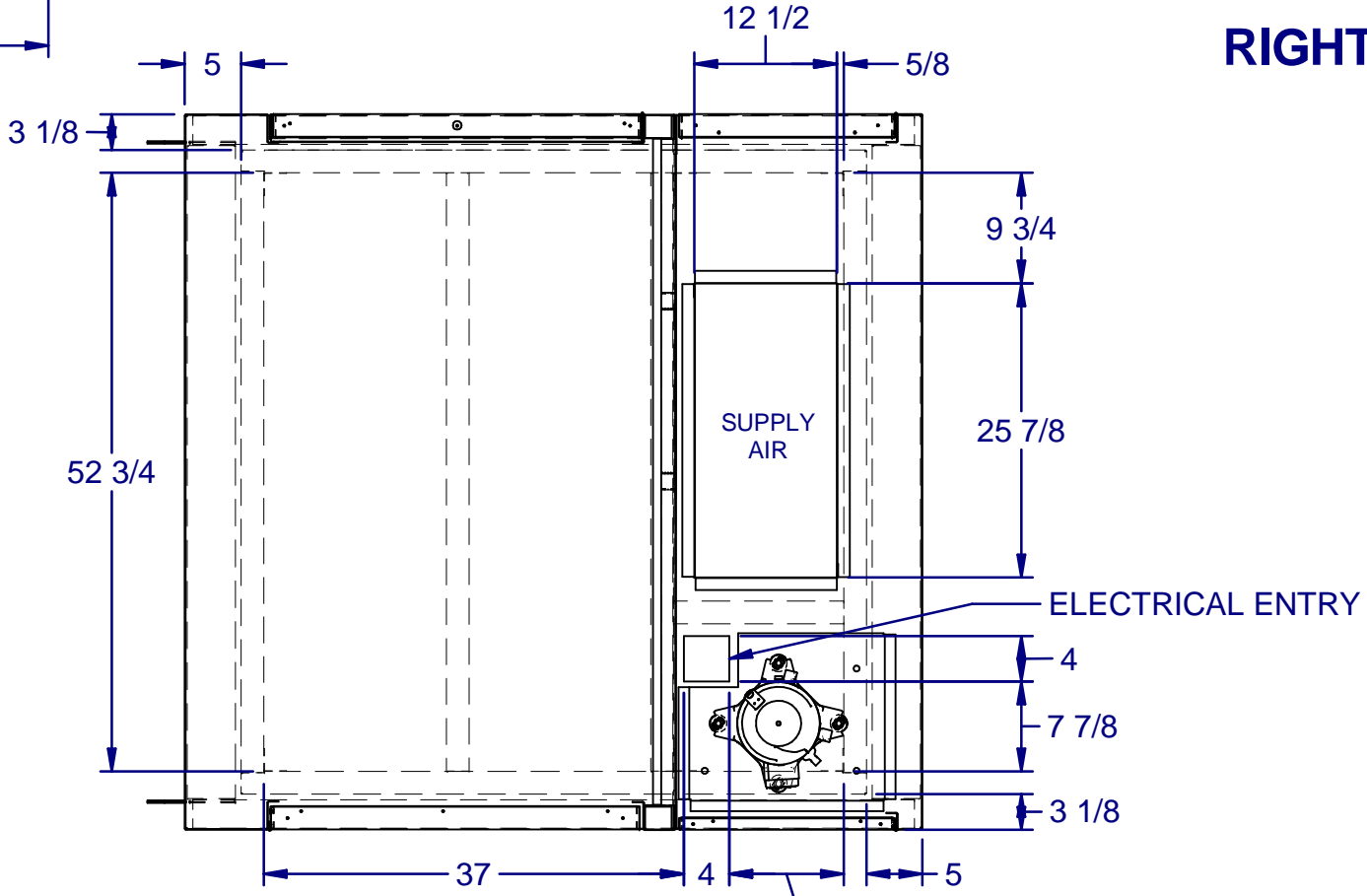
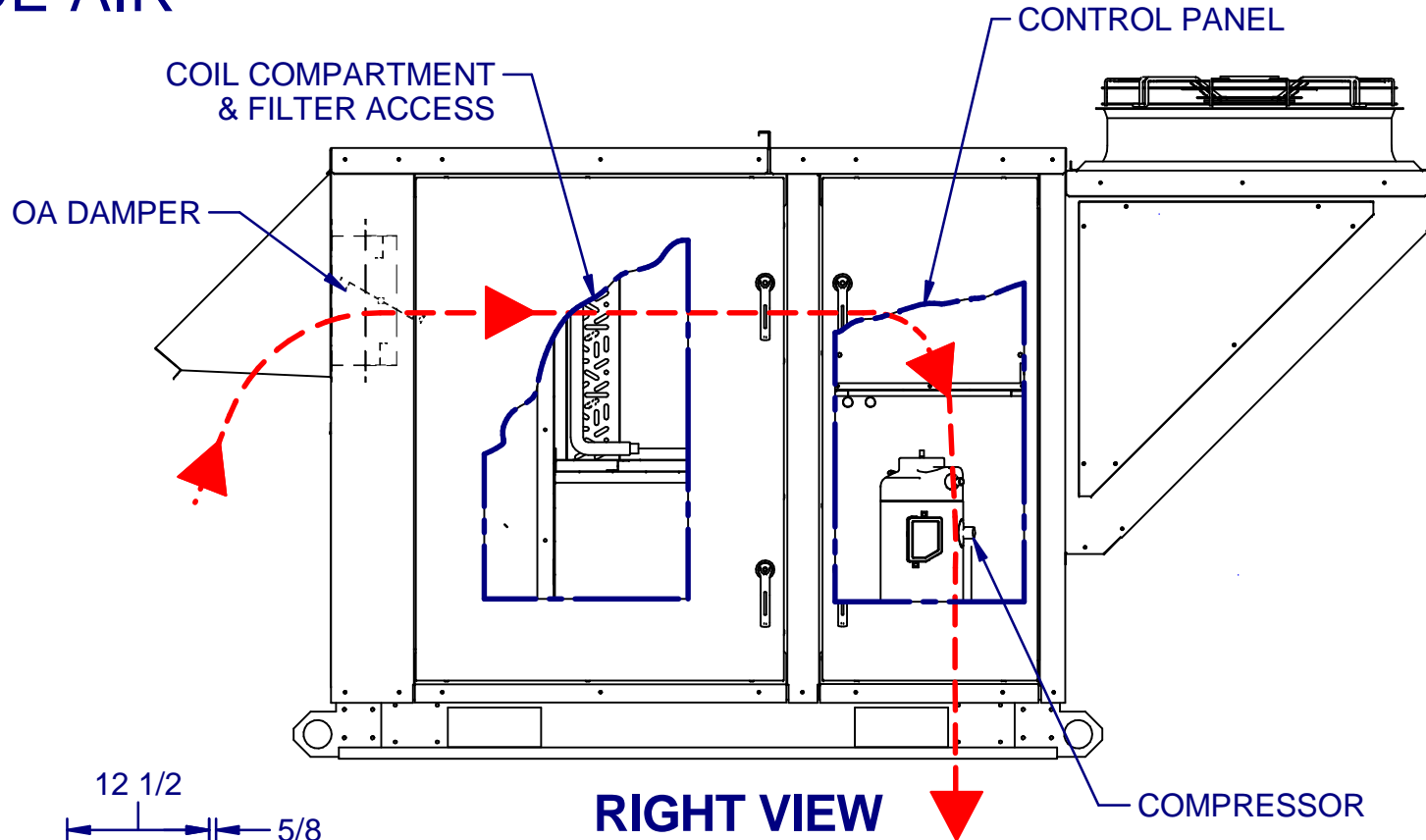


100% OUTSIDE AIR



FRONT VIEW



TOP PLAN VIEW
CONDENSING SIDE
NOT SHOWN

| | |
|------------------------------|------------|
| DRAWING NUMBER: 05041-2476-4 | 12/21/2015 |
| TITLE: PR A1 CAB NO EXH | 1 OF 1 |