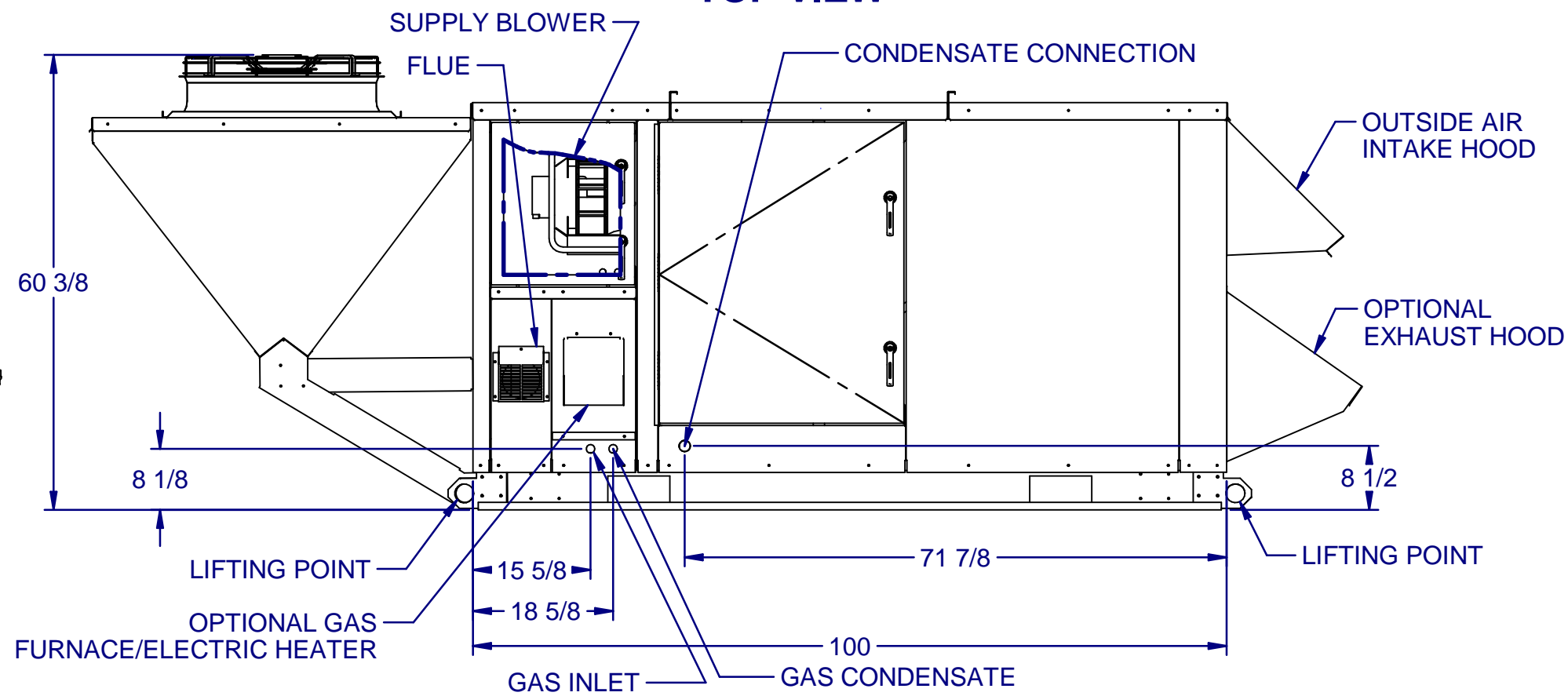
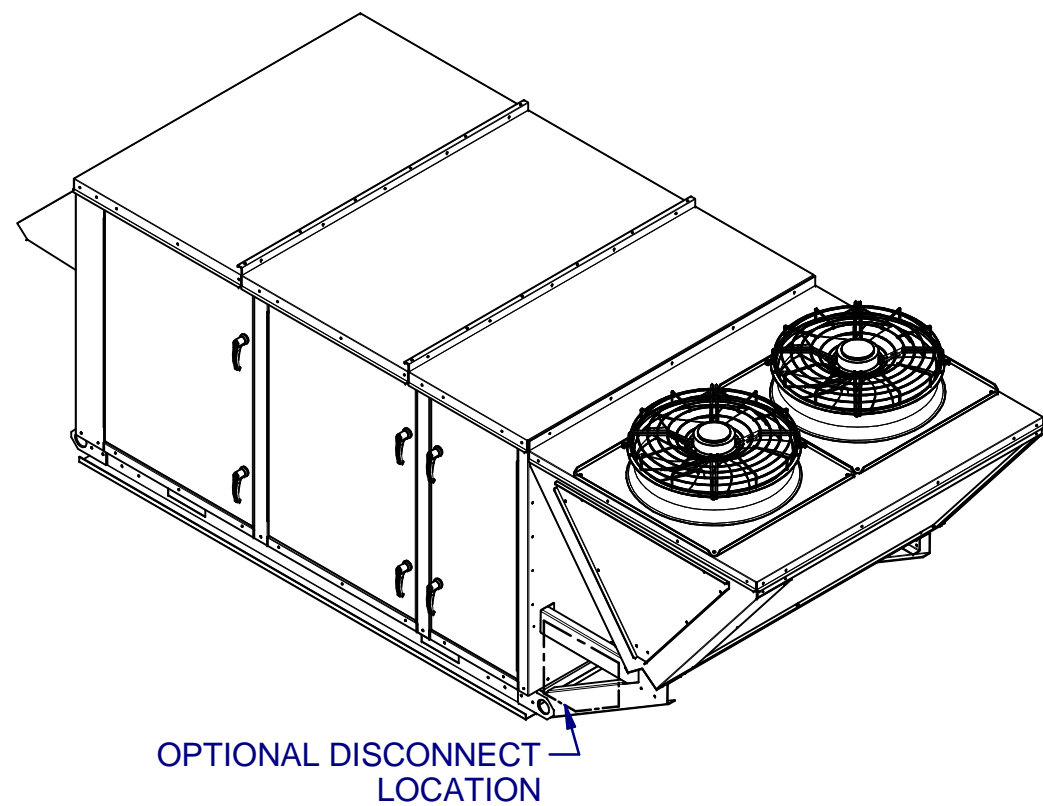


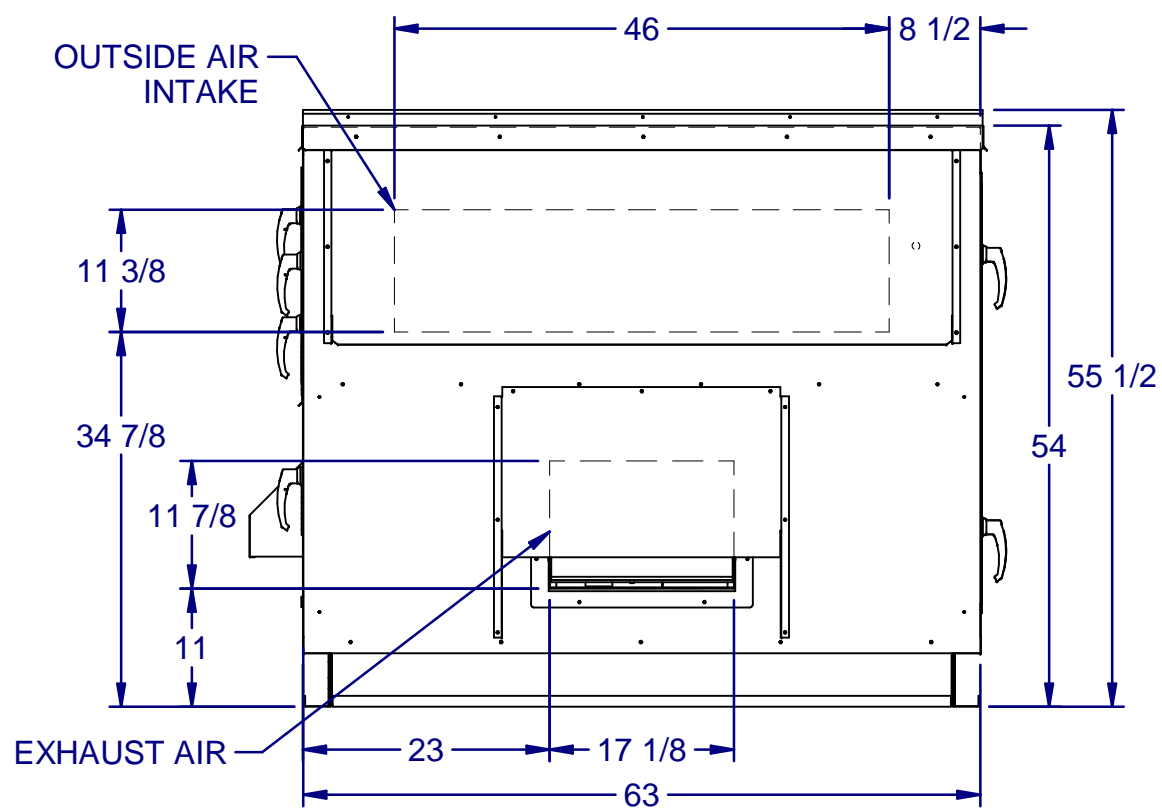
TOP VIEW



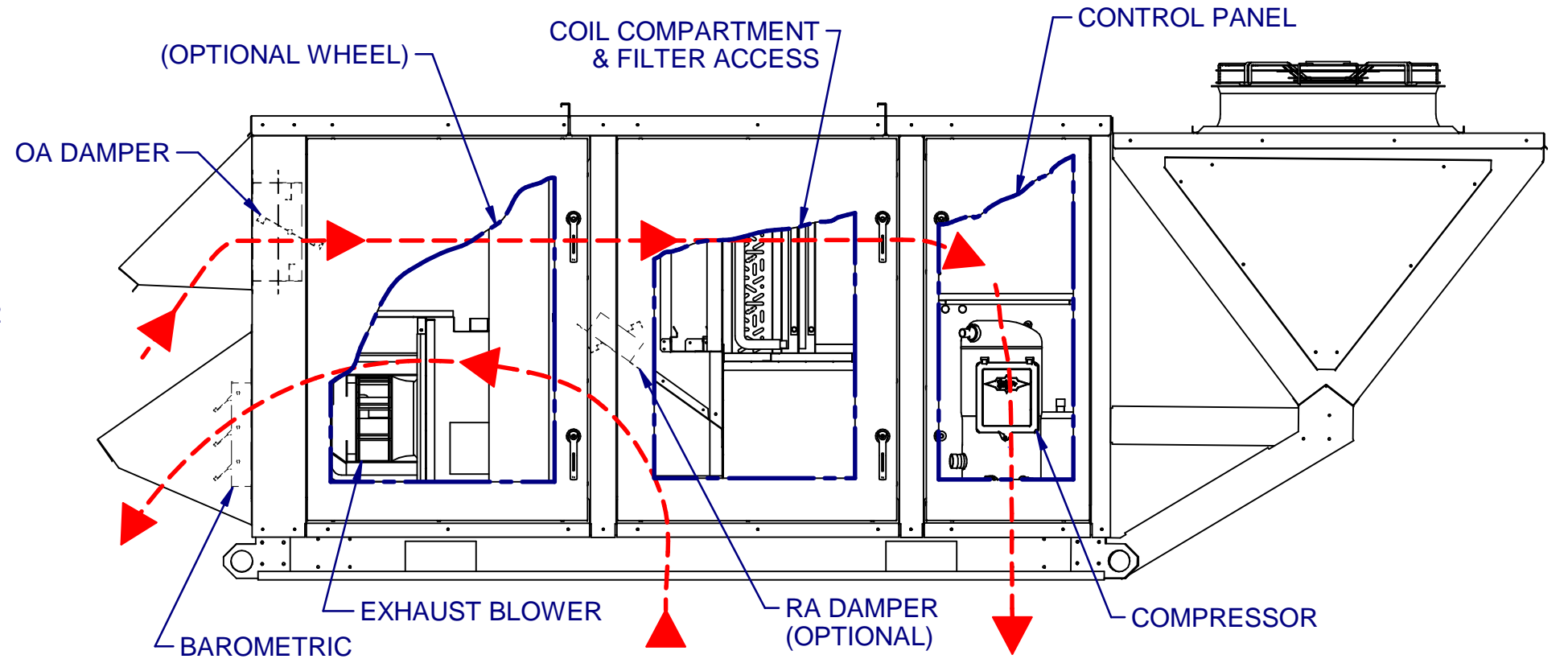
LEFT VIEW

COND. CONN.	GAS COND. CONN.	GAS INLET CONN.	CWC CONN.	HWC CONN.
3/4" Ø SLIP CONN.	1/2" Ø FPT	75-100 MBH - 1/2" Ø NPT	1 3/8" Ø	N/A

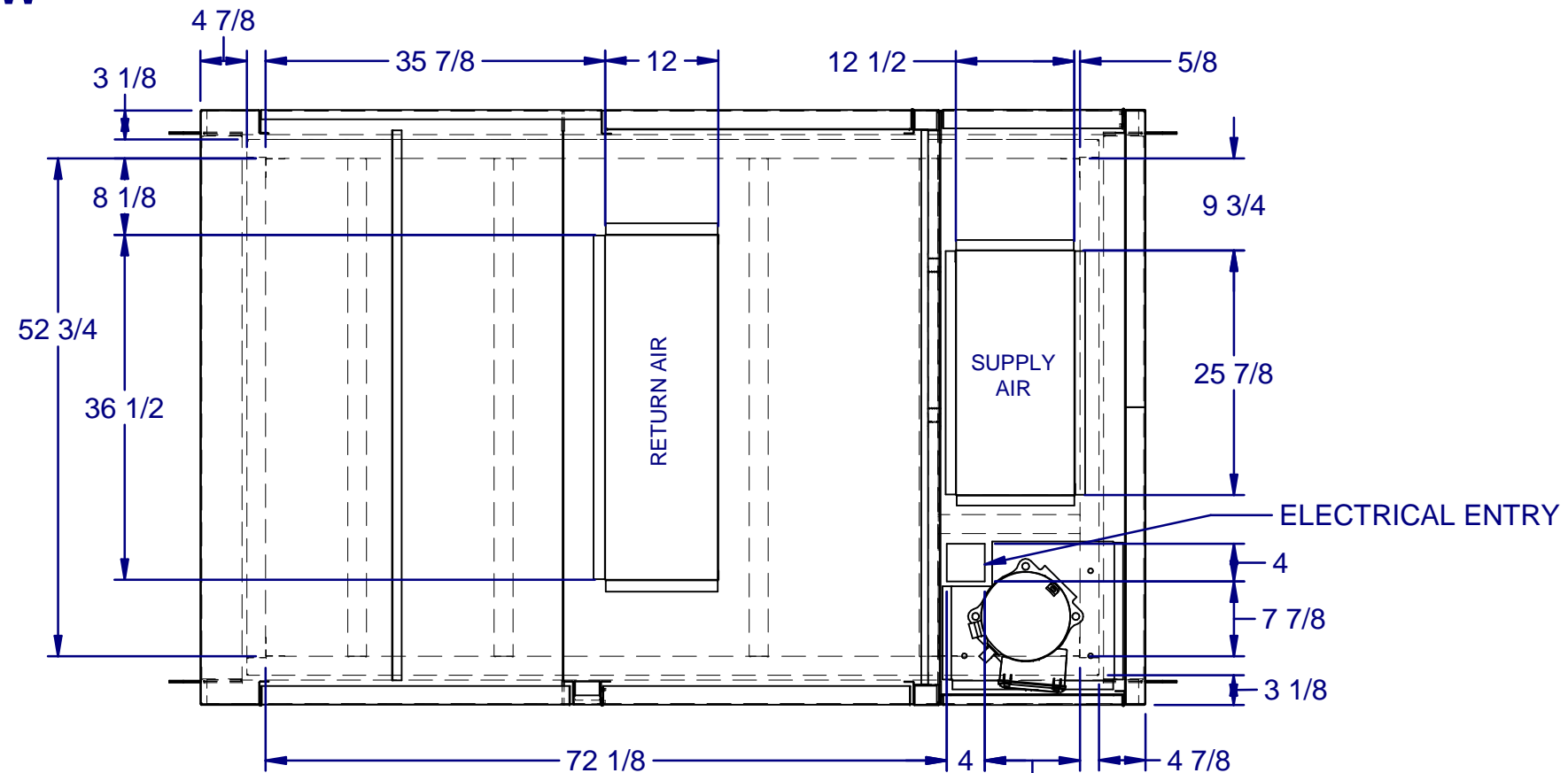
DRAWING NUMBER: 05041-2477	12/21/2015
TITLE: PR A2 CAB	1 OF 2



FRONT VIEW



RIGHT VIEW



**TOP PLAN VIEW
CONDENSING SIDE
NOT SHOWN**

DRAWING NUMBER: 05041-2477	12/21/2015
TITLE: PR A2 CAB	2 OF 2