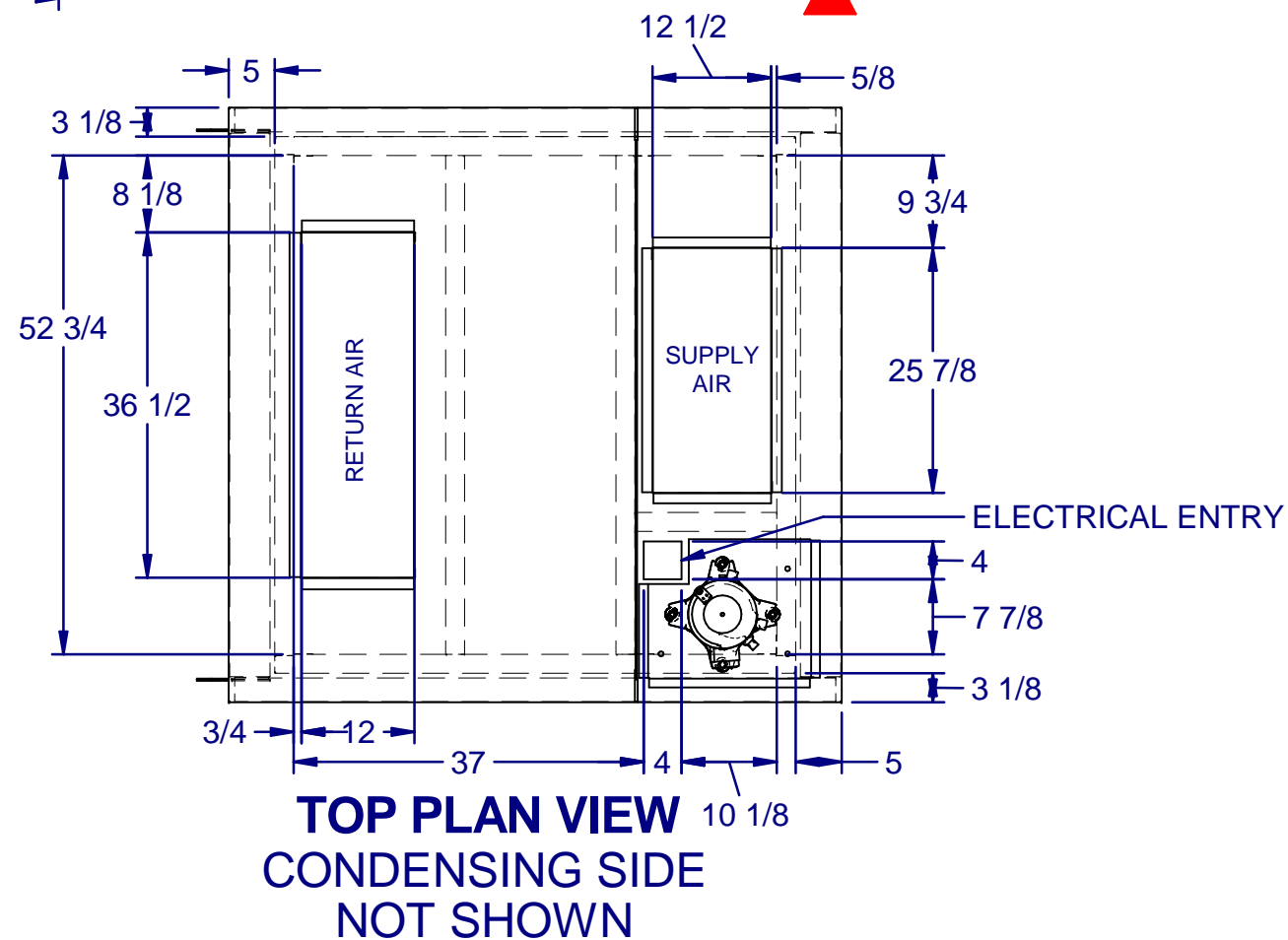
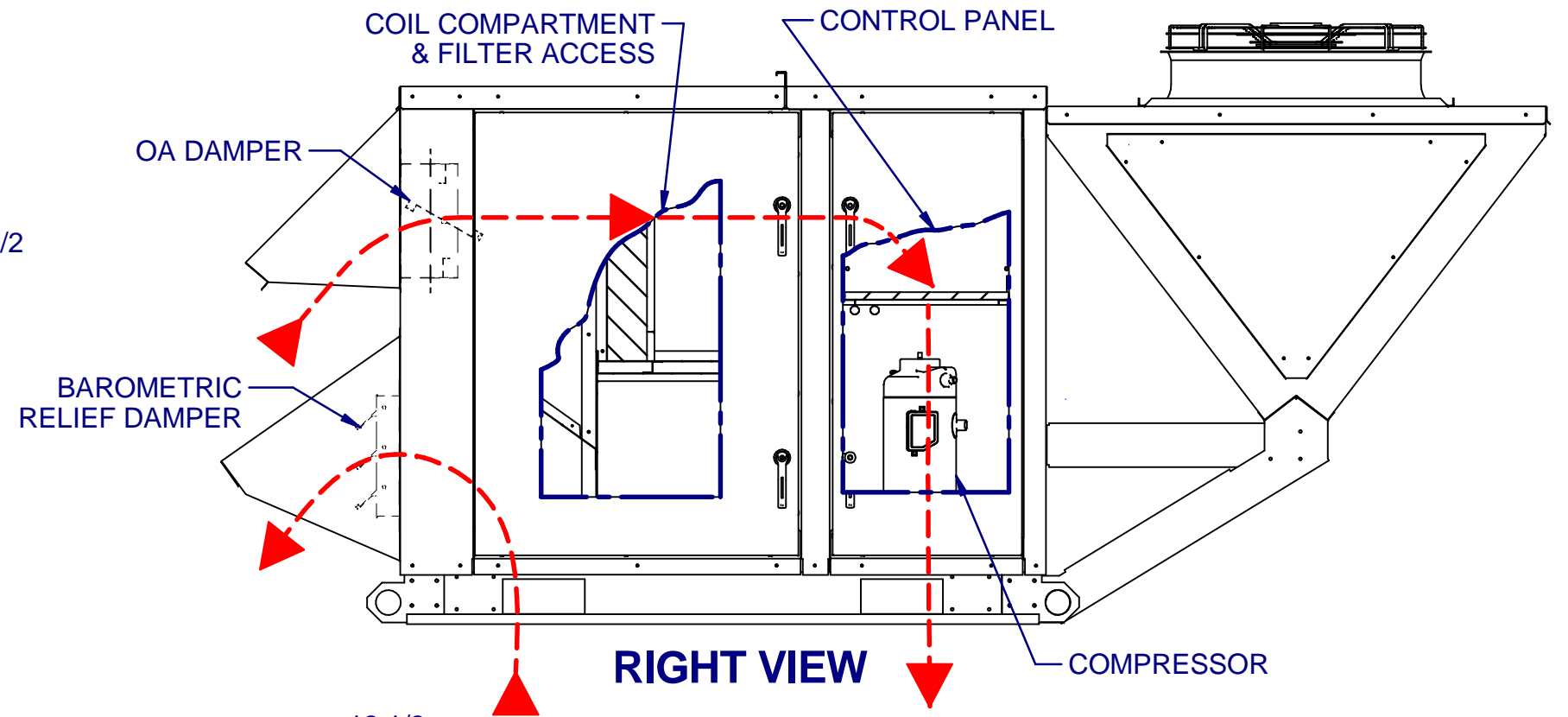
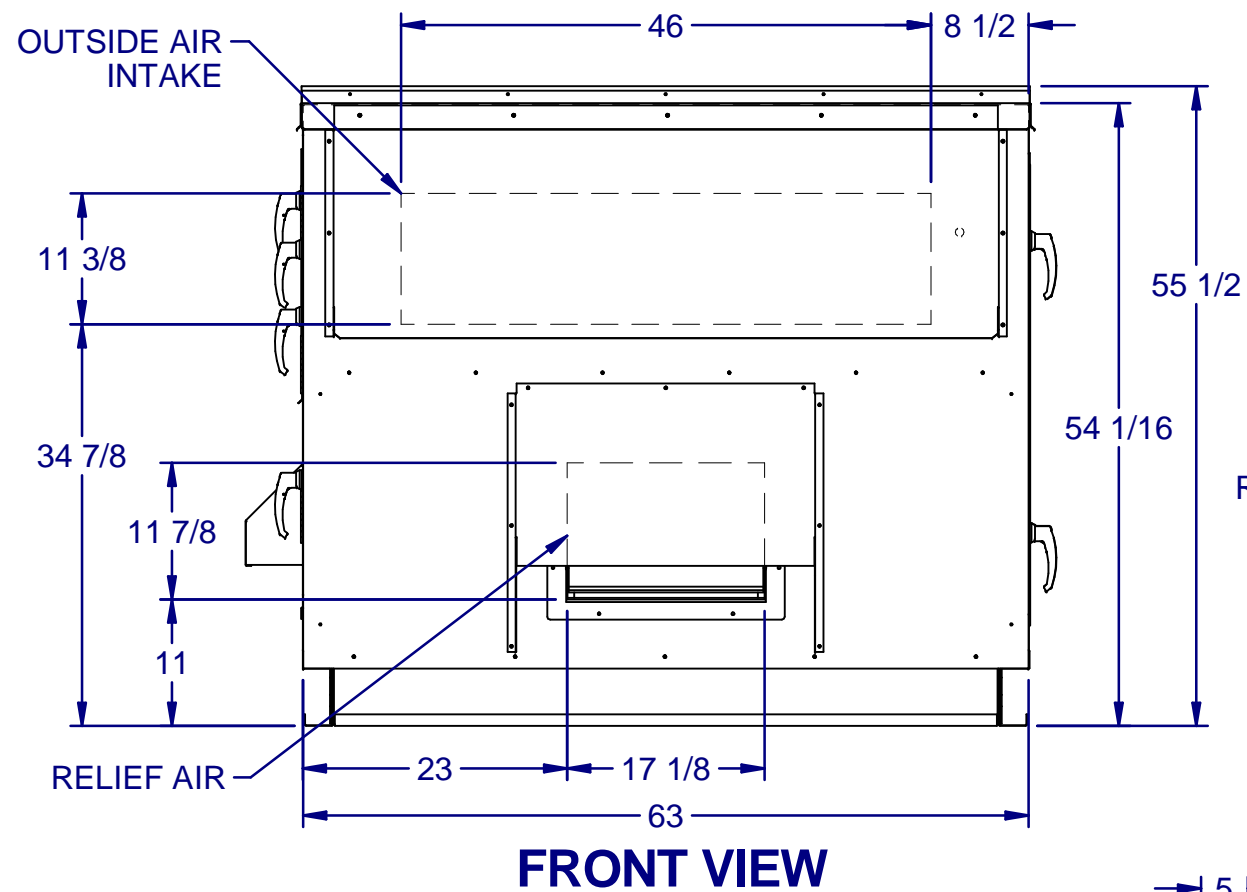


# 100% OUTSIDE AIR WITH BAROMETRIC RELIEF



DRAWING NUMBER: 05041-2478-2	12/21/2015
TITLE: PR A2 CAB NO EXH	1 OF 1