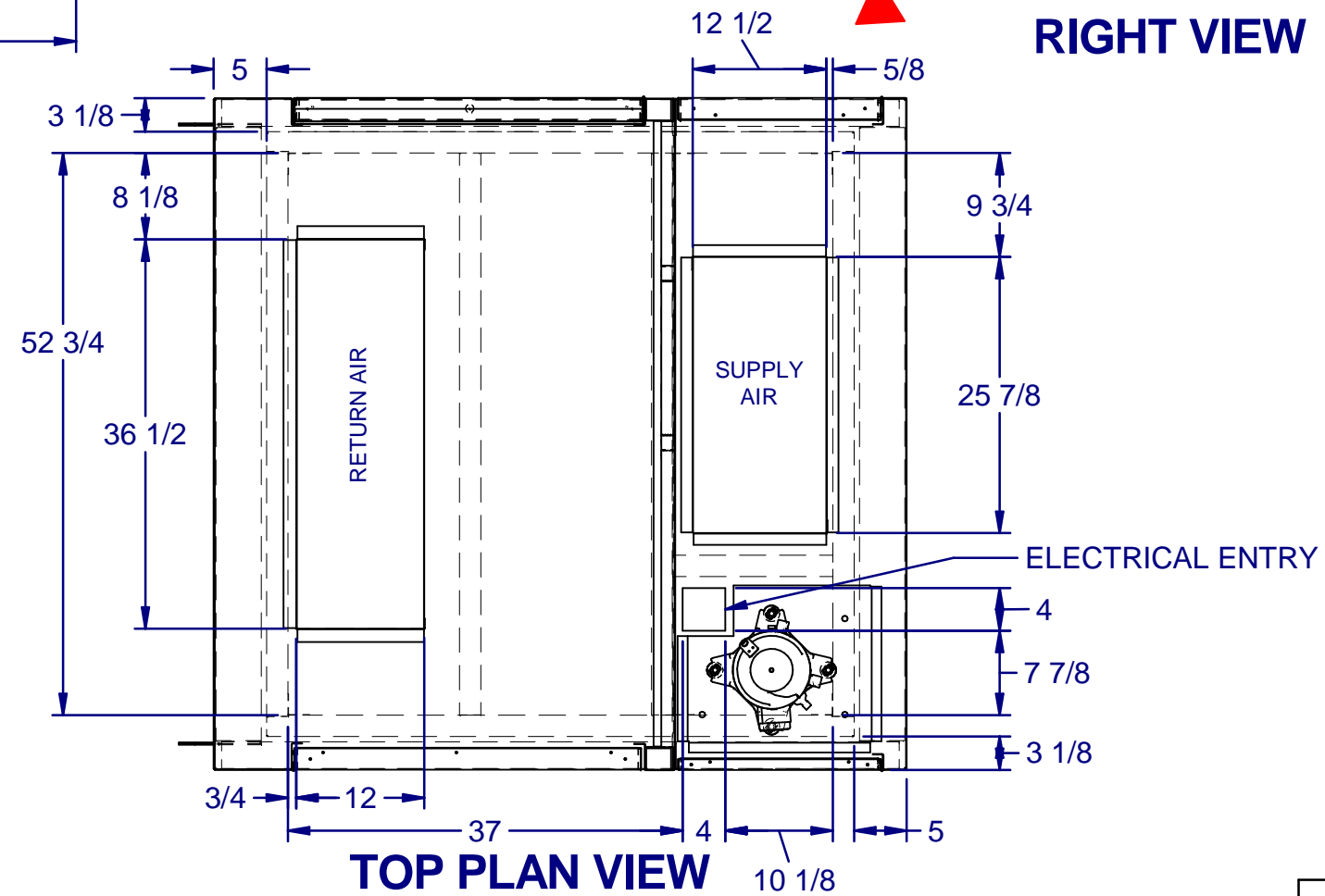
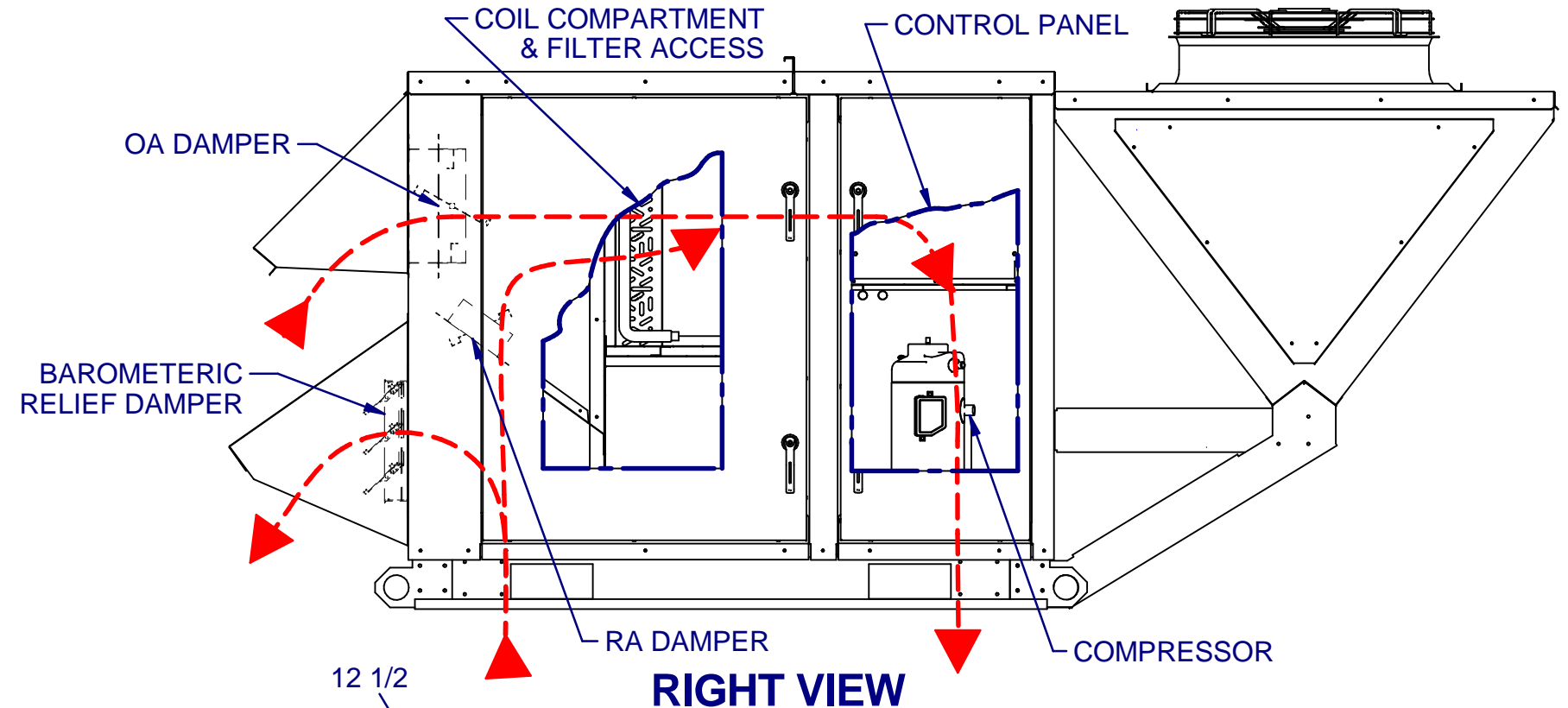
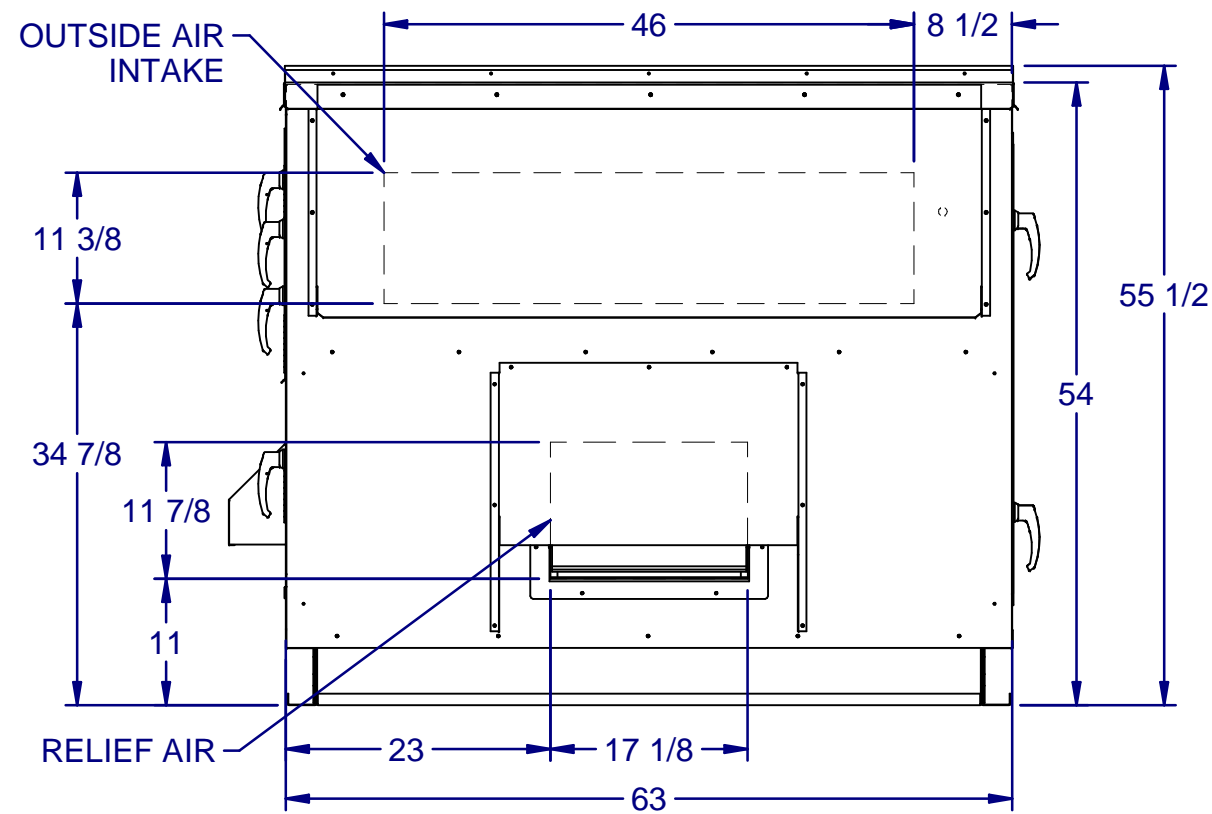


100% OUTSIDE AIR WITH RECIRCULATING OPTION OR MIXED AIR



**CONDENSING SIDE
NOT SHOWN**

DRAWING NUMBER: 05041-2478-3	12/21/2015
TITLE: PR A2 CAB NO EXH	1 OF 1