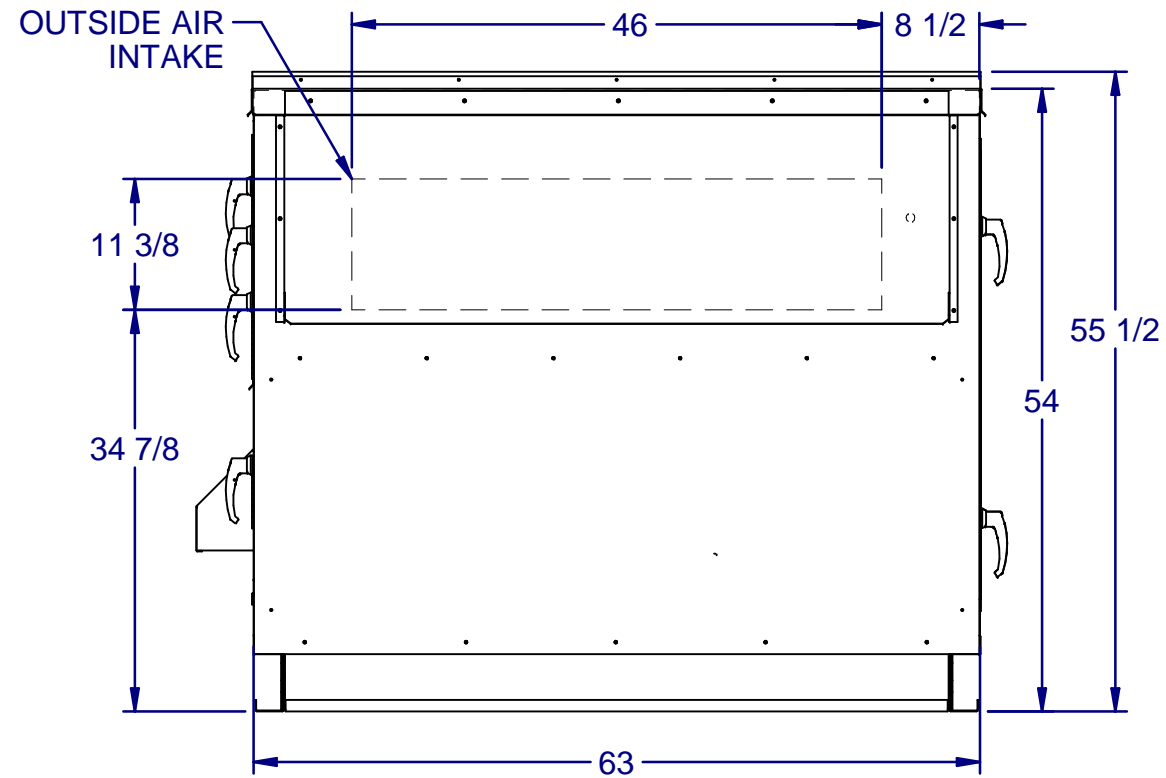
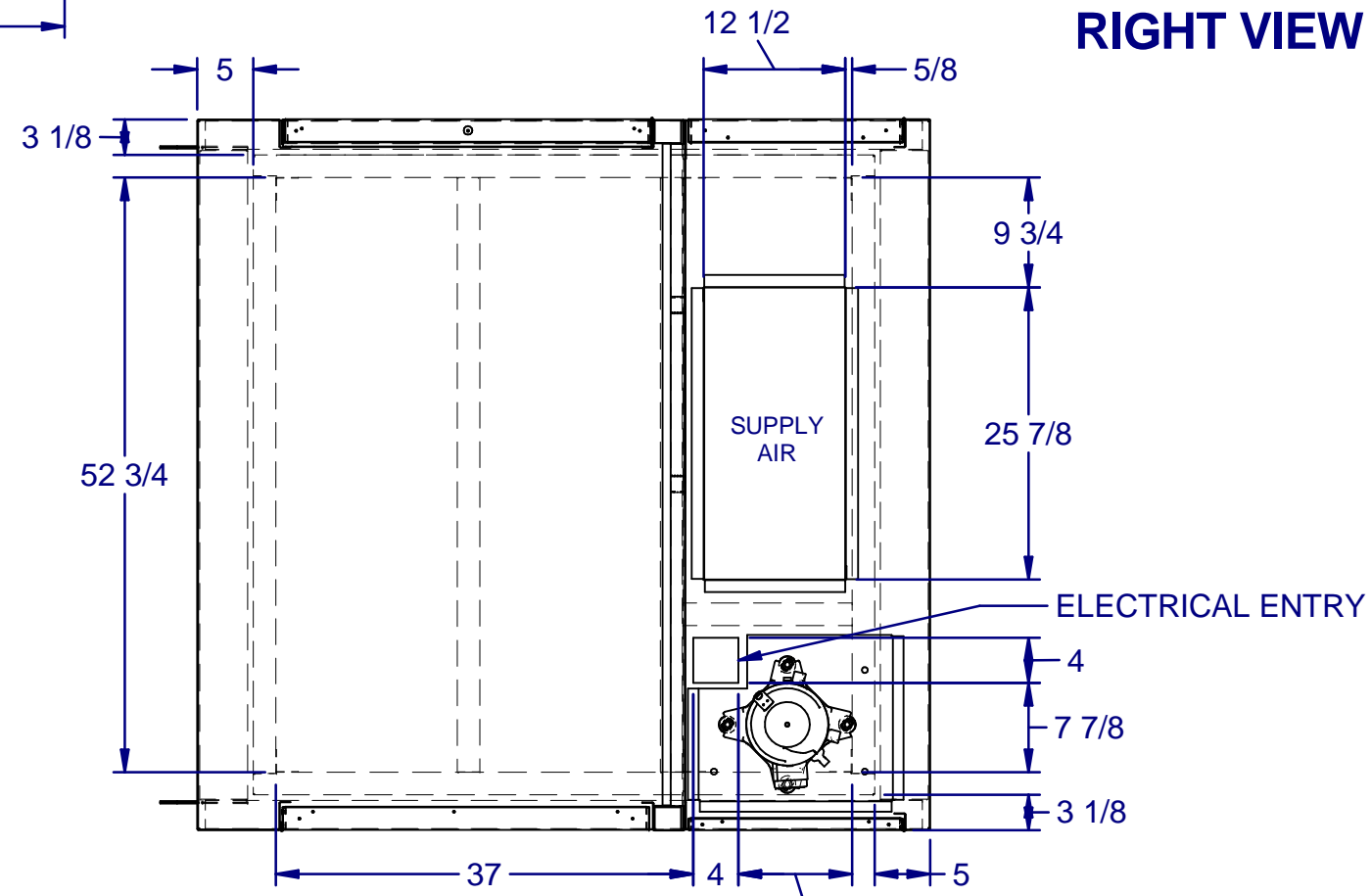
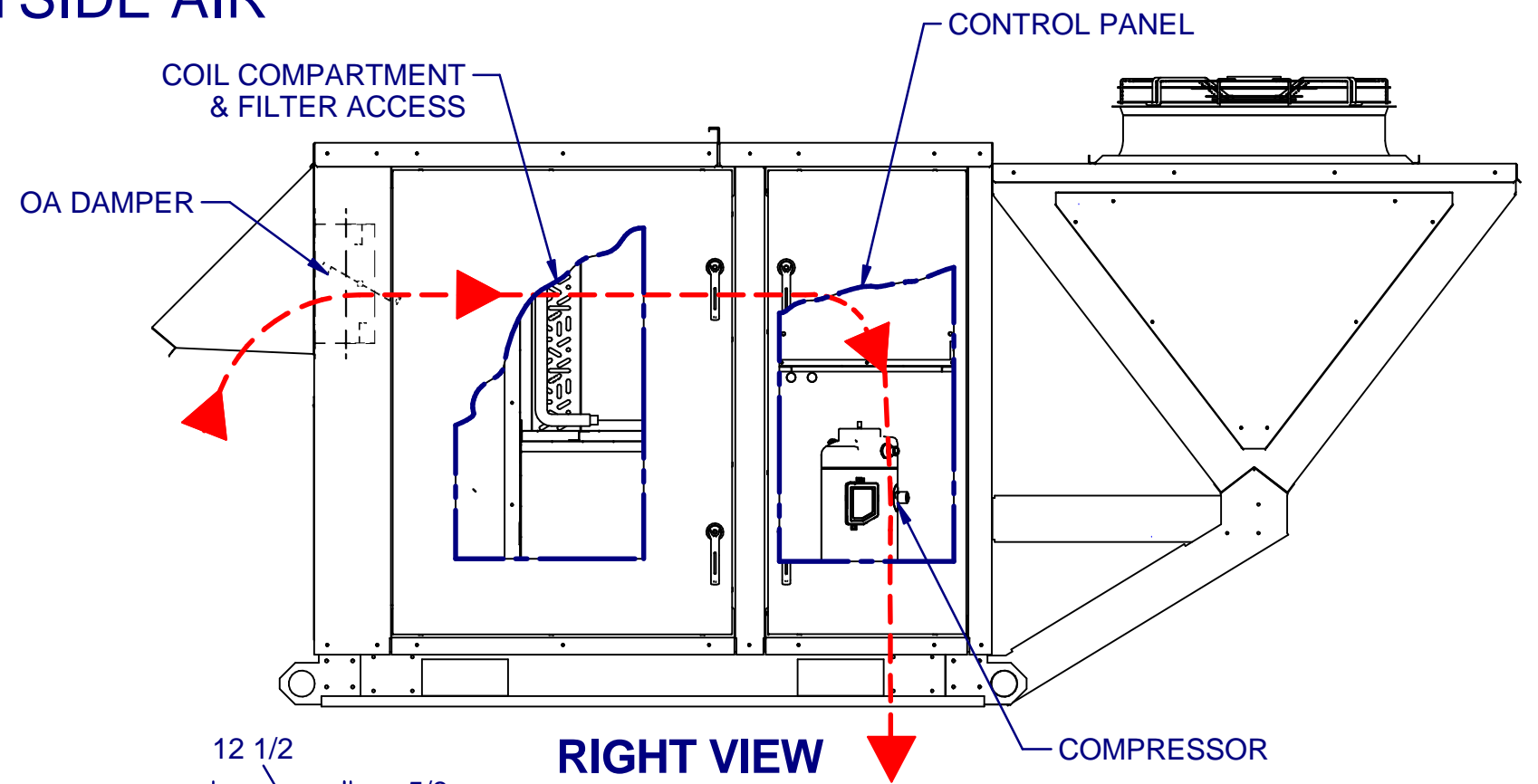


100% OUTSIDE AIR



FRONT VIEW



TOP PLAN VIEW
CONDENSING SIDE
NOT SHOWN

DRAWING NUMBER: 05041-2478-4	12/21/2015
TITLE: PR A2 CAB NO EXH	1 OF 1