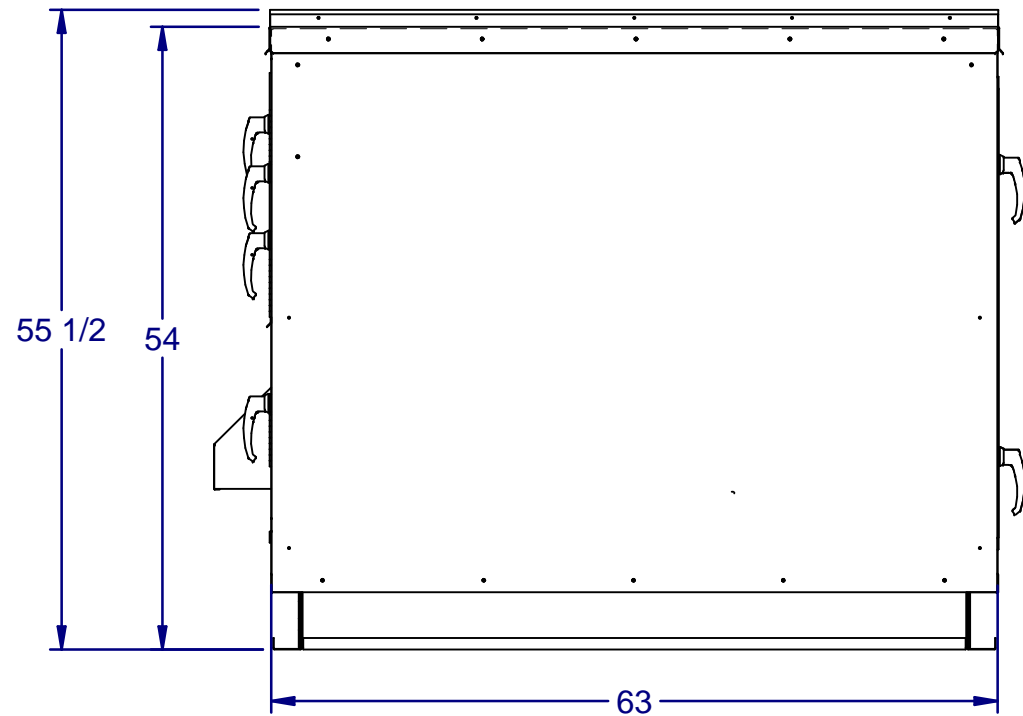
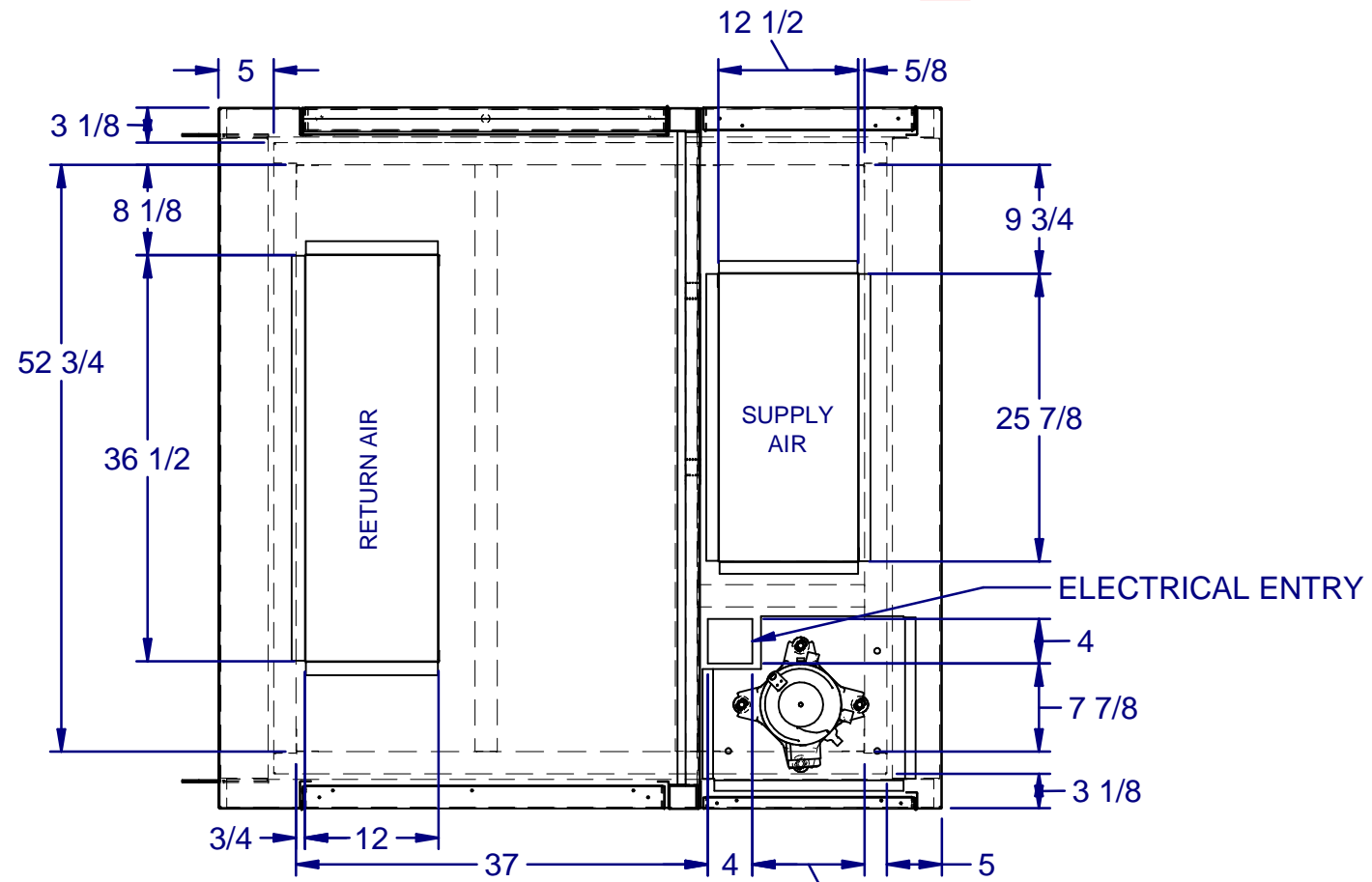
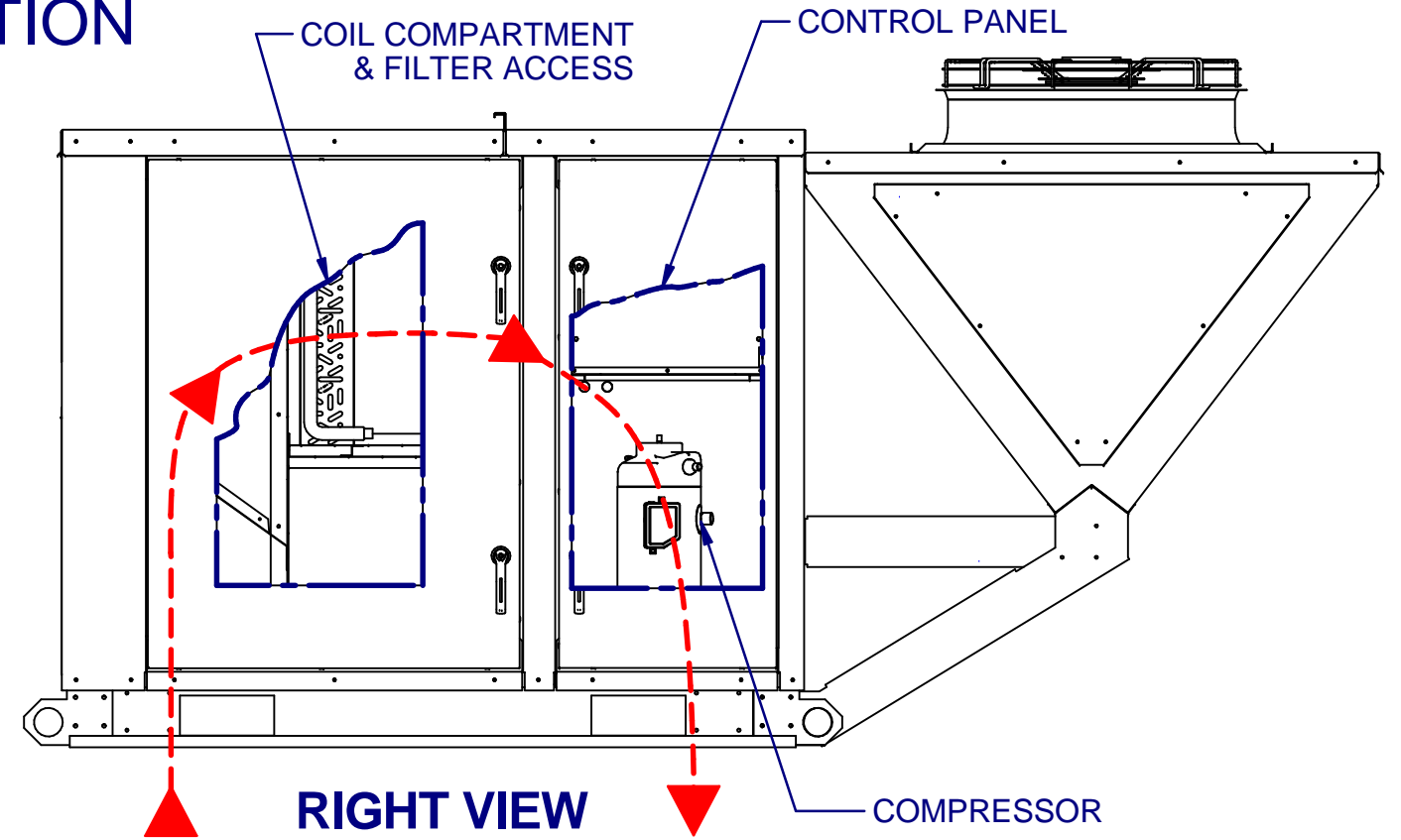


RECIRCULATING OPTION



FRONT VIEW



**TOP PLAN VIEW
CONDENSING SIDE
NOT SHOWN**

DRAWING NUMBER: 05041-2478-5	9/28/2016
TITLE: PR A2 CAB NO EXH	1 OF 1