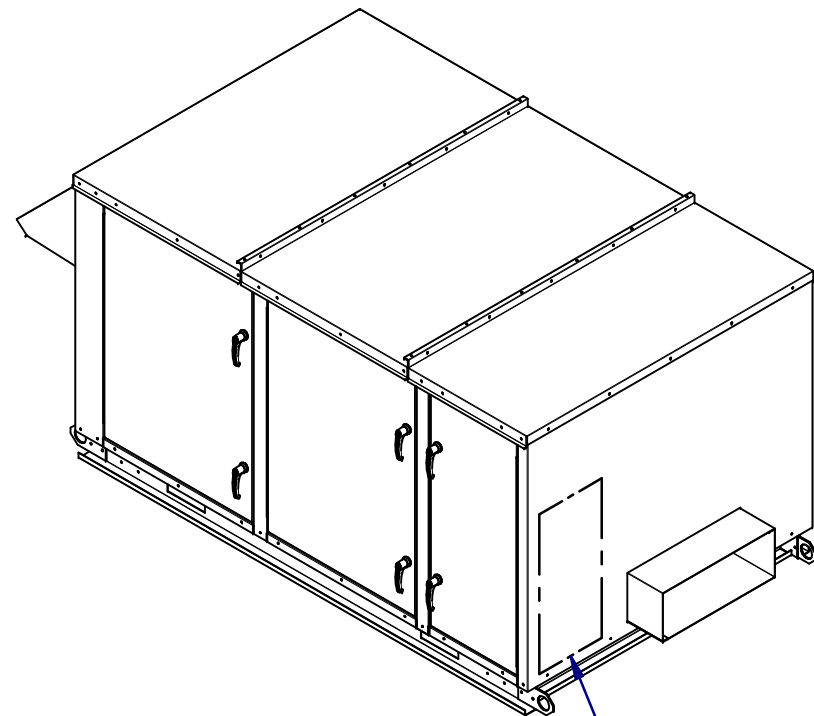
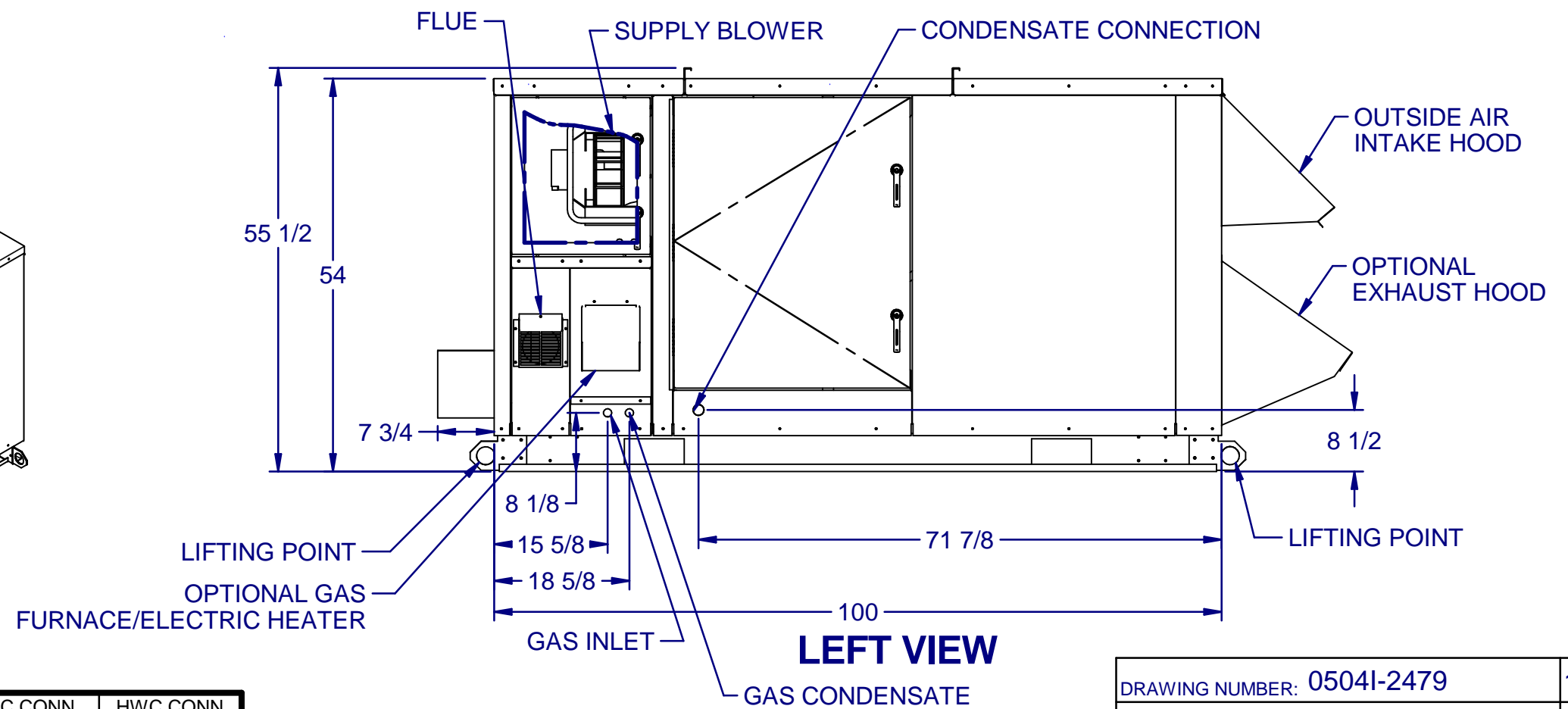


TOP VIEW



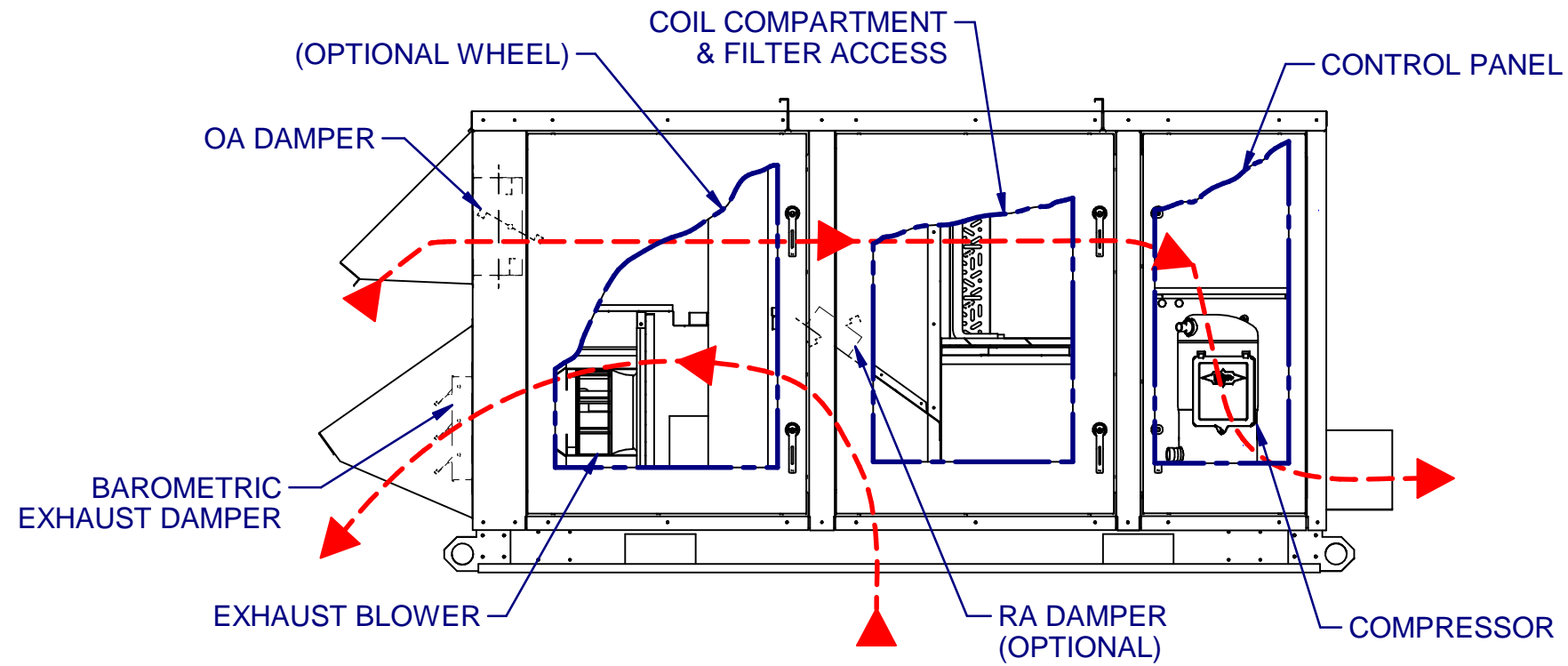
OPTIONAL DISCONNECT LOCATION



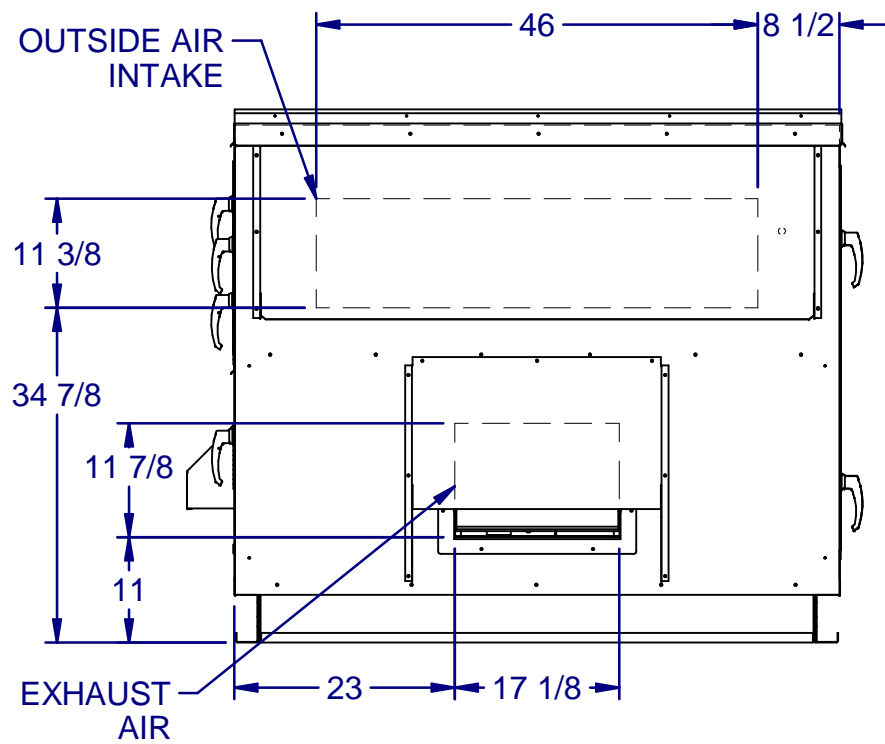
LEFT VIEW

COND. CONN.	GAS COND. CONN.	GAS INLET CONN.	CWC CONN.	HWC CONN.
3/4" Ø SLIP CONN.	1/2" Ø FPT	75-100 MBH - 1/2" Ø NPT	1 3/8" Ø	N/A

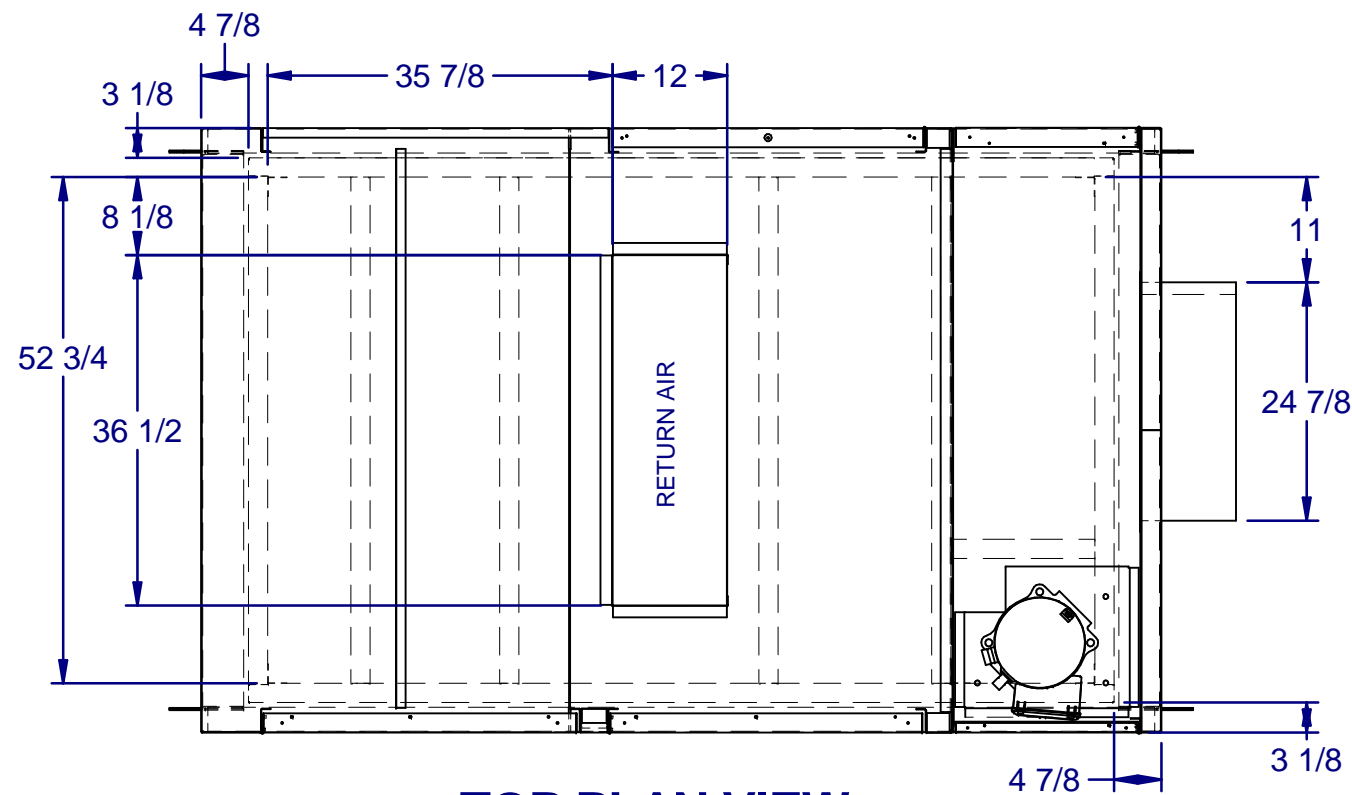
DRAWING NUMBER: 05041-2479	12/21/2015
TITLE: PR F A CAB HOR	1 OF 2



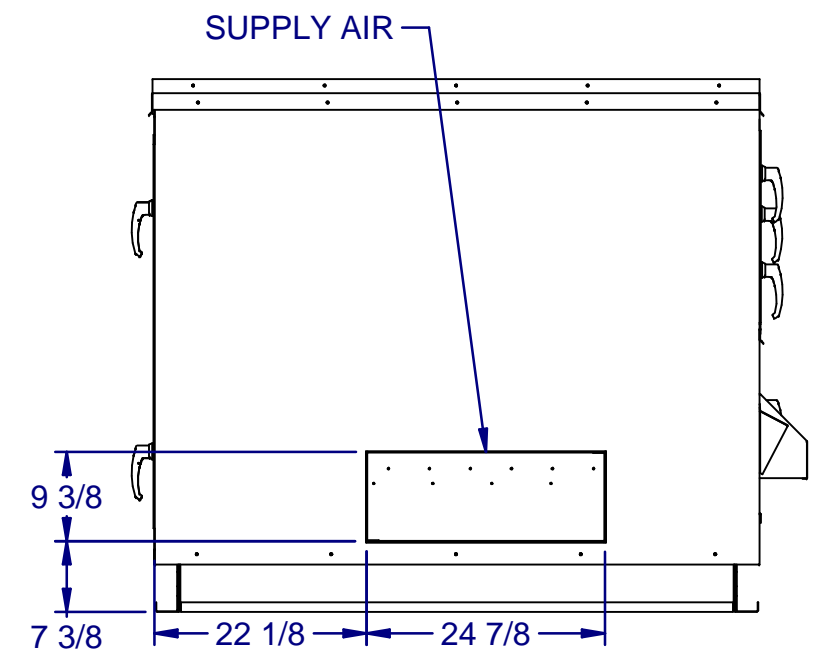
RIGHT VIEW



FRONT VIEW



TOP PLAN VIEW



BACK VIEW

DRAWING NUMBER: 05041-2479	12/21/2015
TITLE: PR F A CAB HOR	2 OF 2