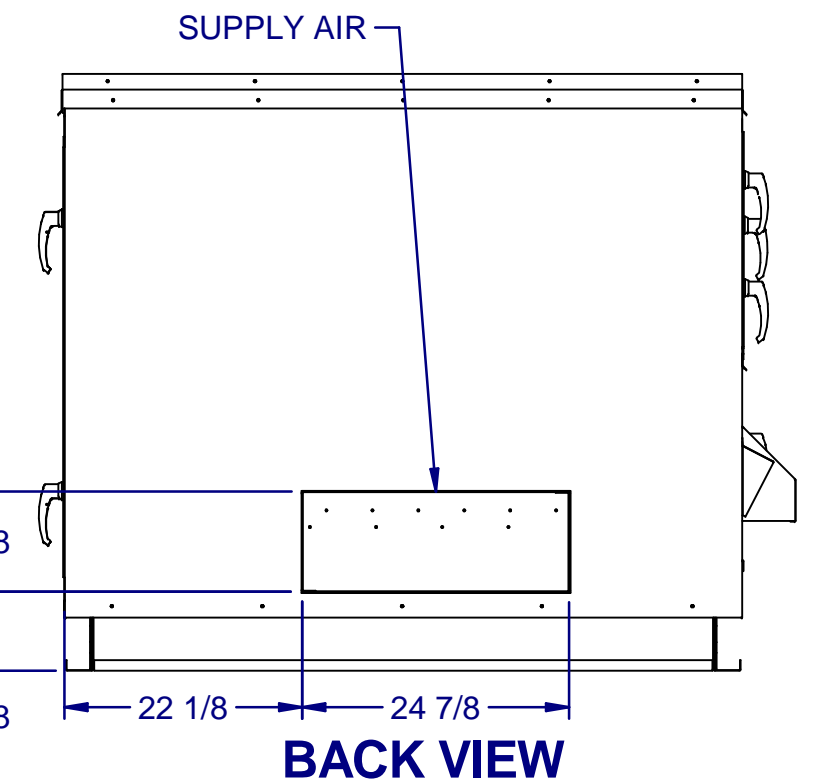
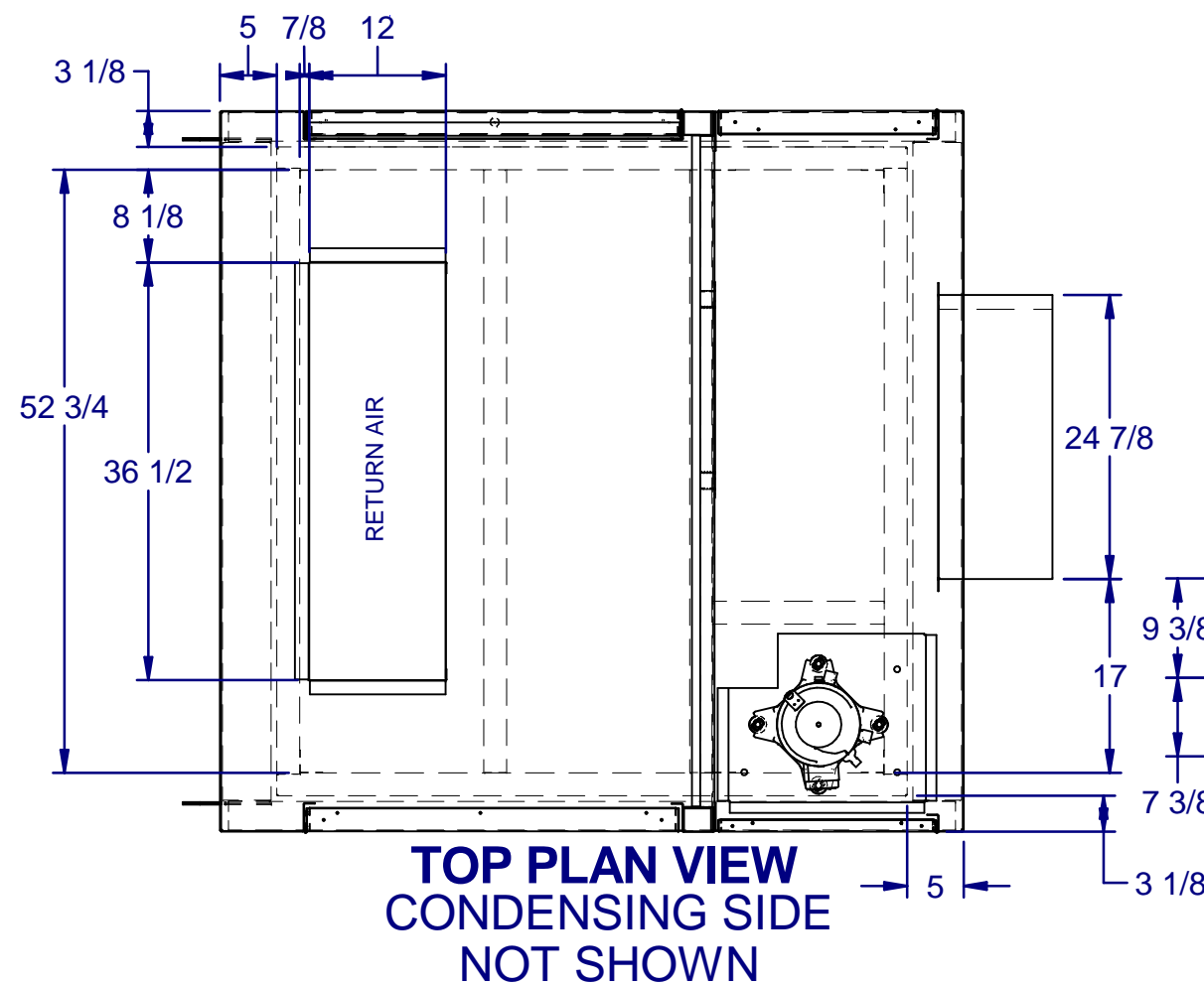
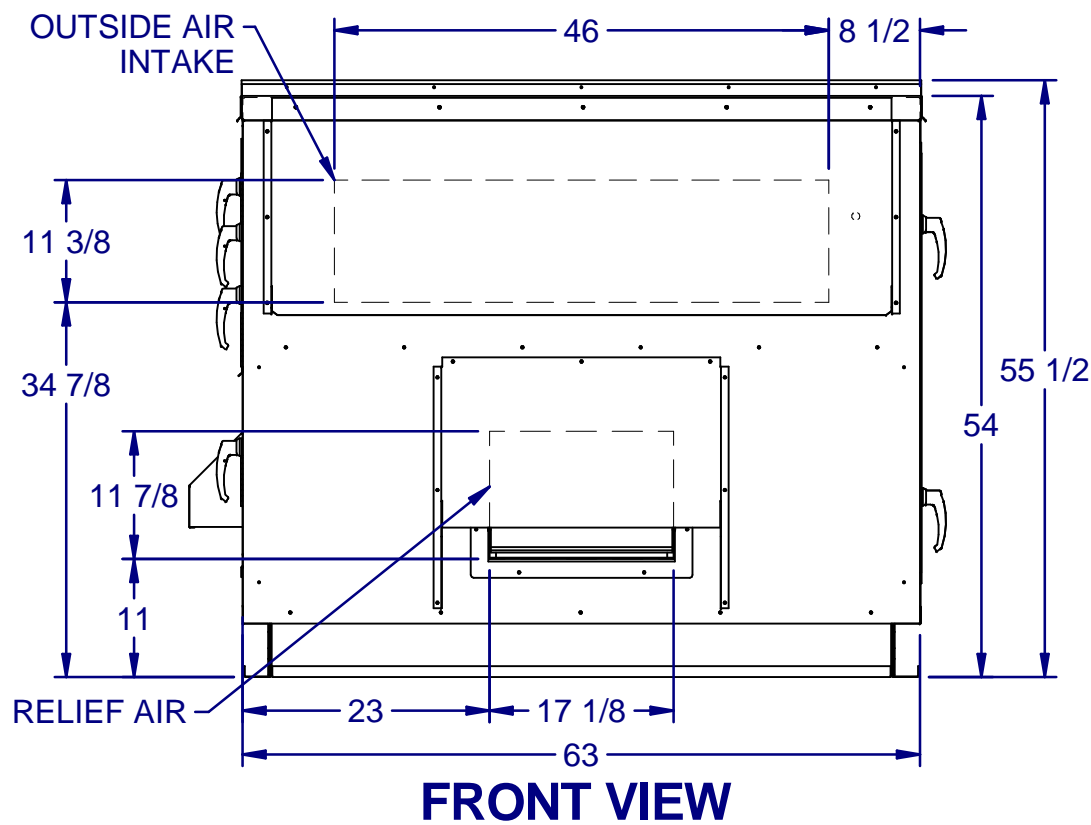
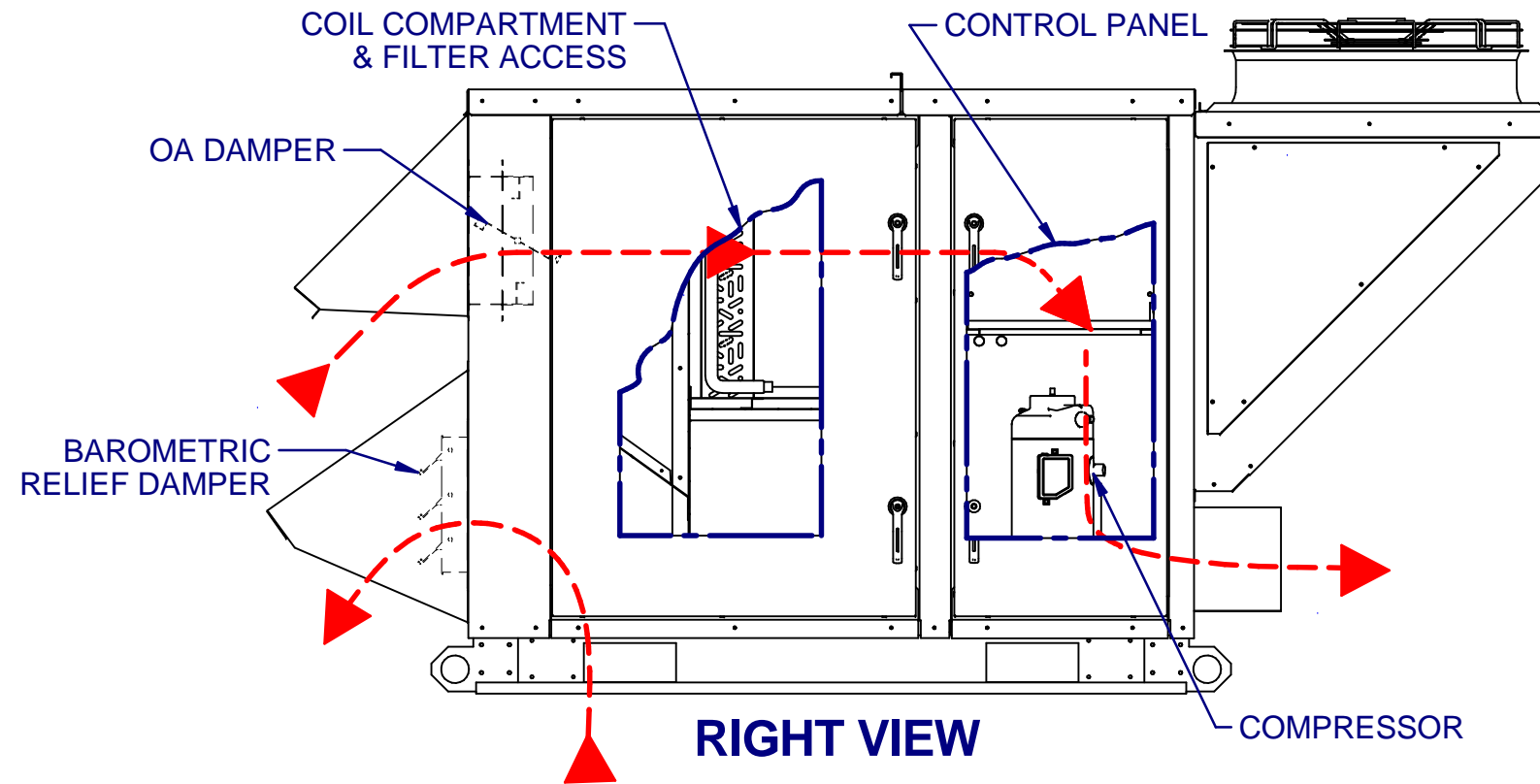


100% OUTSIDE AIR WITH BAROMETRIC RELIEF



DRAWING NUMBER: 05041-2484-2	12/29/2020
TITLE: PR A1 CAB NO EXH HOR	1 OF 1