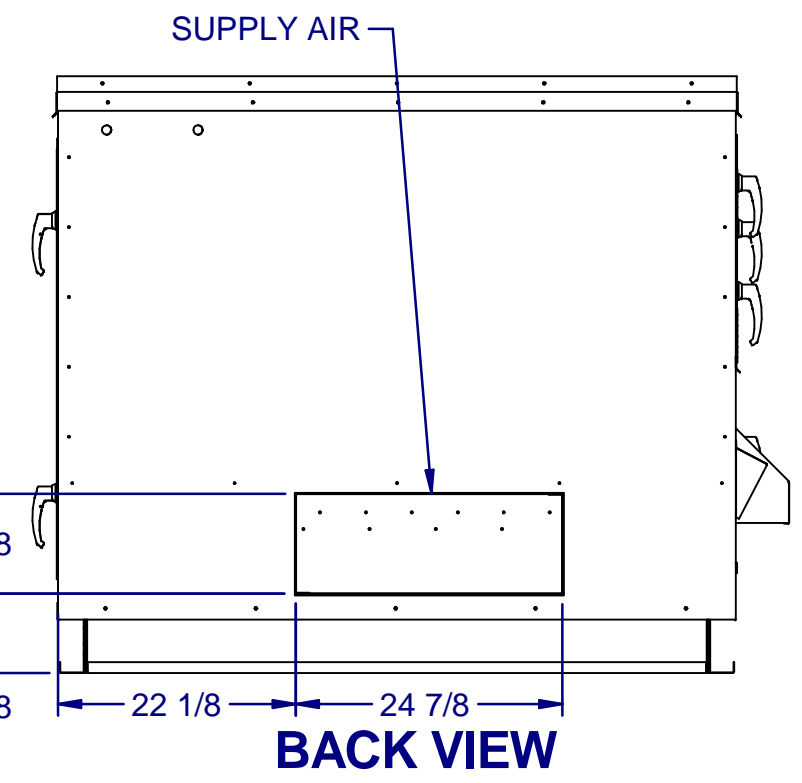
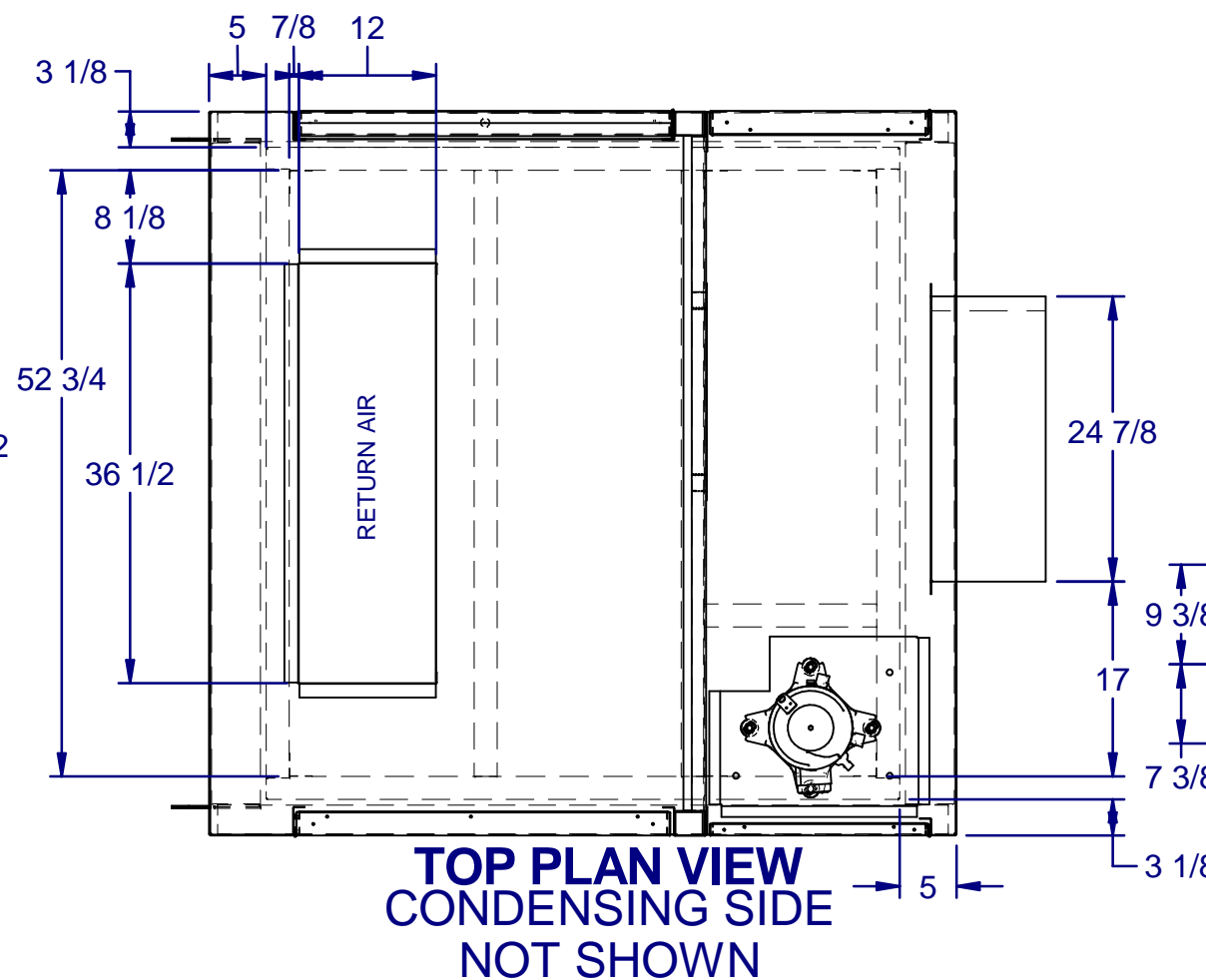
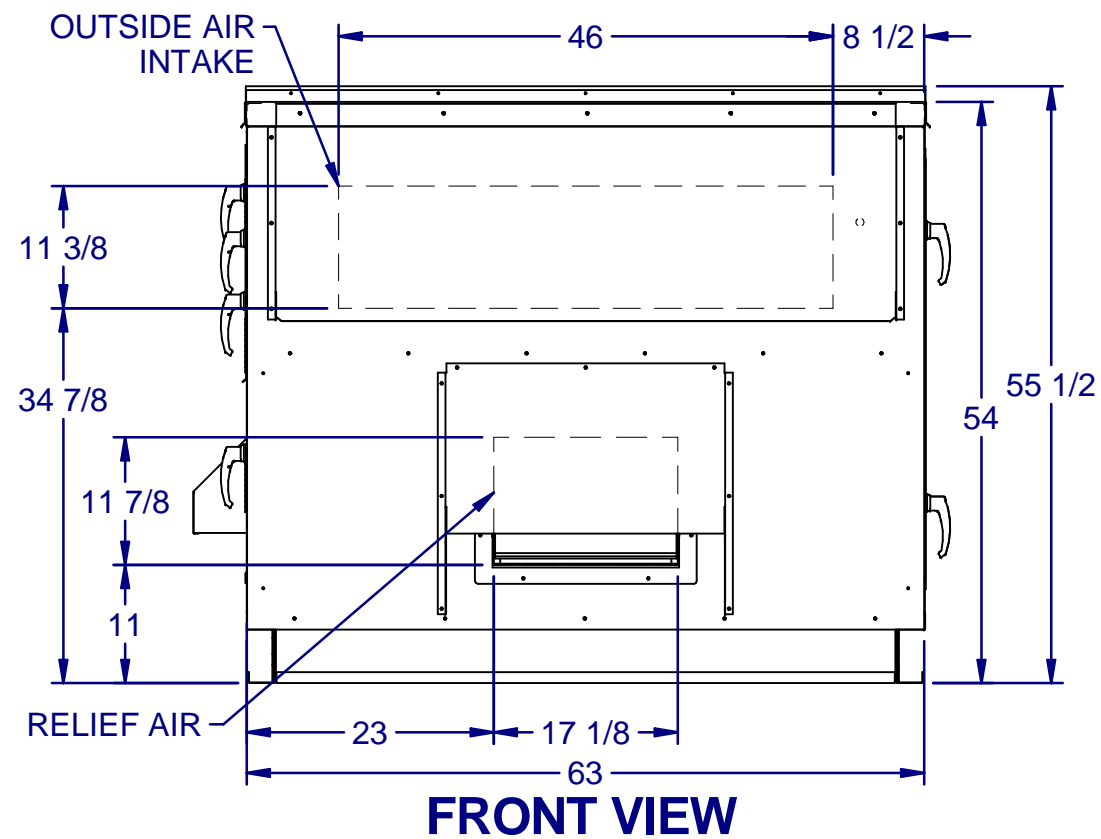
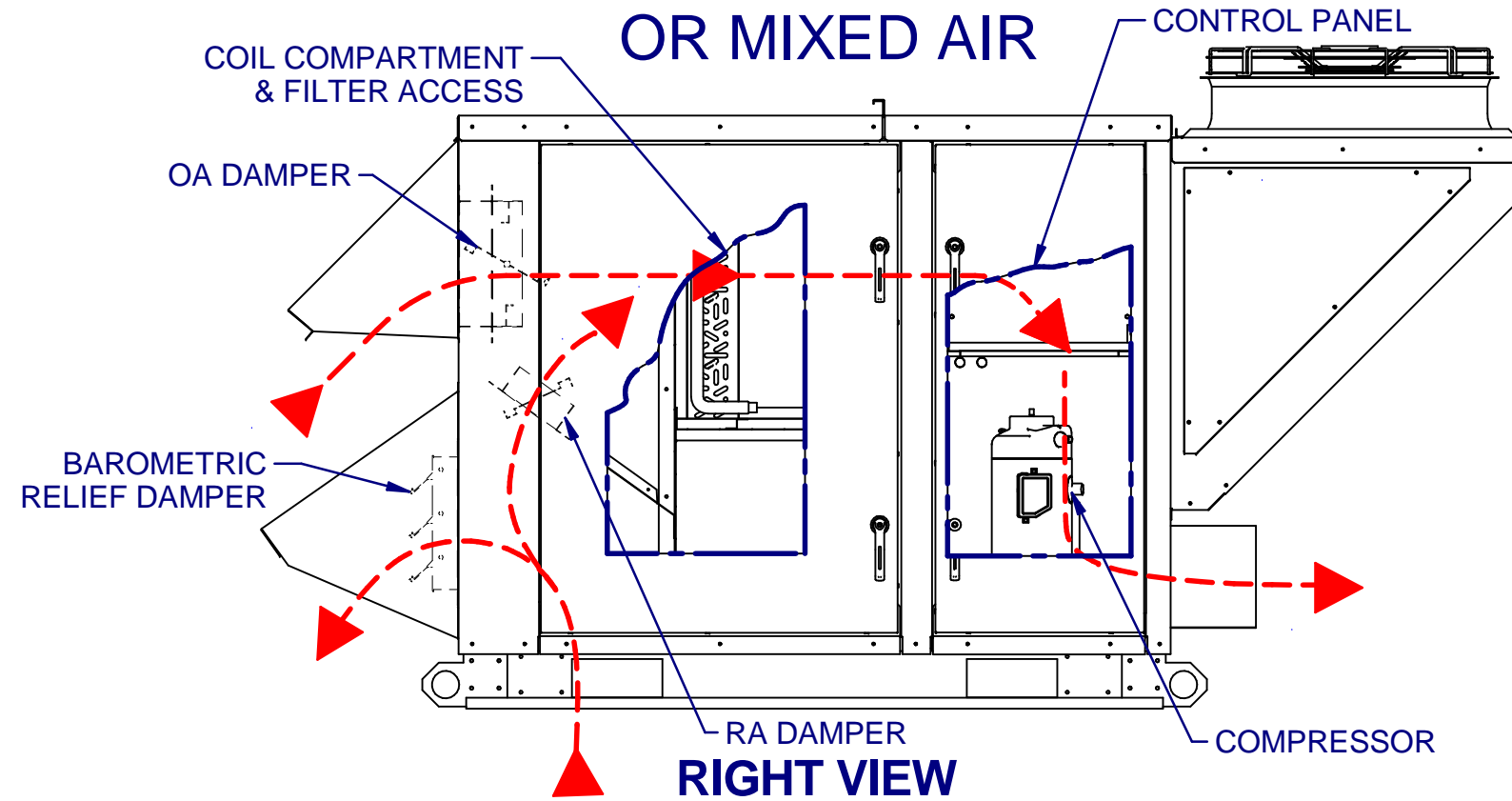


100% OUTSIDE AIR WITH RECIRCULATING OPTION OR MIXED AIR



DRAWING NUMBER: 05041-2484-3	12/29/2020
TITLE: PR A1 CAB NO EXH HOR	1 OF 1