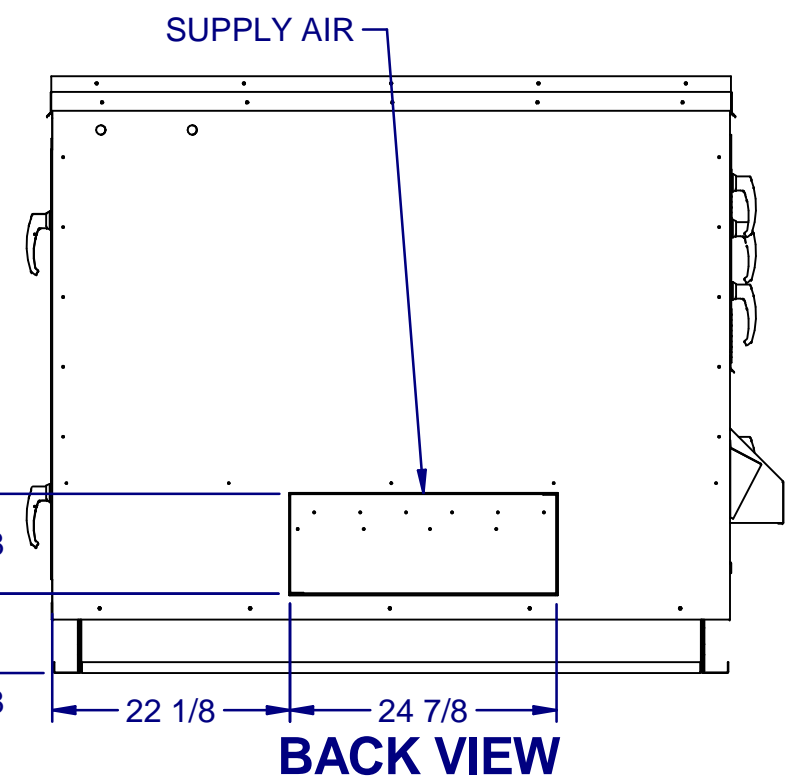
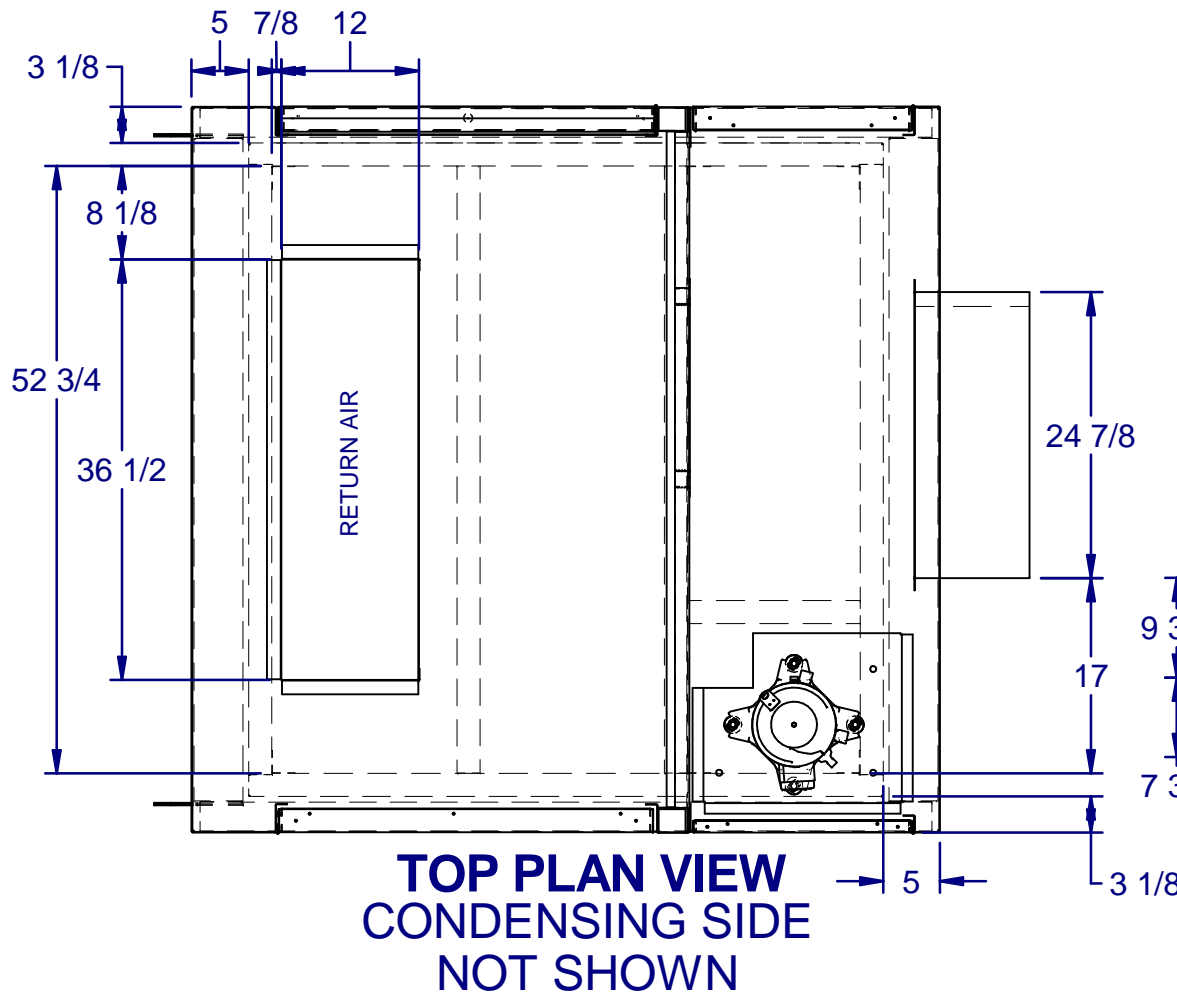
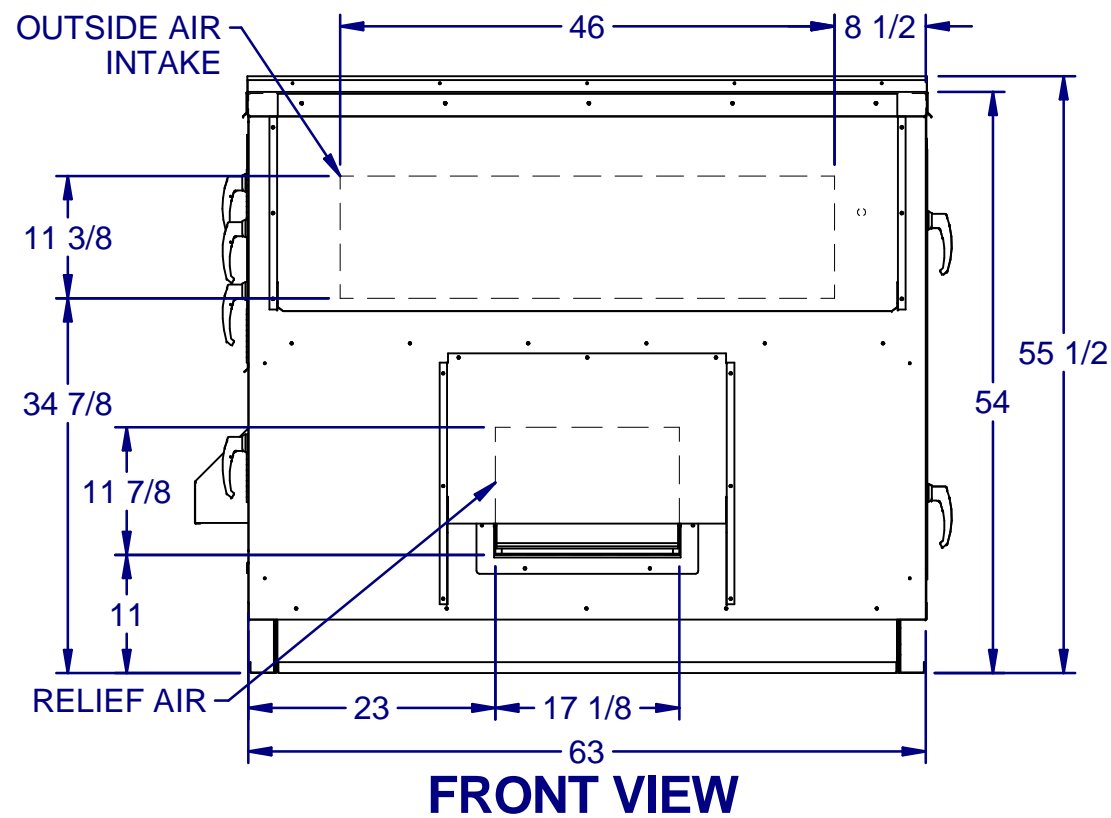
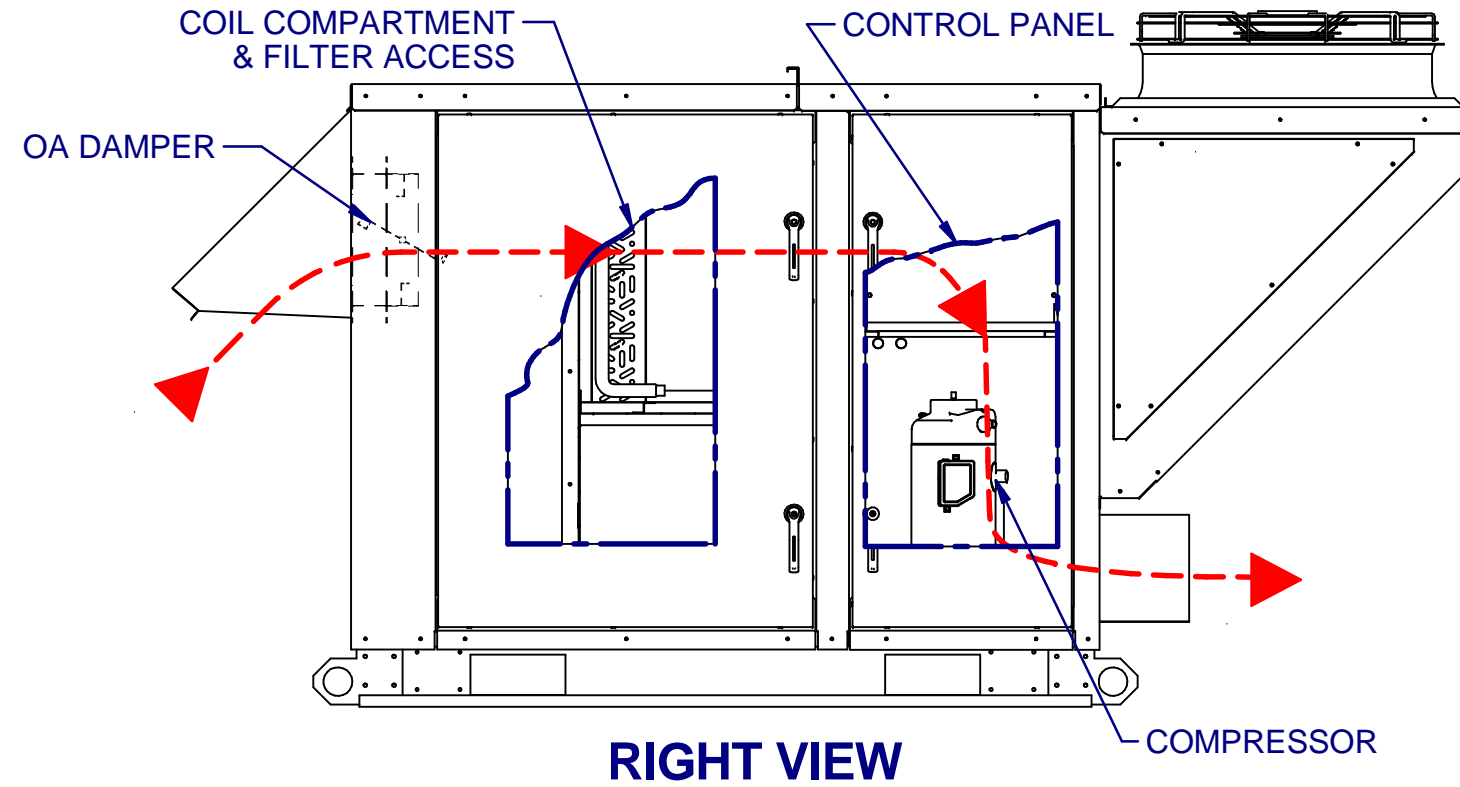


100% OUTSIDE AIR



DRAWING NUMBER: 05041-2484-4	12/29/2020
TITLE: PR A1 CAB NO EXH HOR	1 OF 1