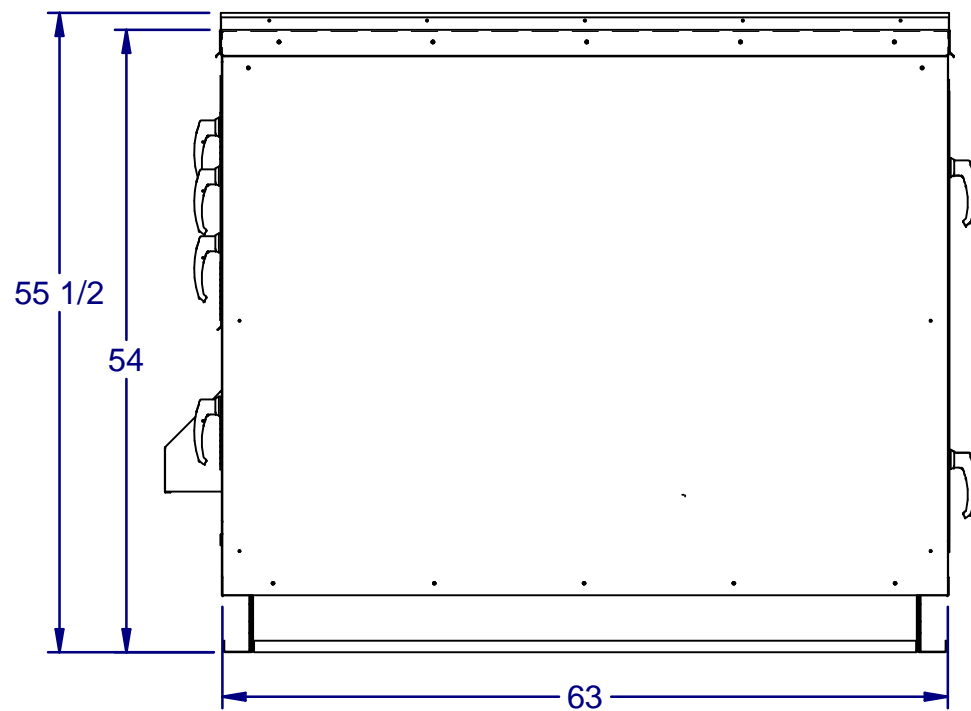
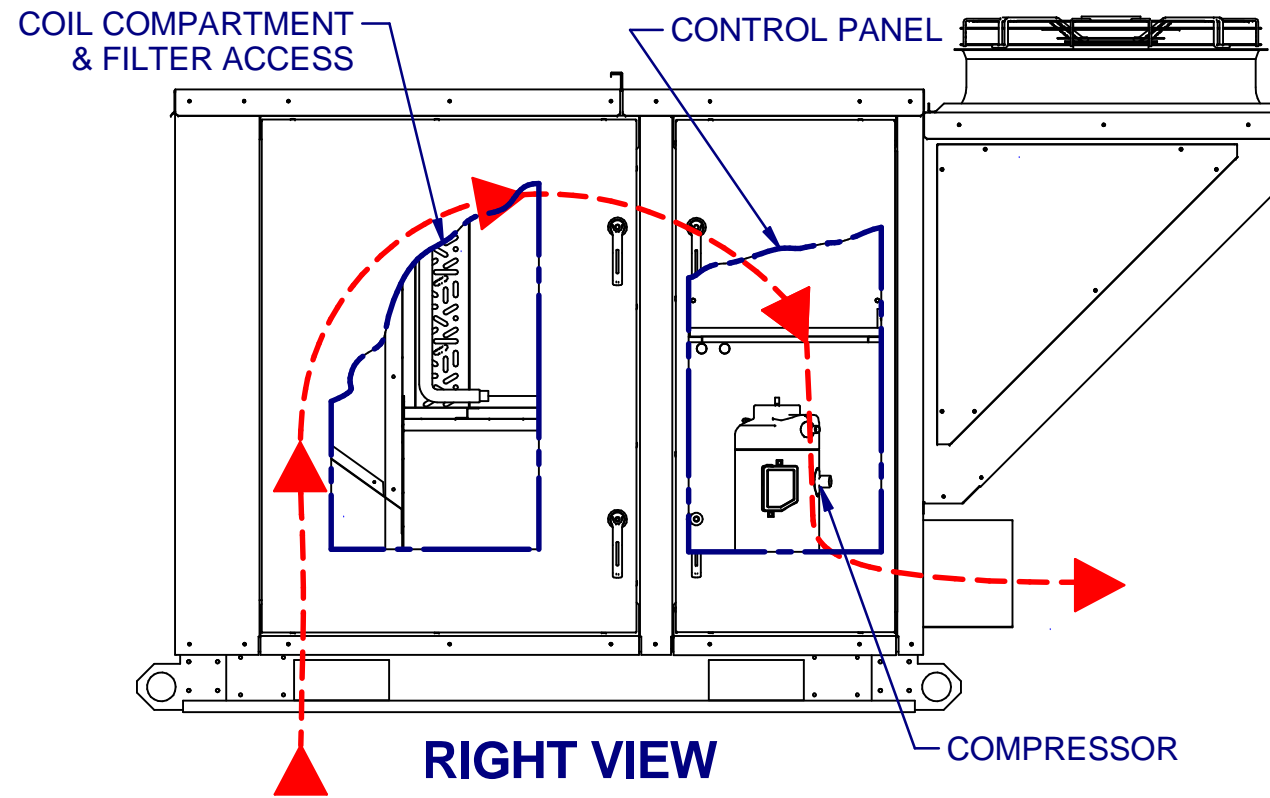
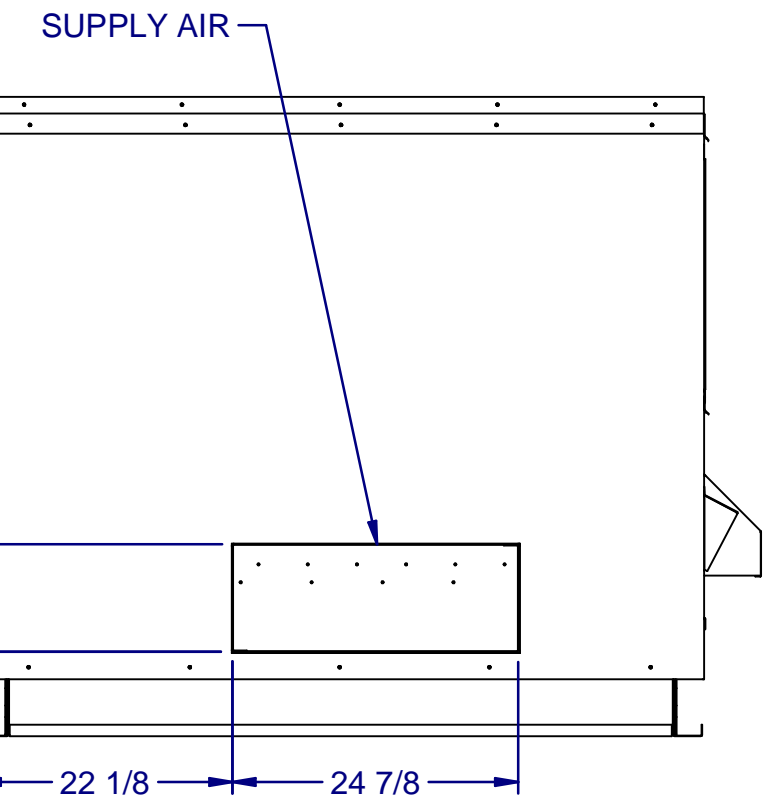
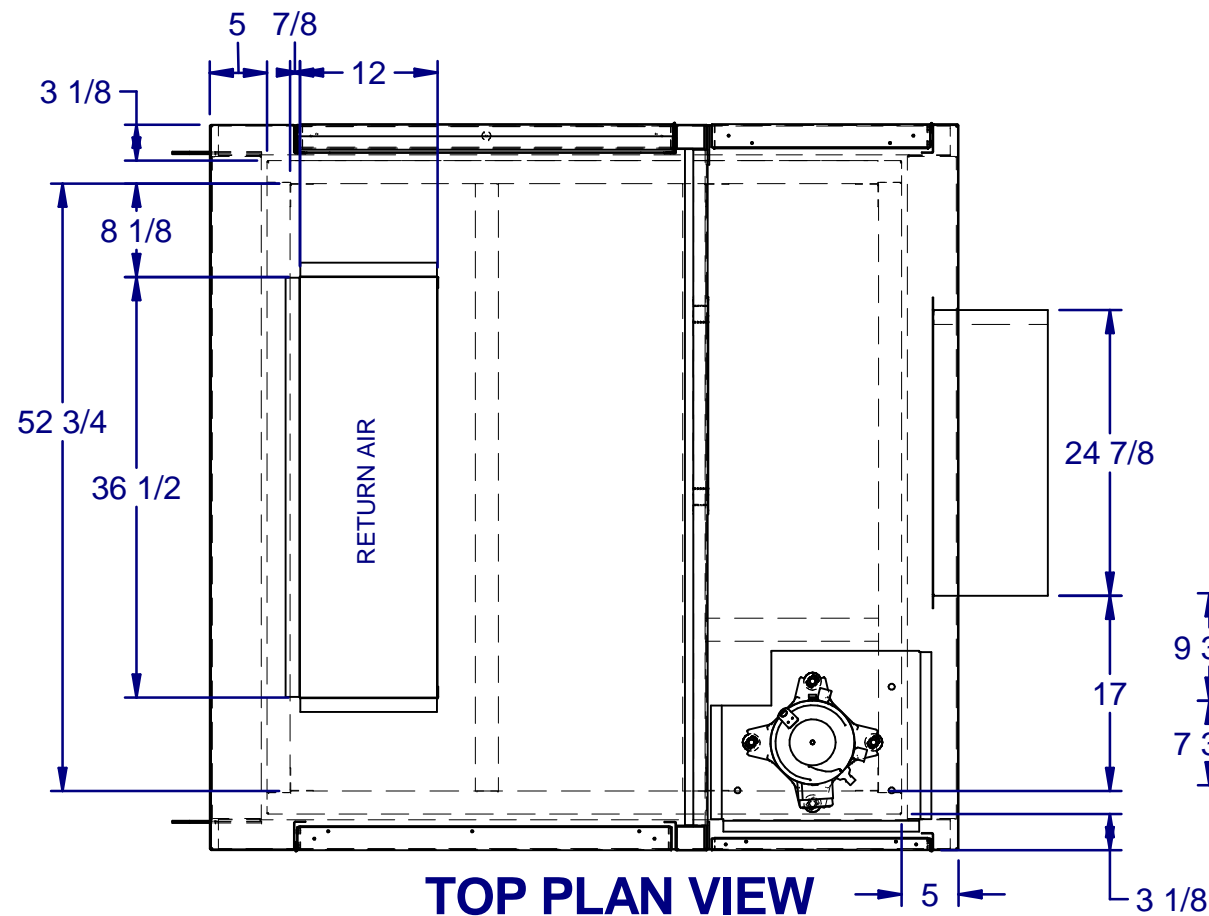


# RECIRCULATING OPTION



**FRONT VIEW**



**BACK VIEW**

DRAWING NUMBER: 05041-2484-5	12/29/2020
TITLE: PR A1 CAB NO EXH HOR	1 OF 1