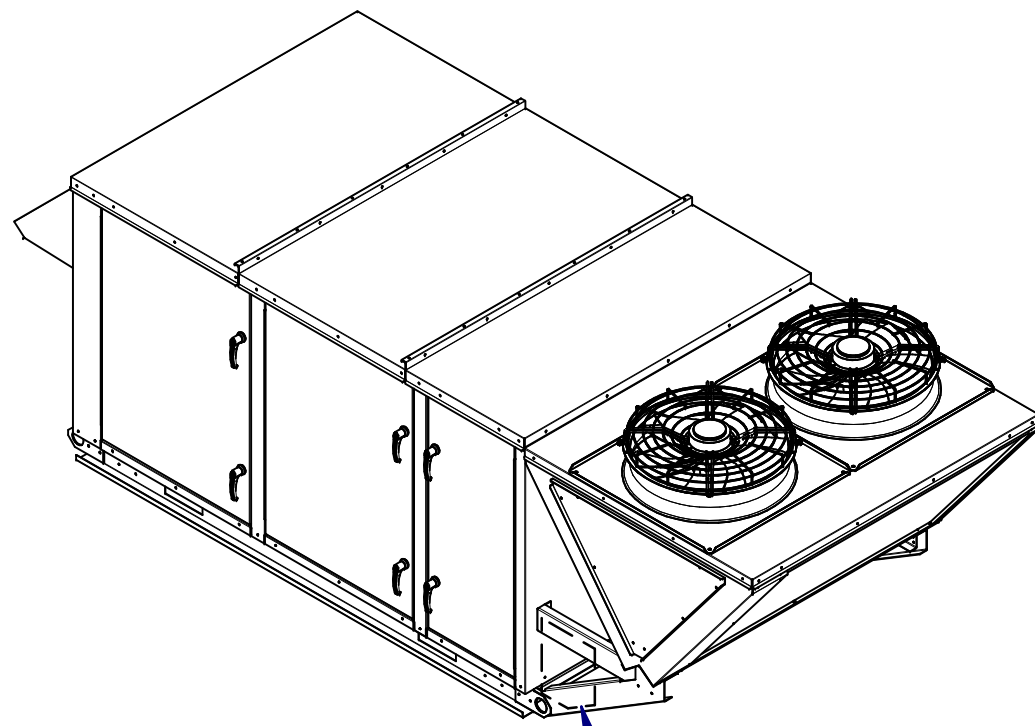
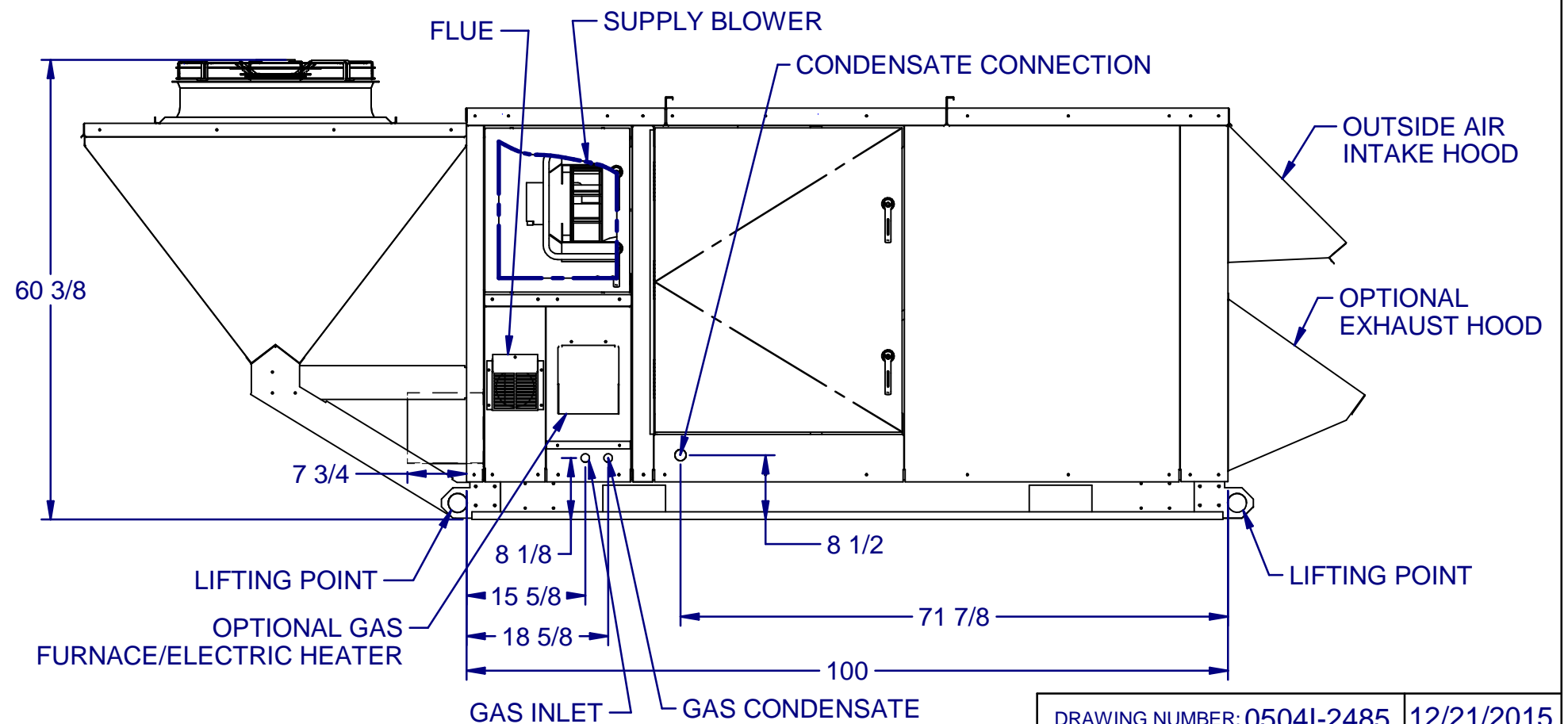


**TOP VIEW**



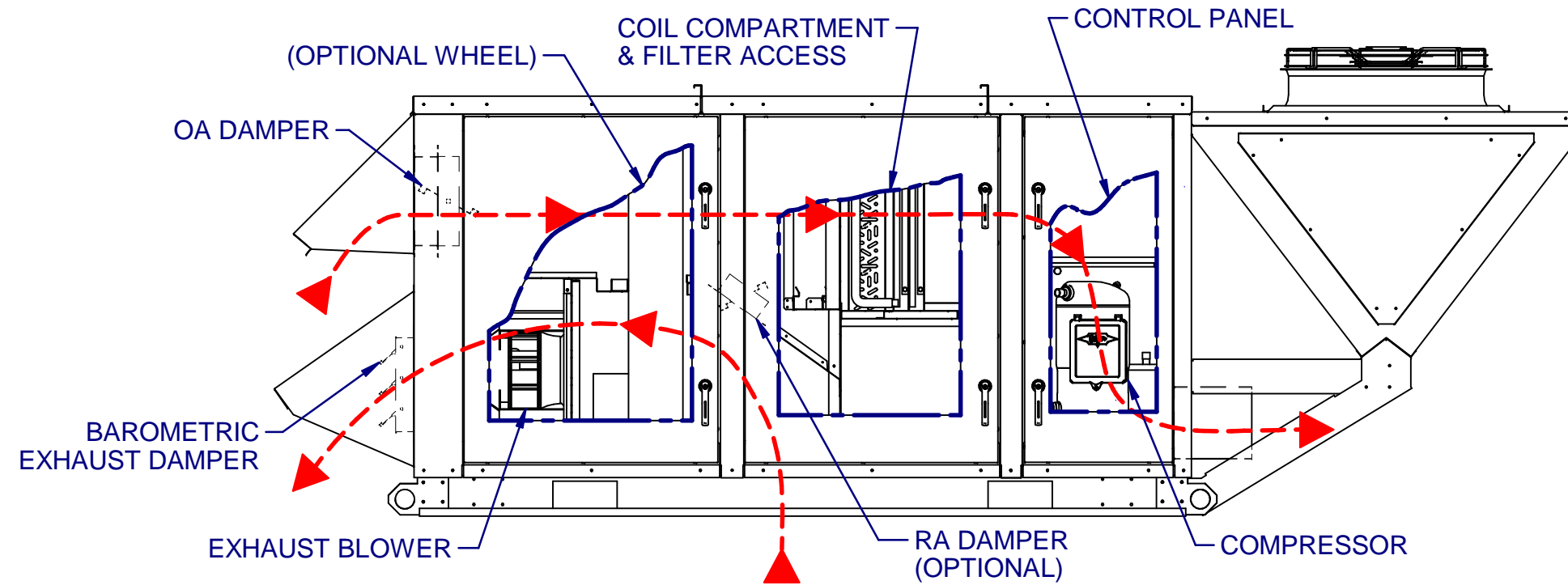
OPTIONAL DISCONNECT LOCATION



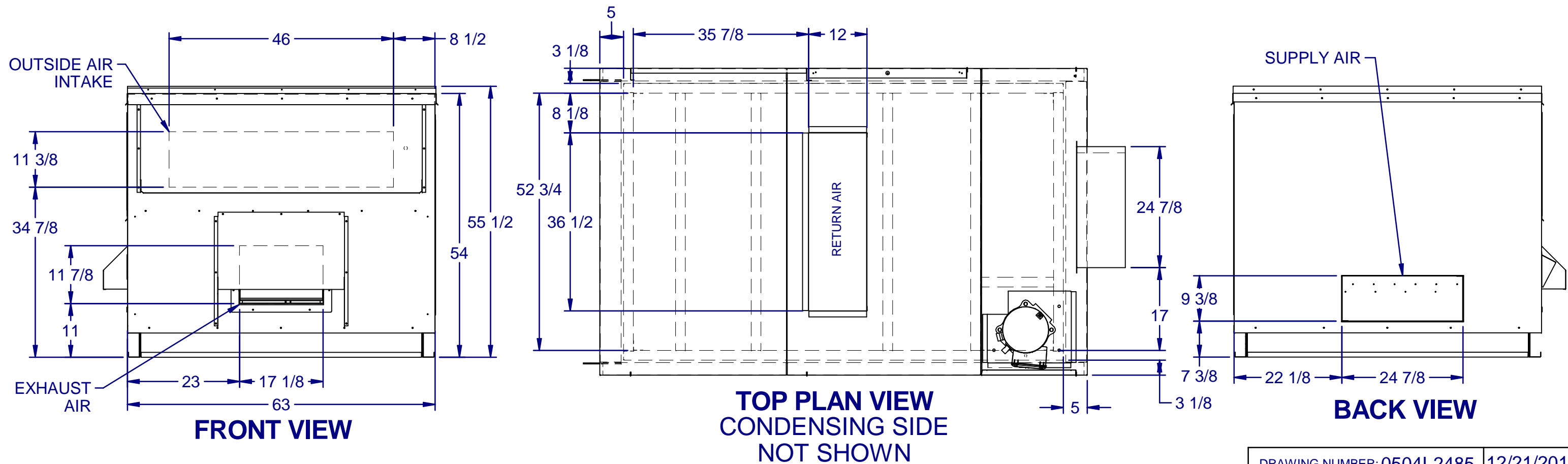
**LEFT VIEW**

COND. CONN.	GAS COND. CONN.	GAS INLET CONN.	CWC CONN.	HWC CONN.
3/4" Ø SLIP CONN.	1/2" Ø FPT	75-100 MBH - 1/2" Ø NPT	1 3/8" Ø	N/A

DRAWING NUMBER: 05041-2485	12/21/2015
TITLE: PR A2 CAB HOR	1 OF 2



**RIGHT VIEW**



**FRONT VIEW**

**TOP PLAN VIEW  
CONDENSING SIDE  
NOT SHOWN**

**BACK VIEW**

DRAWING NUMBER: 0504I-2485	12/21/2015
TITLE: PR A2 CAB HOR	2 OF 2