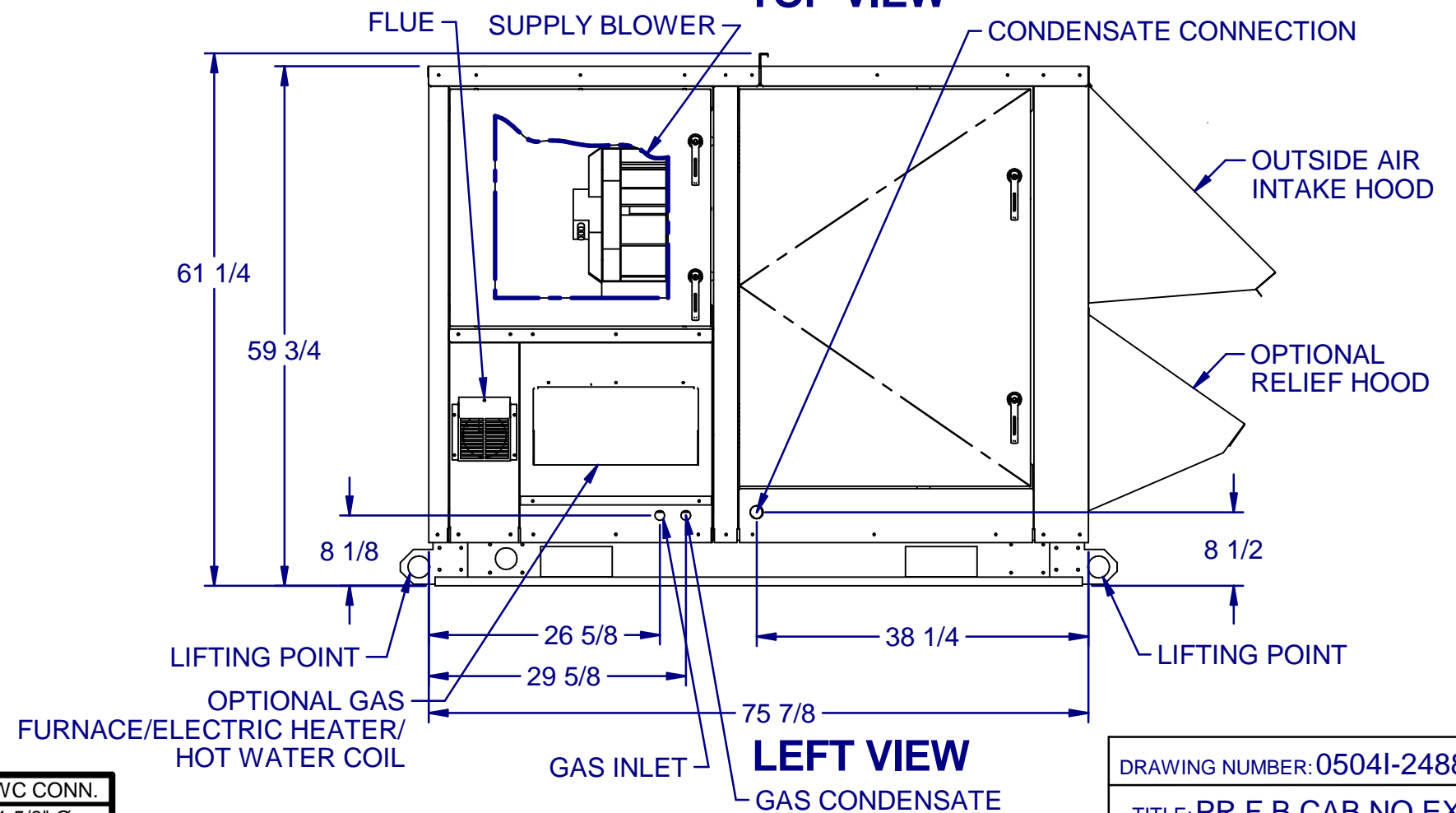


OPTIONAL DISCONNECT LOCATION



| COND. CONN. | GAS COND. CONN. | GAS INLET CONN. | CWC CONN. | HWC CONN. |
|-------------------|-----------------|------------------------------|-----------------|-----------|
| 3/4" Ø SLIP CONN. | 1/2" Ø FPT | 75-200 MBH - 1/2"-3/4" Ø NPT | 1 3/8"-1 5/8" Ø | 1 5/8" Ø |

| | |
|------------------------------|------------|
| DRAWING NUMBER: 05041-2488-1 | 12/21/2015 |
| TITLE: PR F B CAB NO EXH | 1 OF 1 |