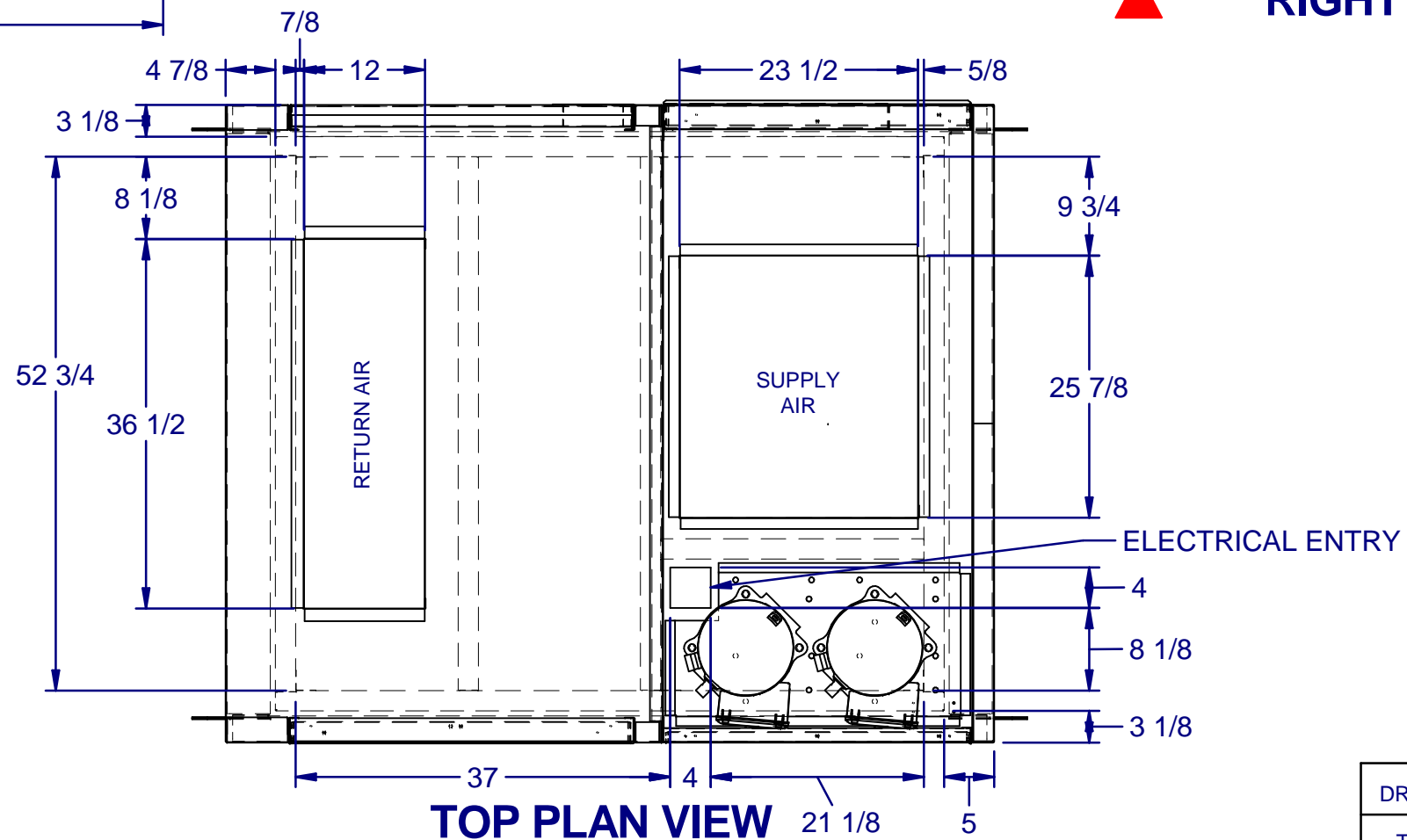
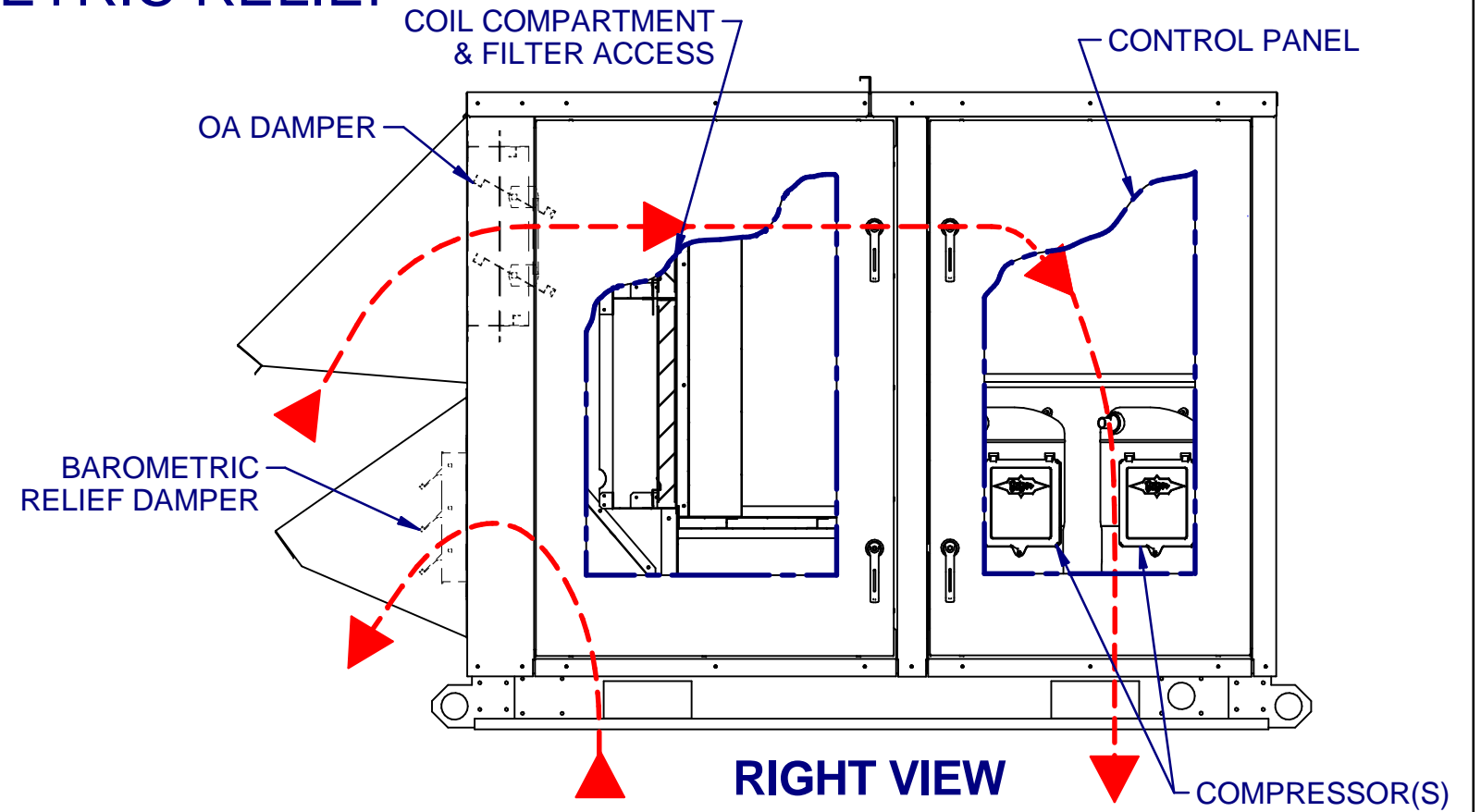
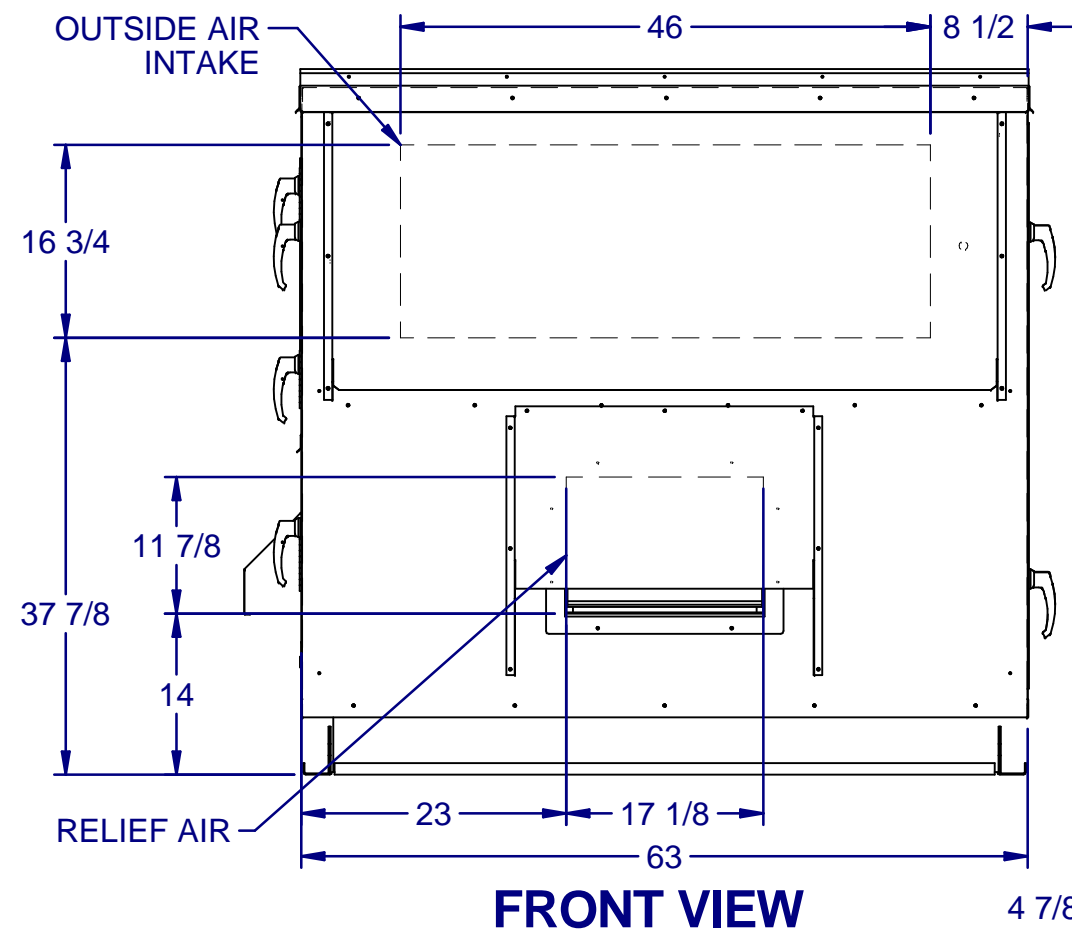


100% OUTSIDE AIR WITH BAROMETRIC RELIEF



DRAWING NUMBER: 05041-2488-2	12/21/2015
TITLE: PR F B CAB NO EXH	1 OF 1