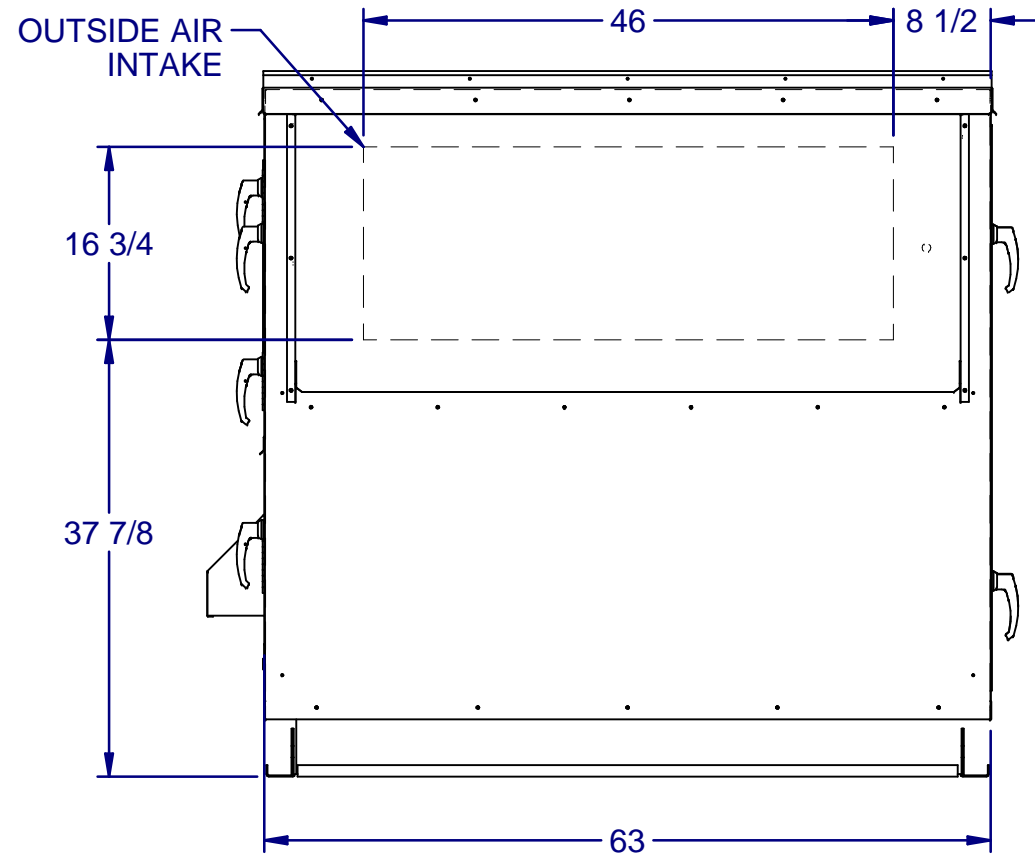
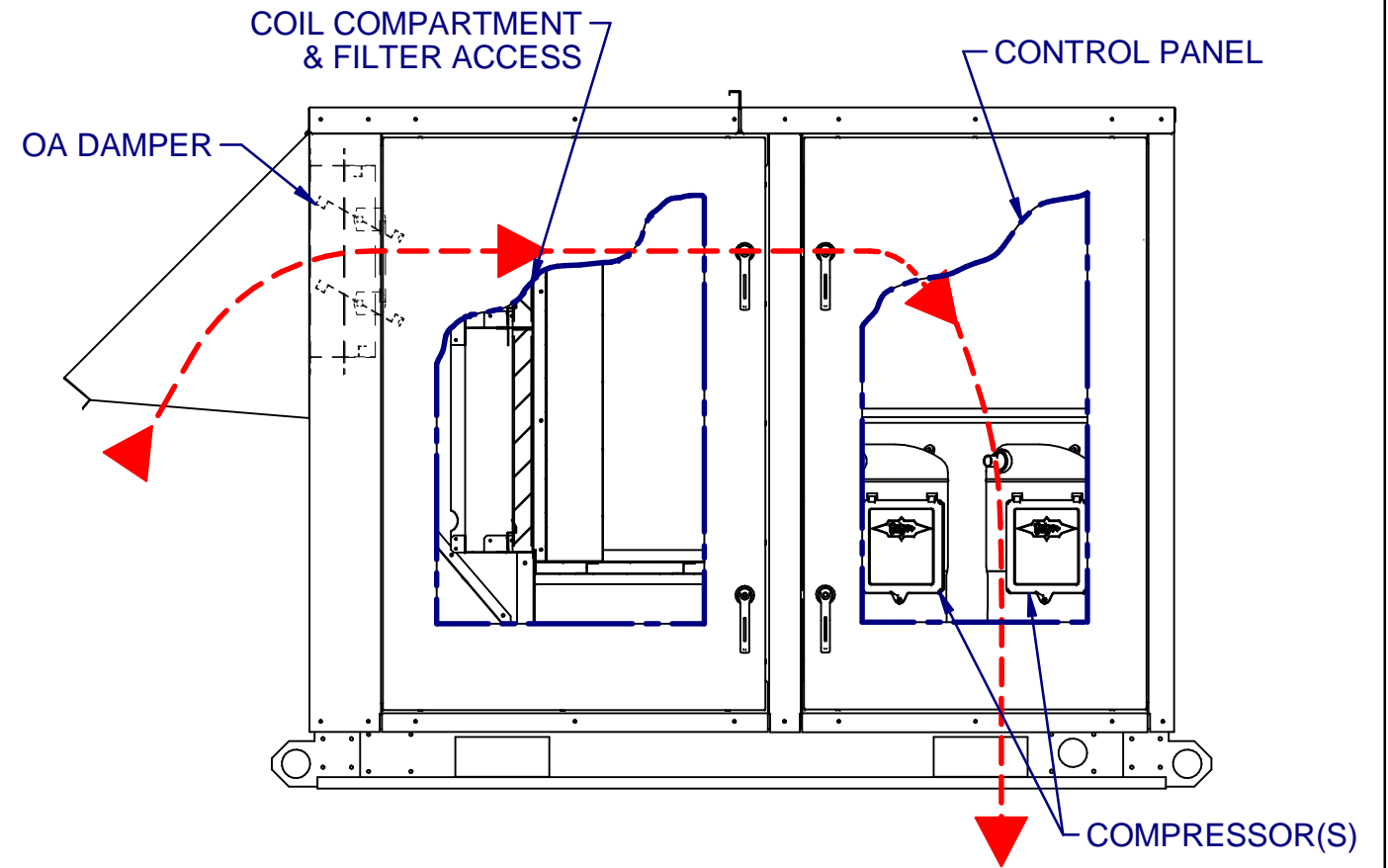


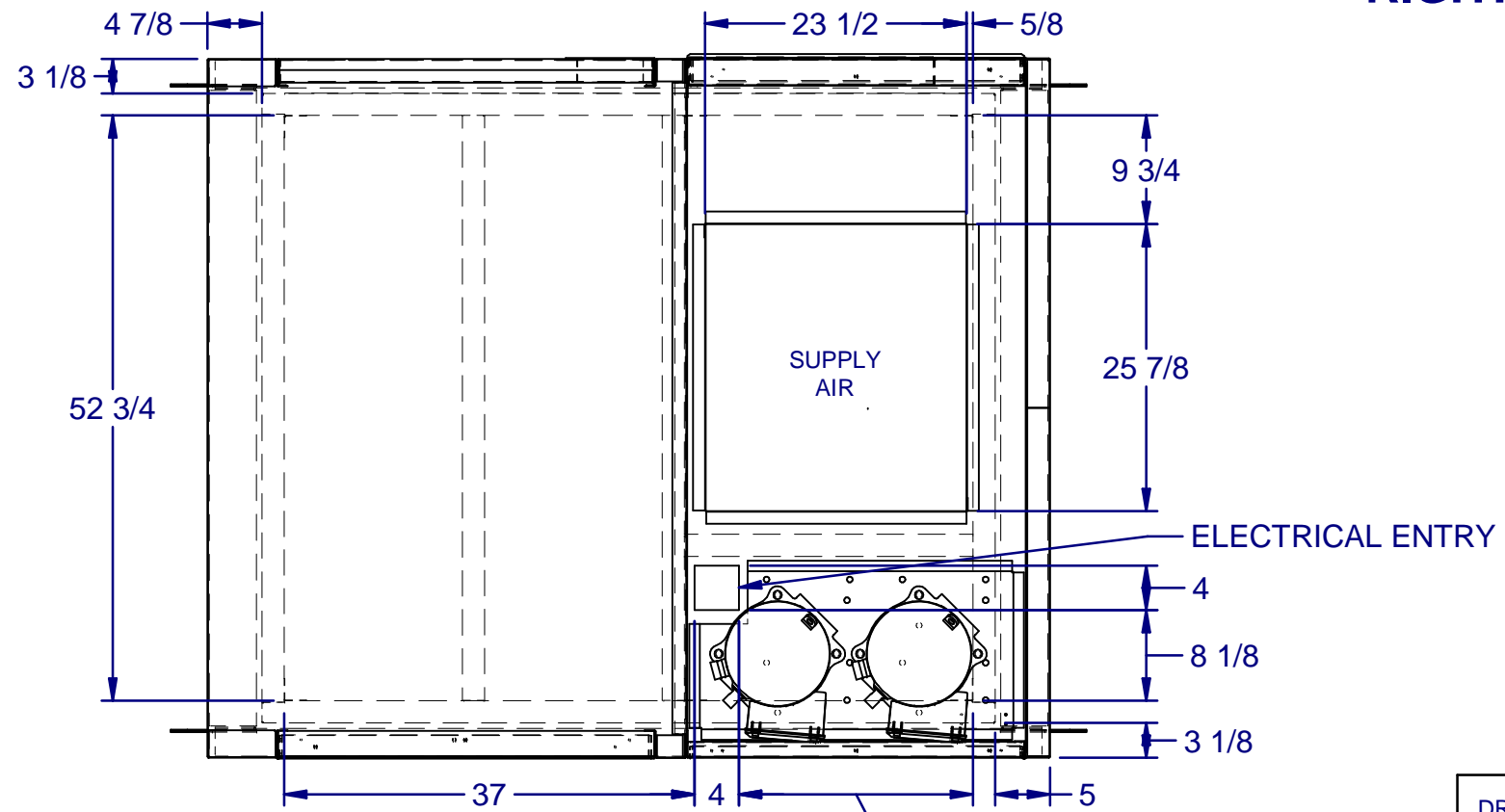
# 100% OUTSIDE AIR



**FRONT VIEW**



**RIGHT VIEW**



**TOP PLAN VIEW**

DRAWING NUMBER: 05041-2488-4	1/6/2021
TITLE: PR F B CAB NO EXH	1 OF 1