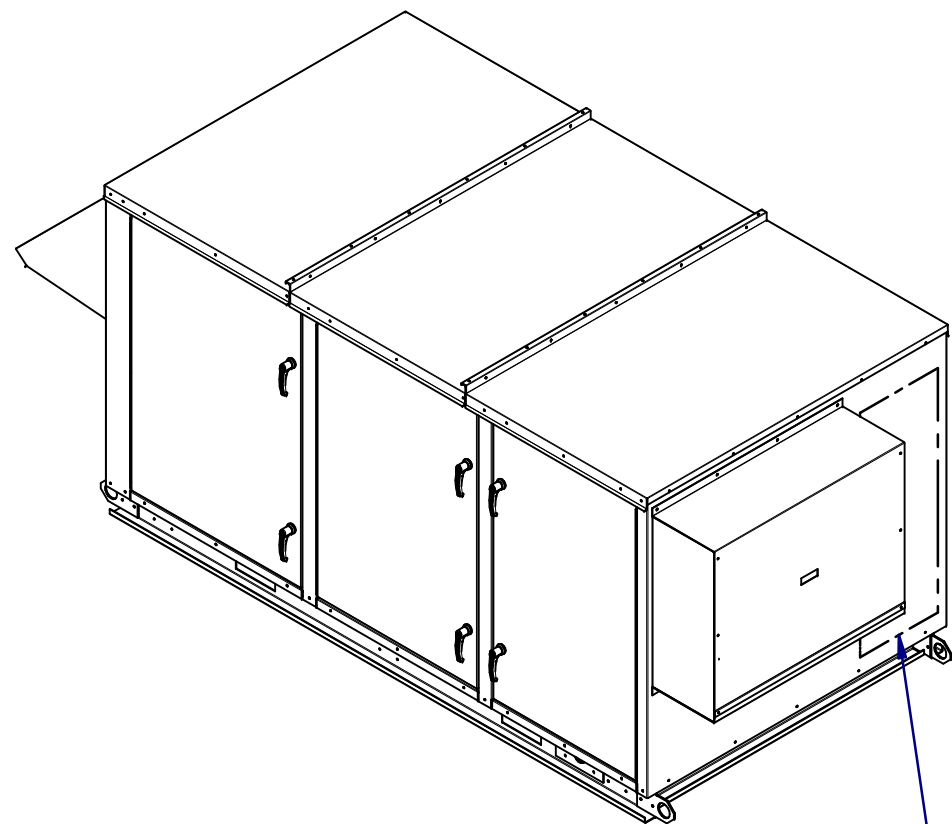
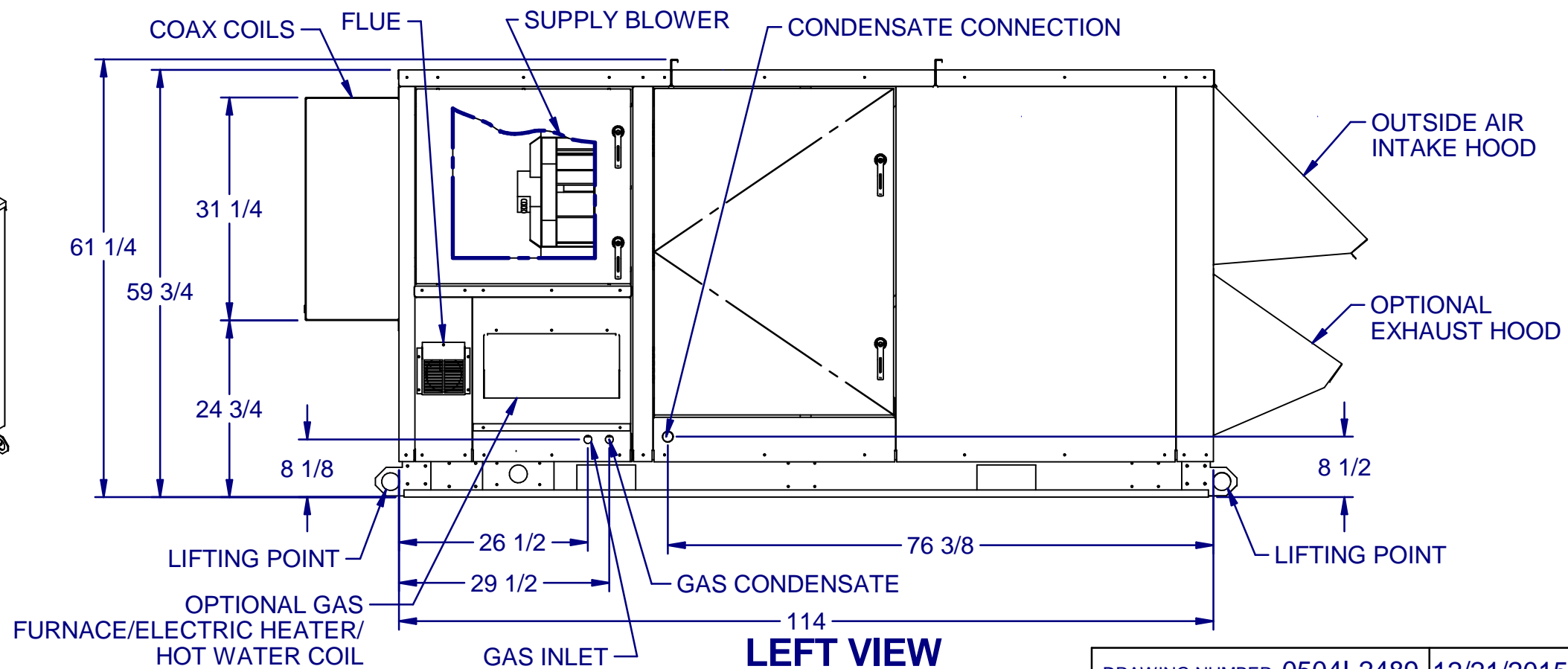


**TOP VIEW**



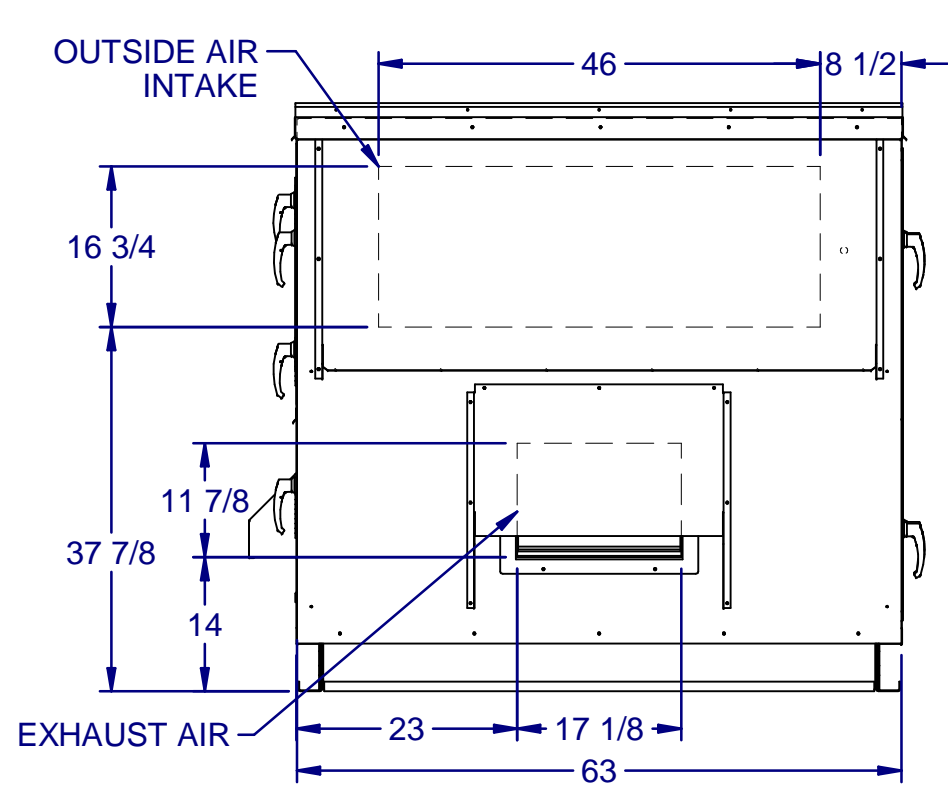
OPTIONAL DISCONNECT LOCATION



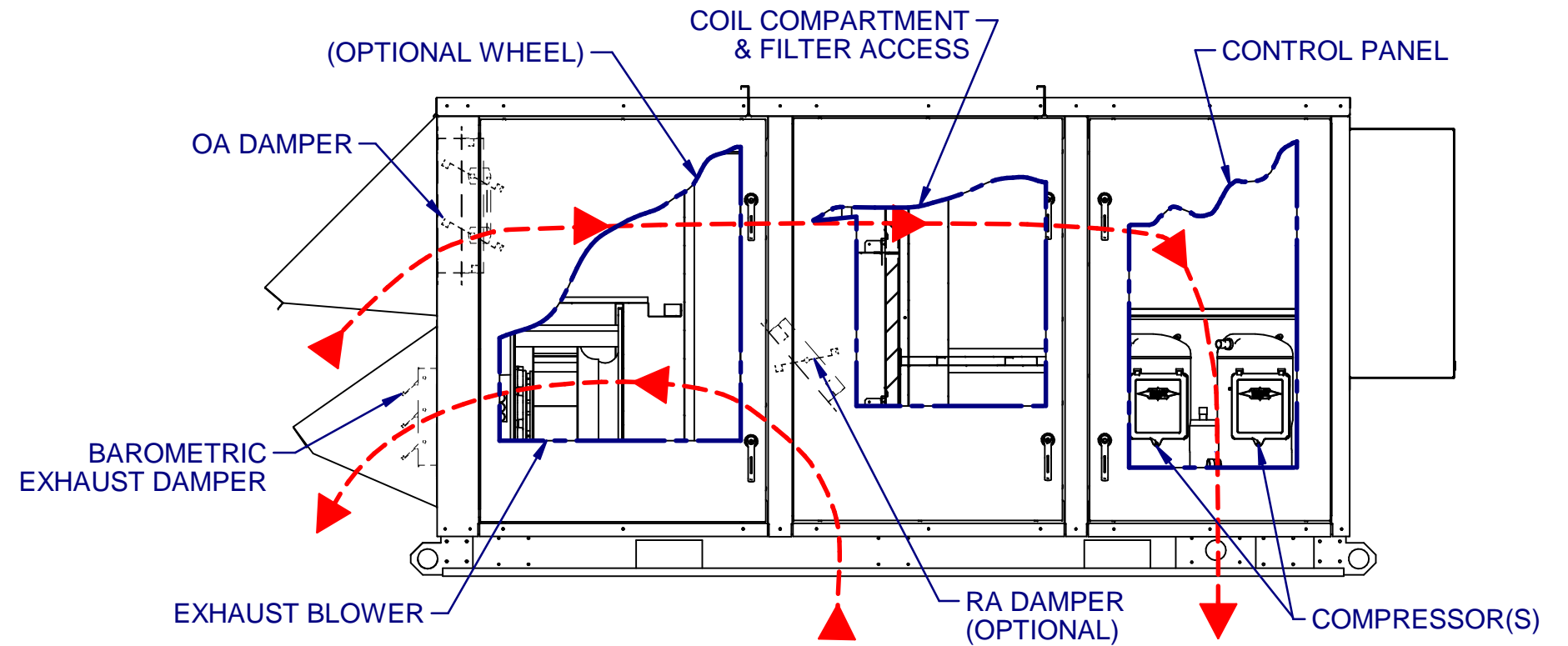
**LEFT VIEW**

COND. CONN.	GAS COND. CONN.	GAS INLET CONN.	CWC CONN.	HWC CONN.
3/4" Ø SLIP CONN.	1/2" Ø FPT	75-200 MBH - 1/2"-3/4" Ø NPT	1 3/8"-1 5/8" Ø	1 5/8" Ø

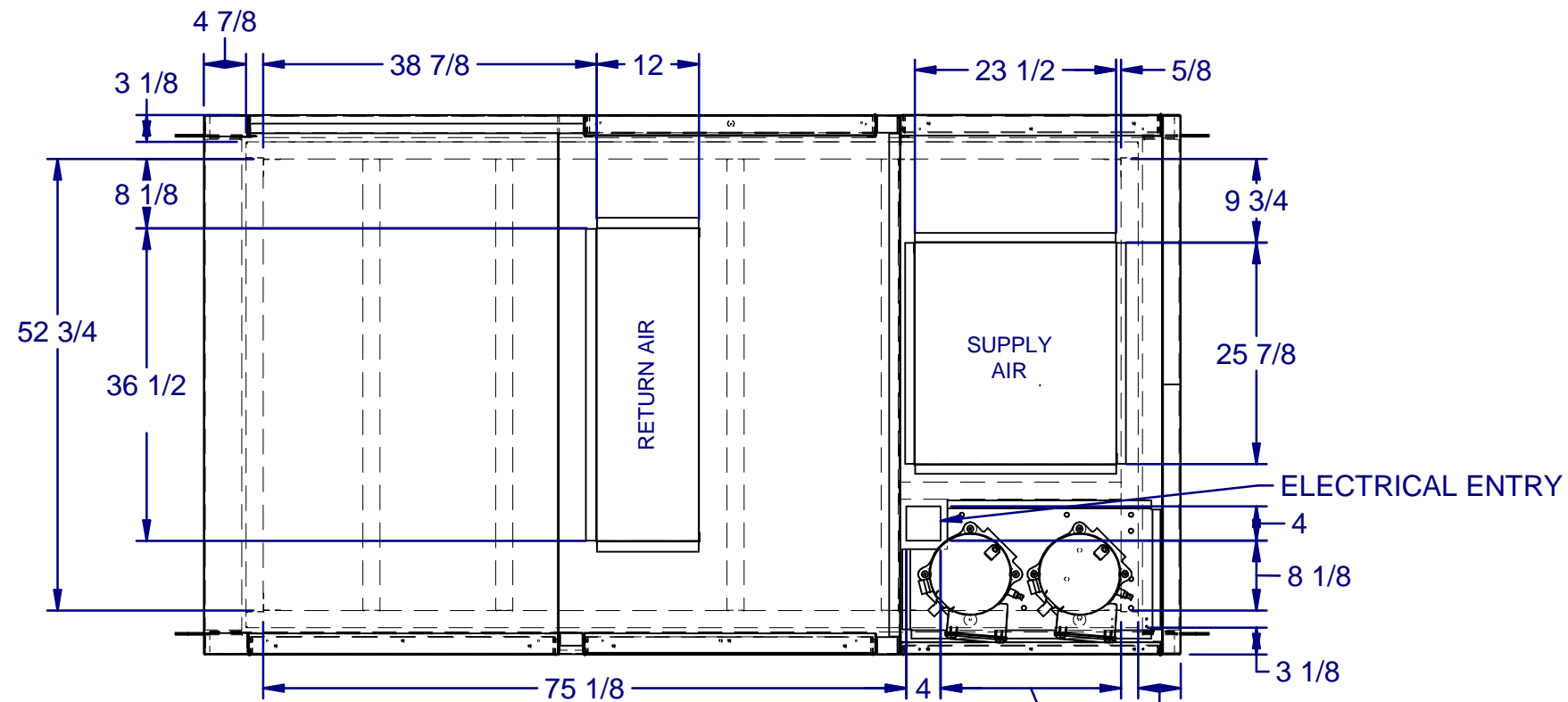
DRAWING NUMBER: 05041-2489	12/21/2015
TITLE: PR WG B CAB	1 OF 2



**FRONT VIEW**



**RIGHT VIEW**



**TOP PLAN VIEW  
CONDENSING SIDE  
NOT SHOWN**

DRAWING NUMBER: 05041-2489	12/21/2015
TITLE: PR WG B CAB	2 OF 2