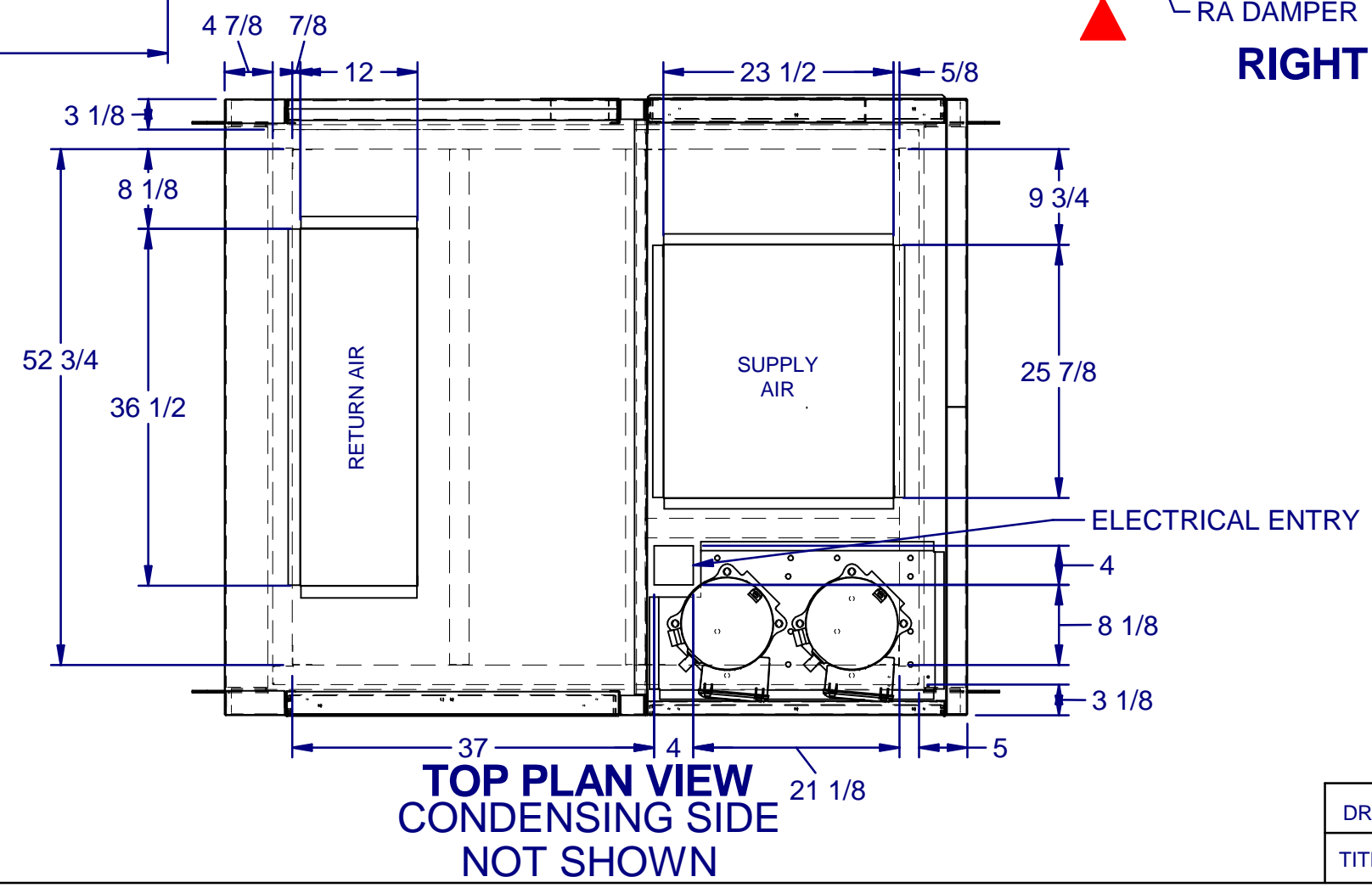
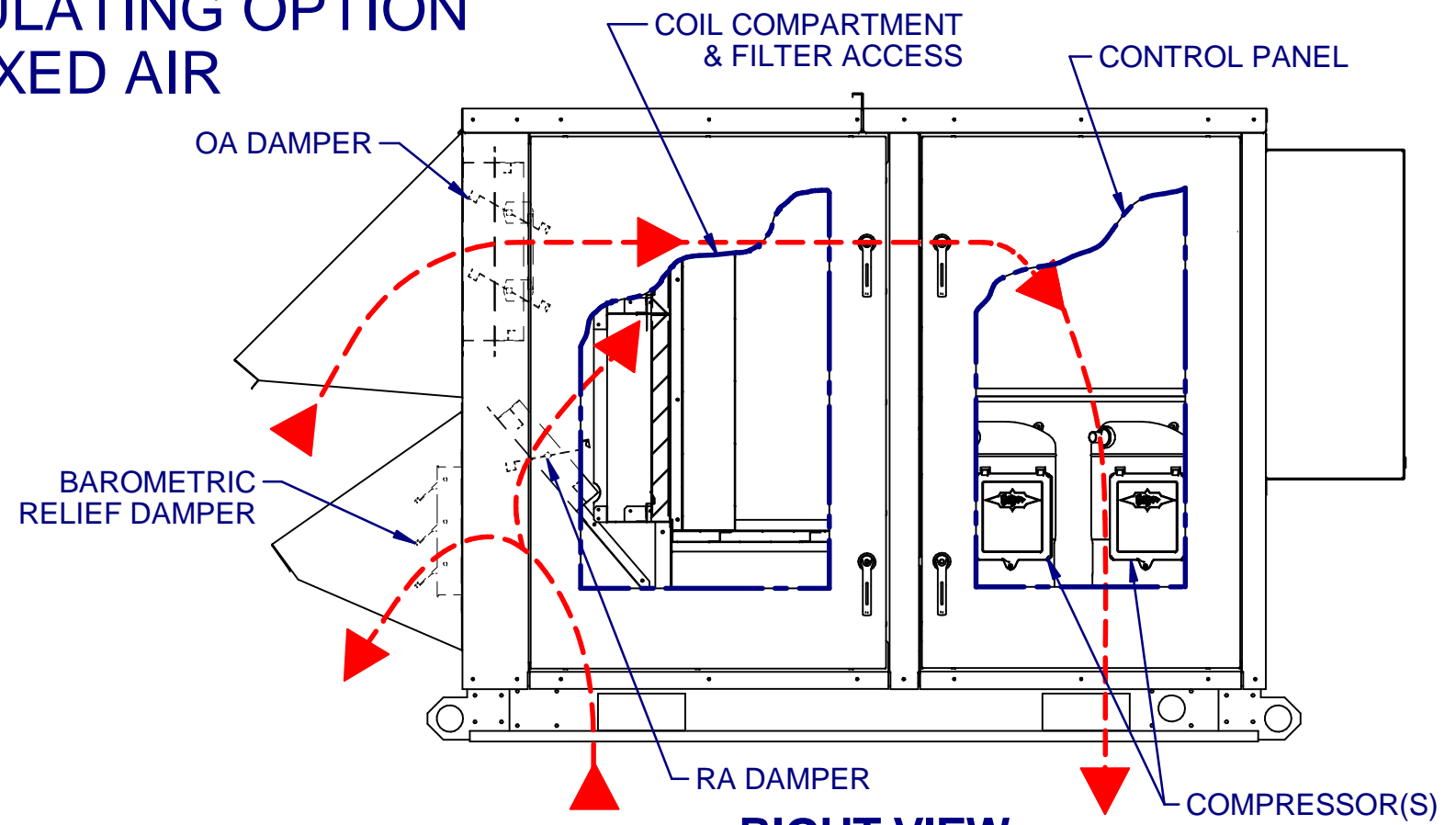
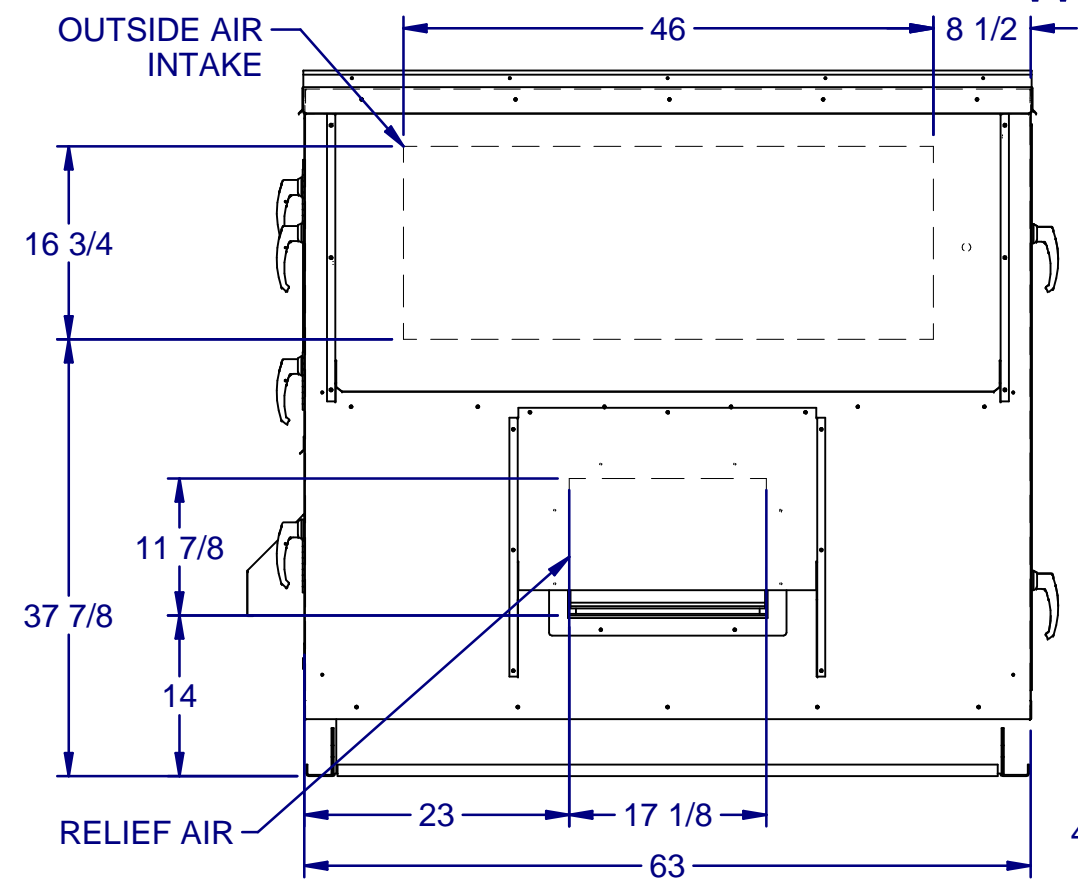


100% OUTSIDE AIR WITH RECIRCULATING OPTION OR MIXED AIR



DRAWING NUMBER: 0504I-2490-3	12/21/2015
TITLE: PR WG B CAB NO EXH	1 OF 1