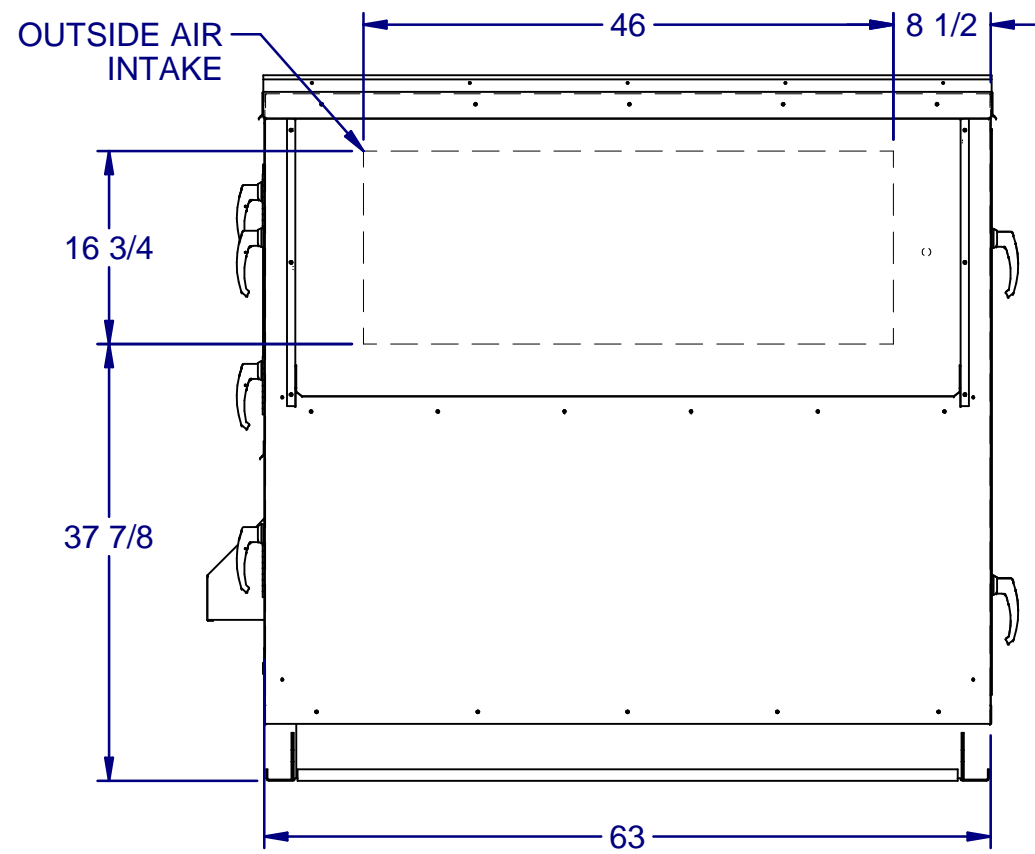
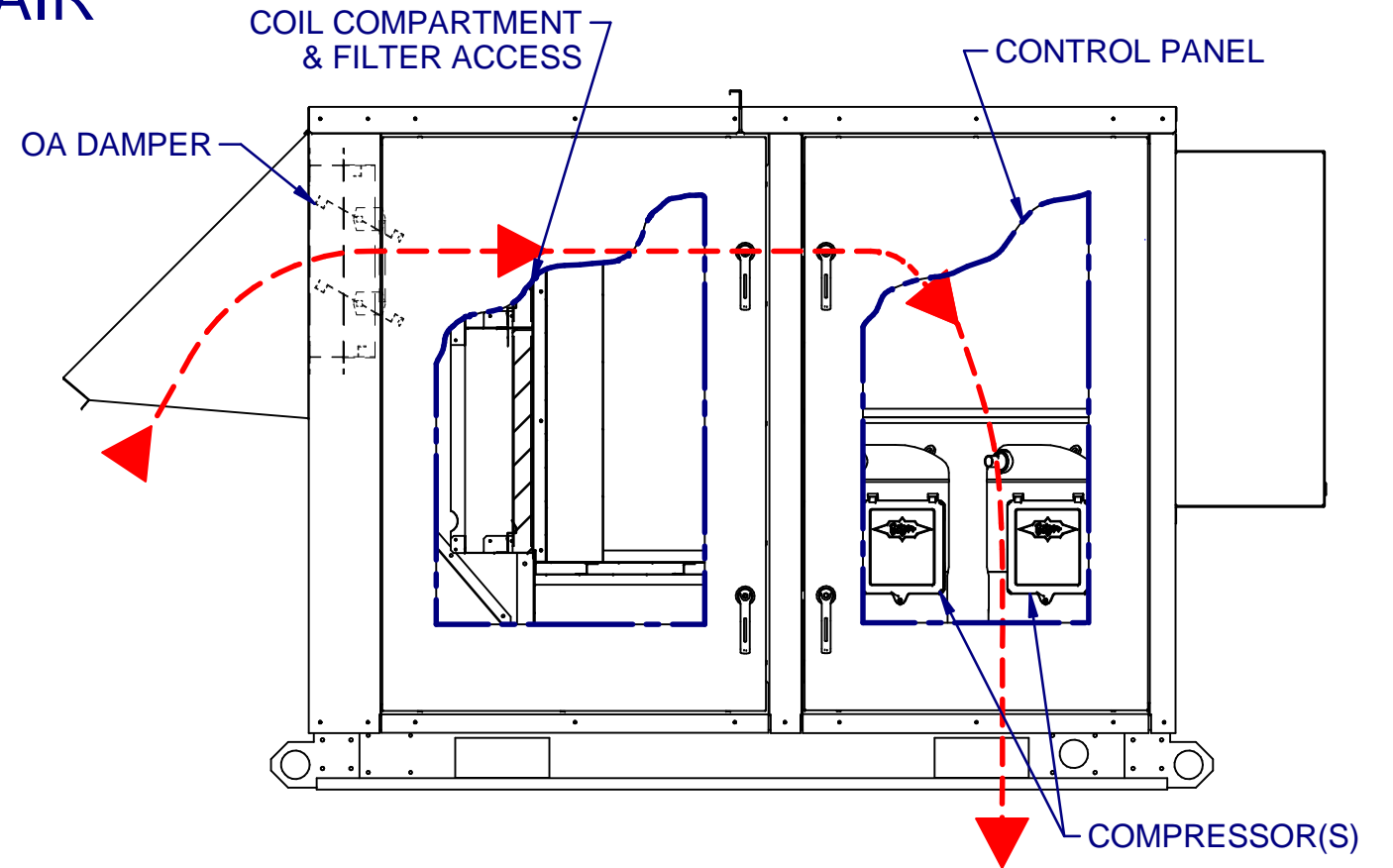


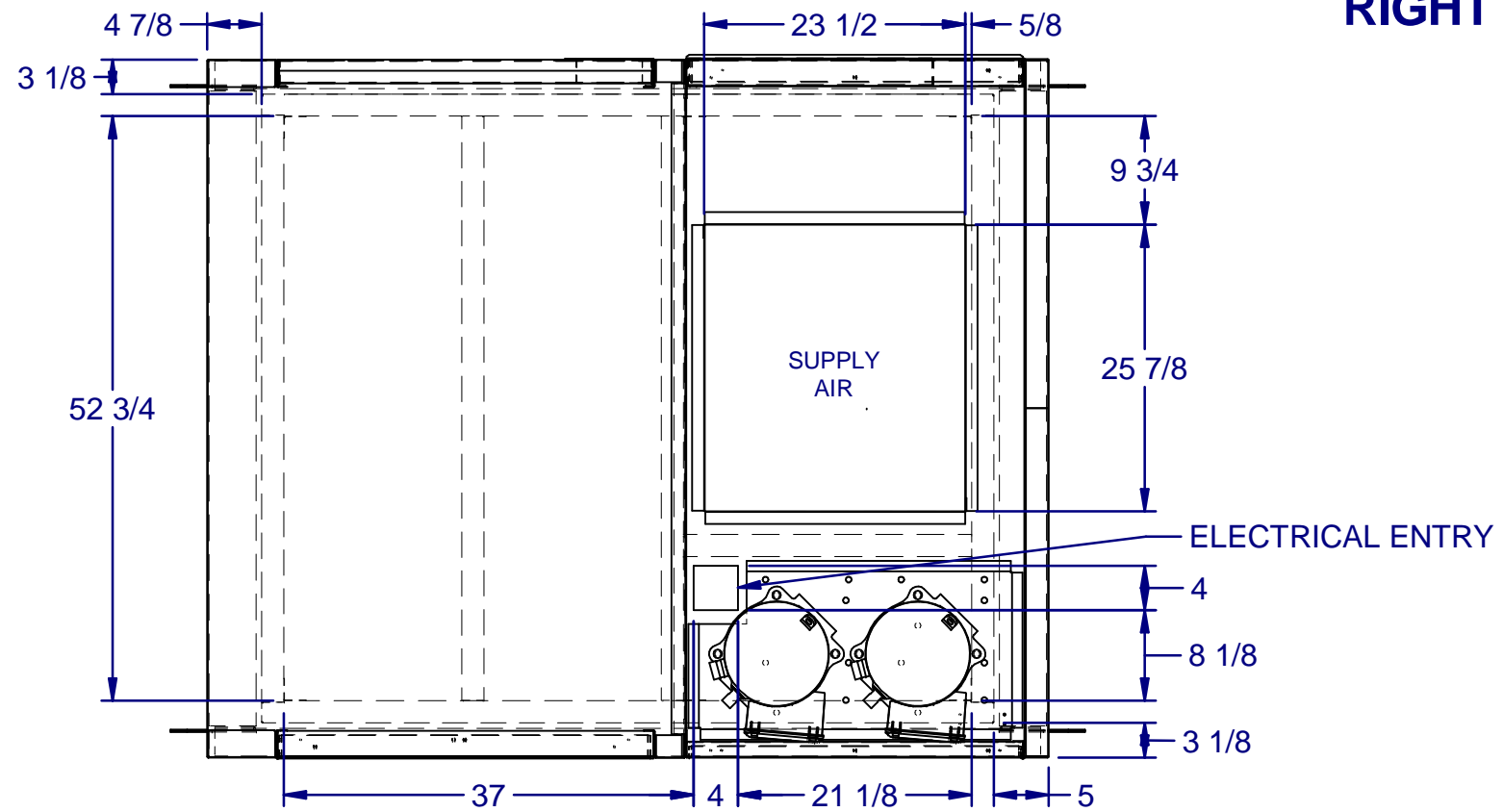
# 100% OUTSIDE AIR



**FRONT VIEW**



**RIGHT VIEW**



**TOP PLAN VIEW  
CONDENSING SIDE  
NOT SHOWN**

DRAWING NUMBER: 0504I-2490-4	12/21/2015
TITLE: PR WG B CAB NO EXH	1 OF 1