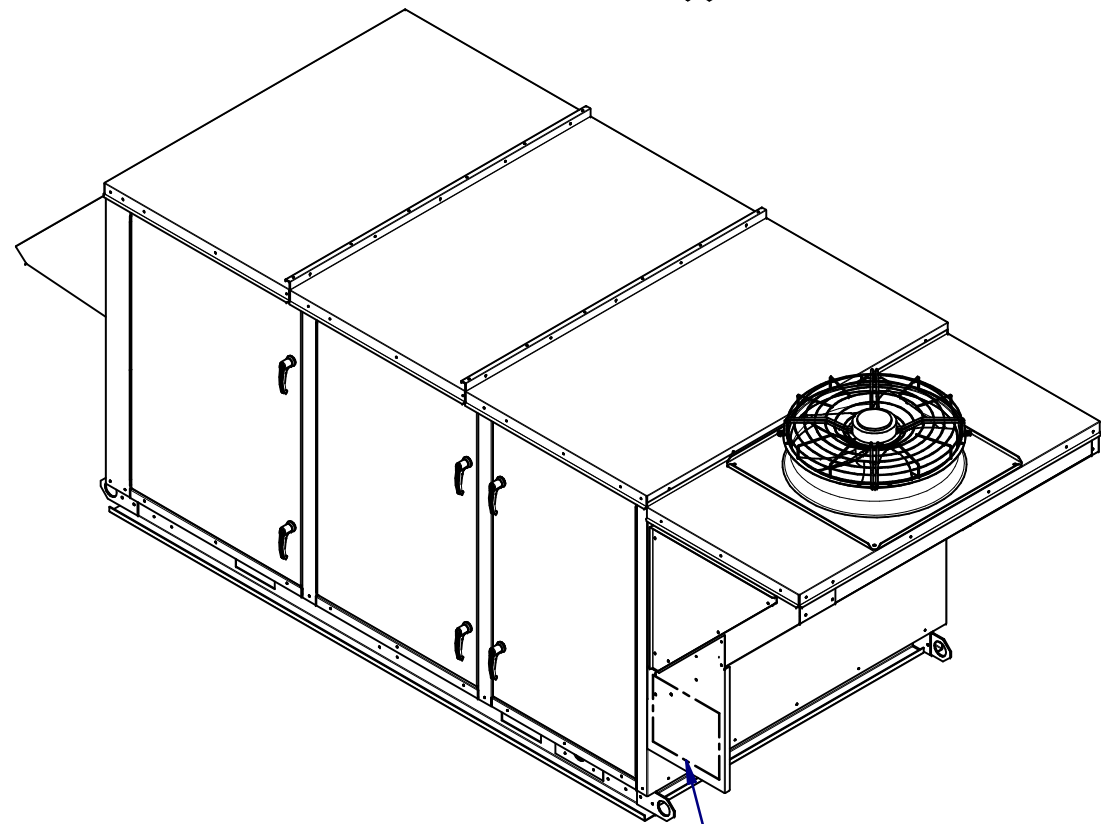
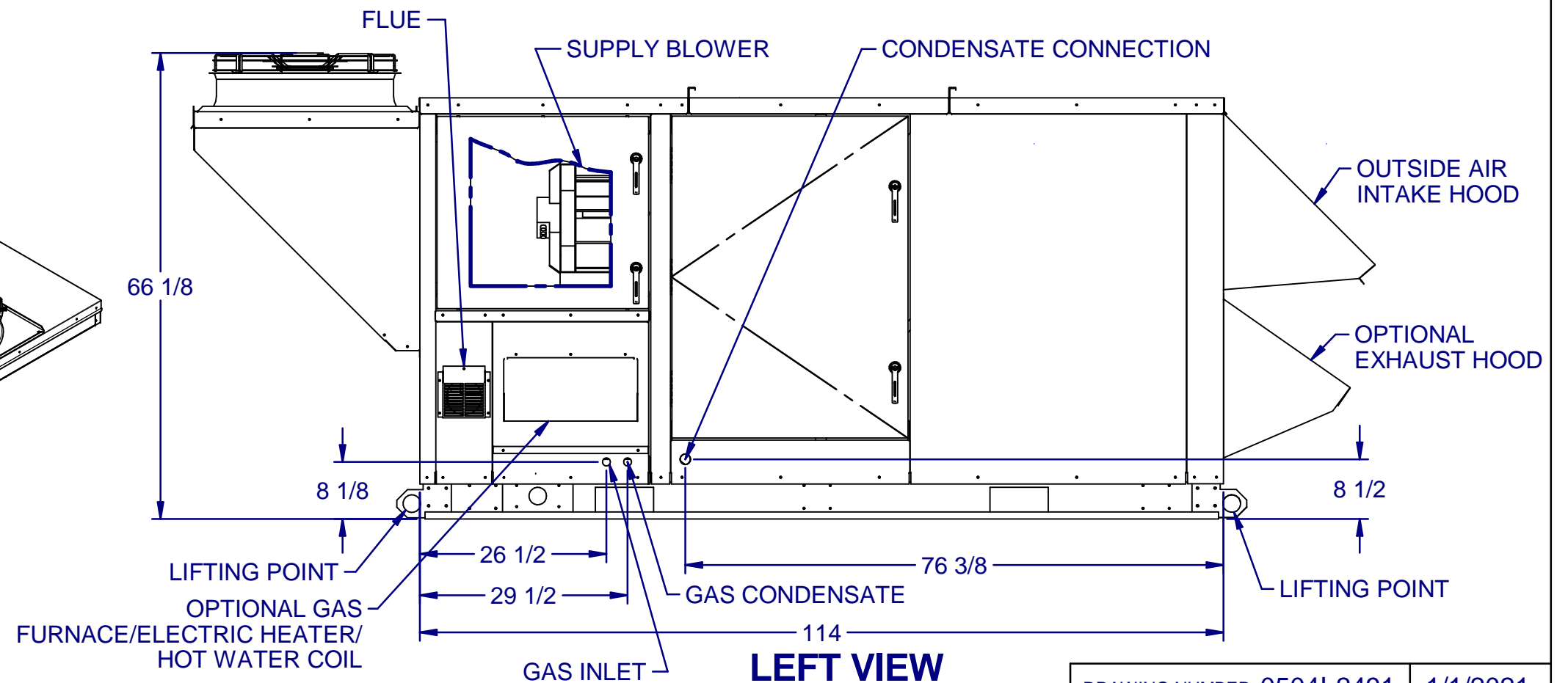


TOP VIEW



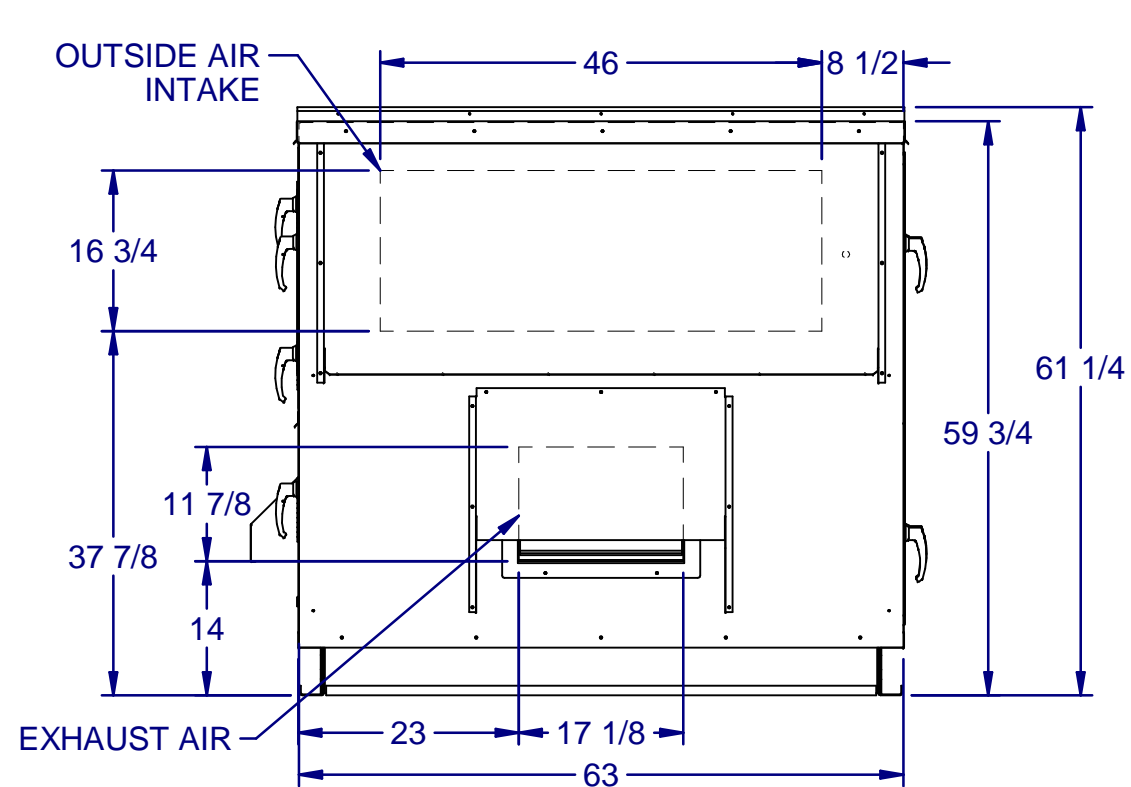
OPTIONAL DISCONNECT LOCATION



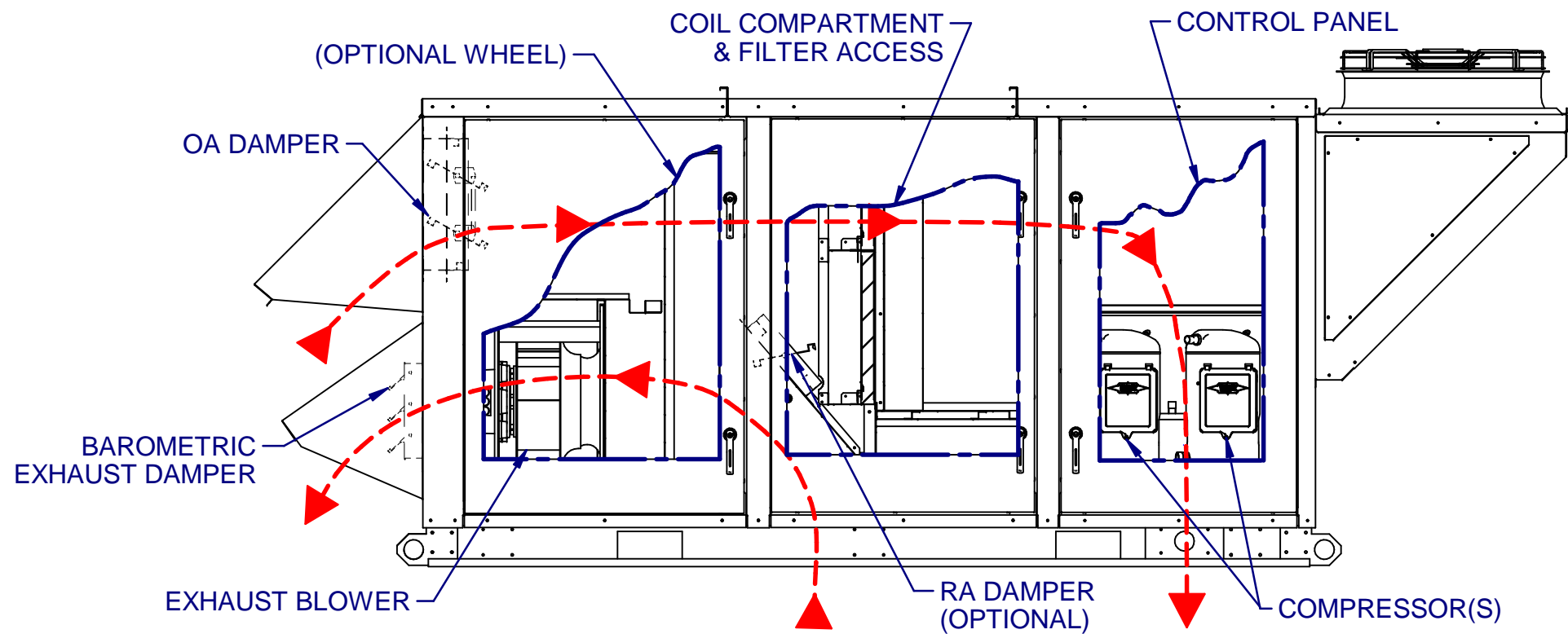
LEFT VIEW

COND. CONN.	GAS COND. CONN.	GAS INLET CONN.	CWC CONN.	HWC CONN.
3/4" Ø SLIP CONN.	1/2" Ø FPT	75-200 MBH - 1/2"-3/4" Ø NPT	1 3/8"-1 5/8" Ø	1 5/8" Ø

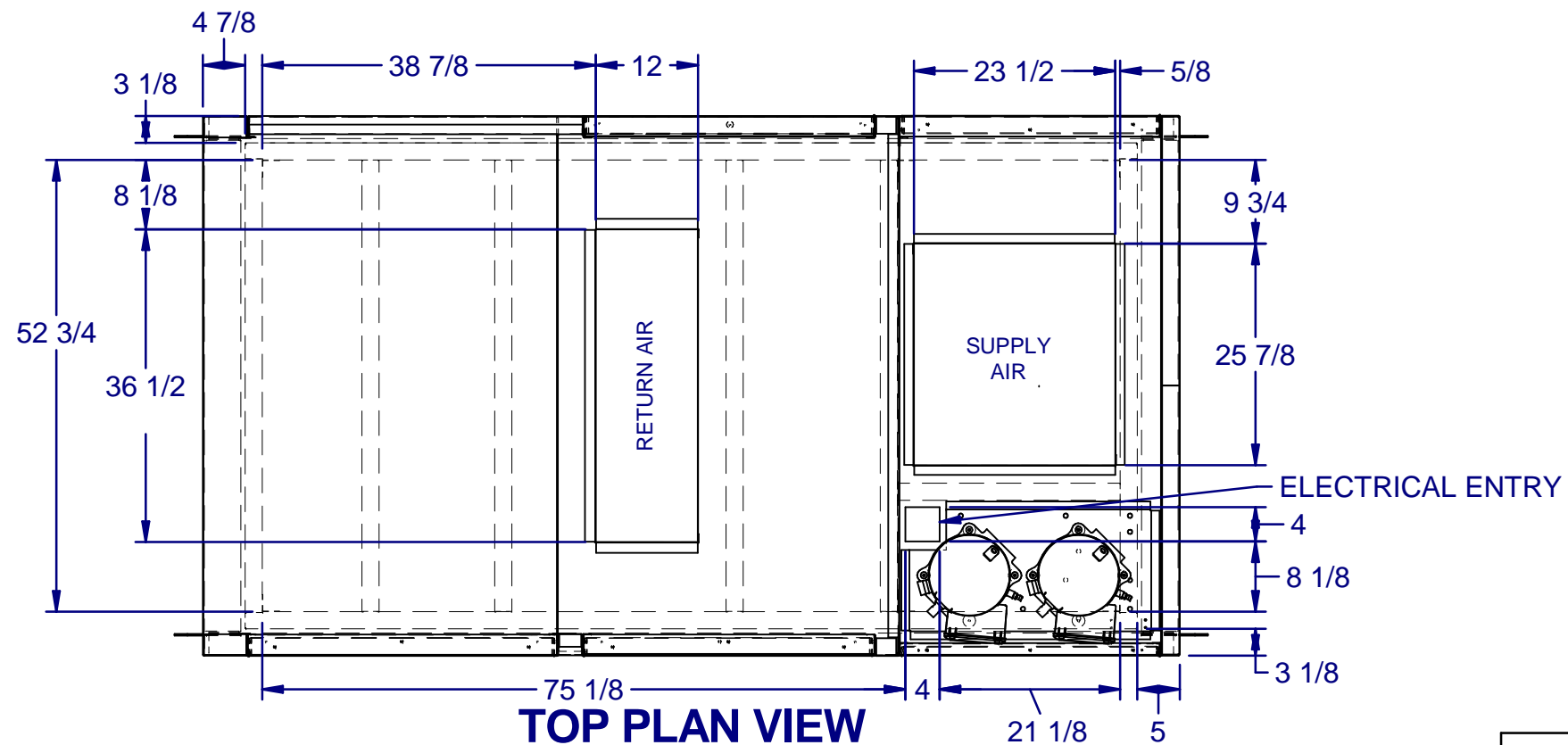
DRAWING NUMBER: 05041-2491	1/1/2021
TITLE: PR B1 CAB	1 OF 2



FRONT VIEW



RIGHT VIEW



**TOP PLAN VIEW
CONDENSING SIDE
NOT SHOWN**

DRAWING NUMBER: 0504I-2491	1/1/2021
TITLE: PR B1 CAB	2 OF 2