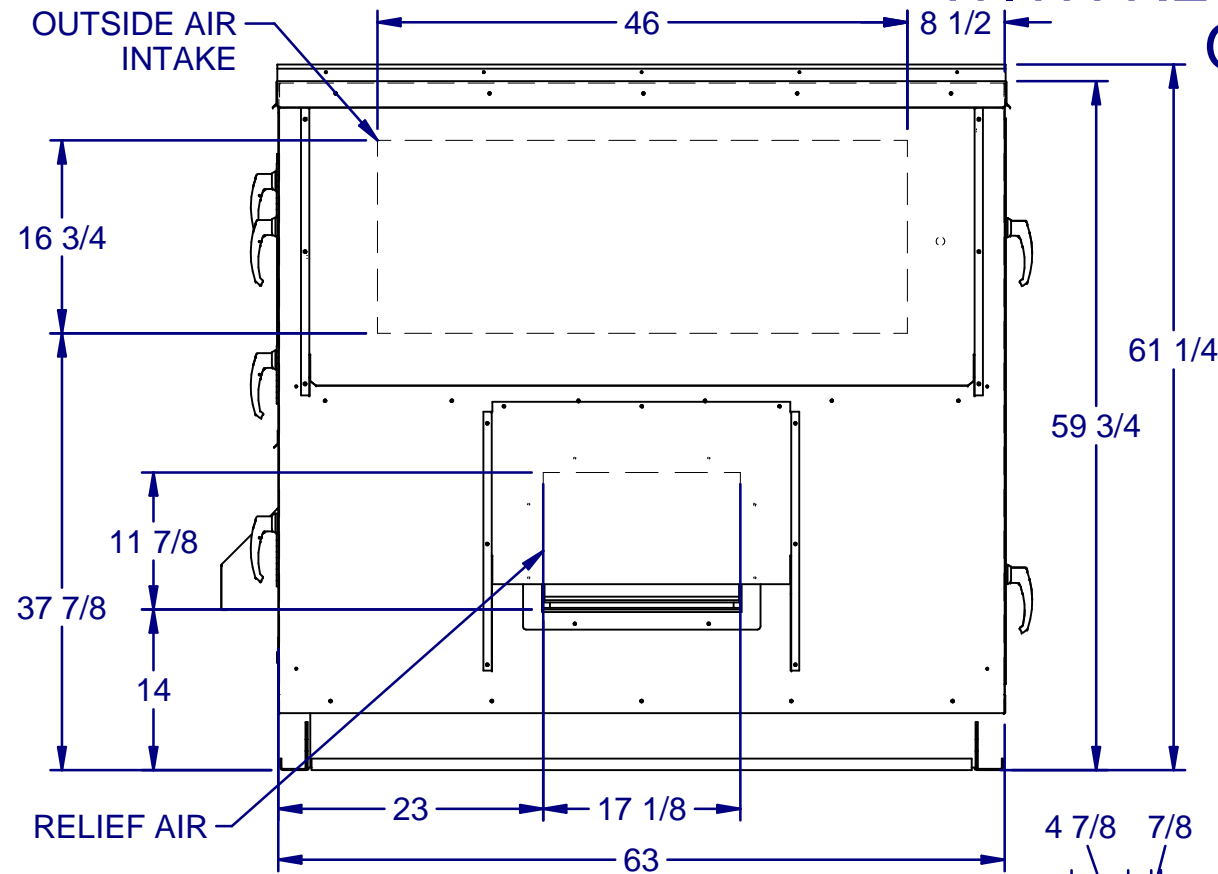
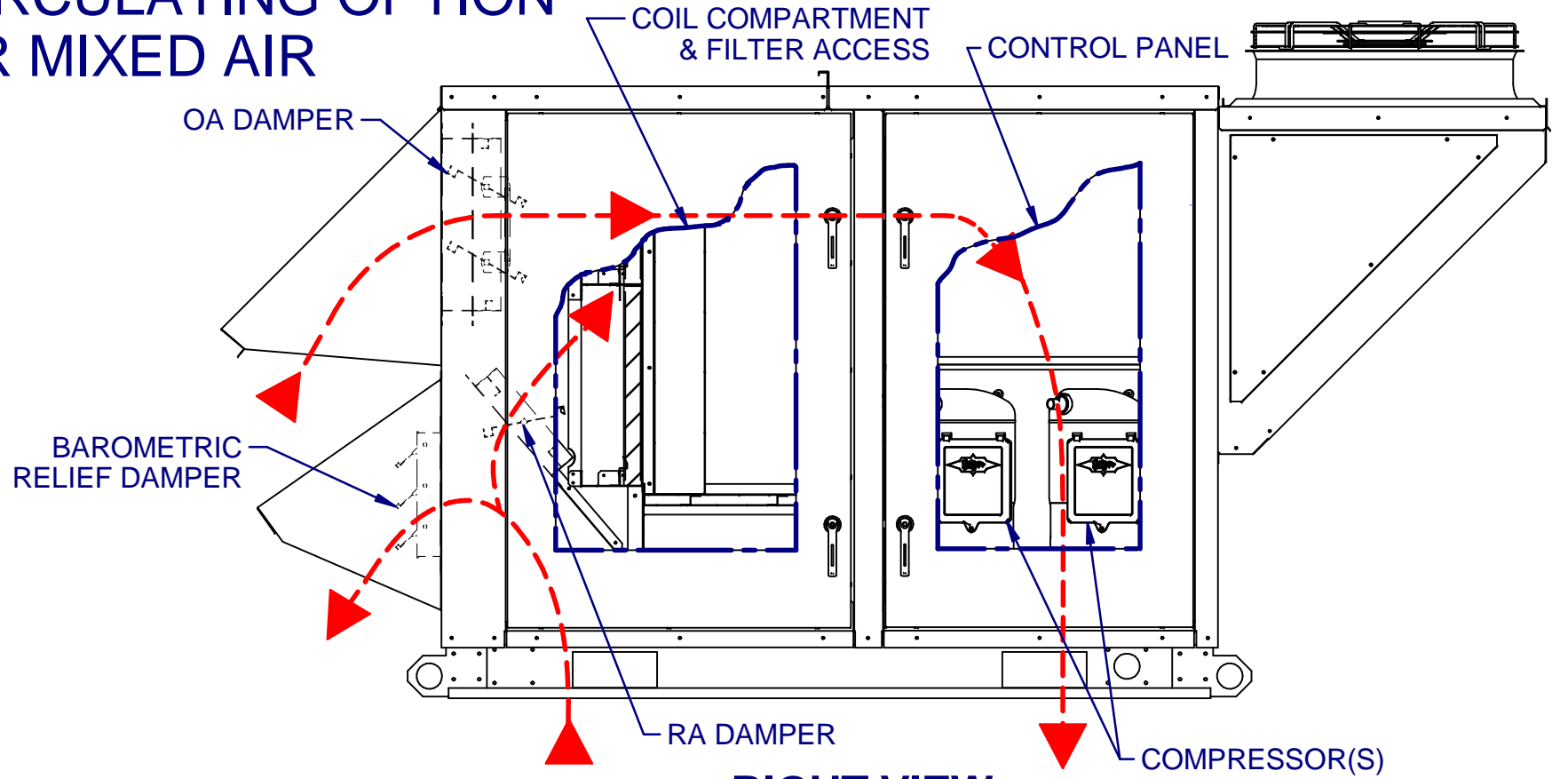


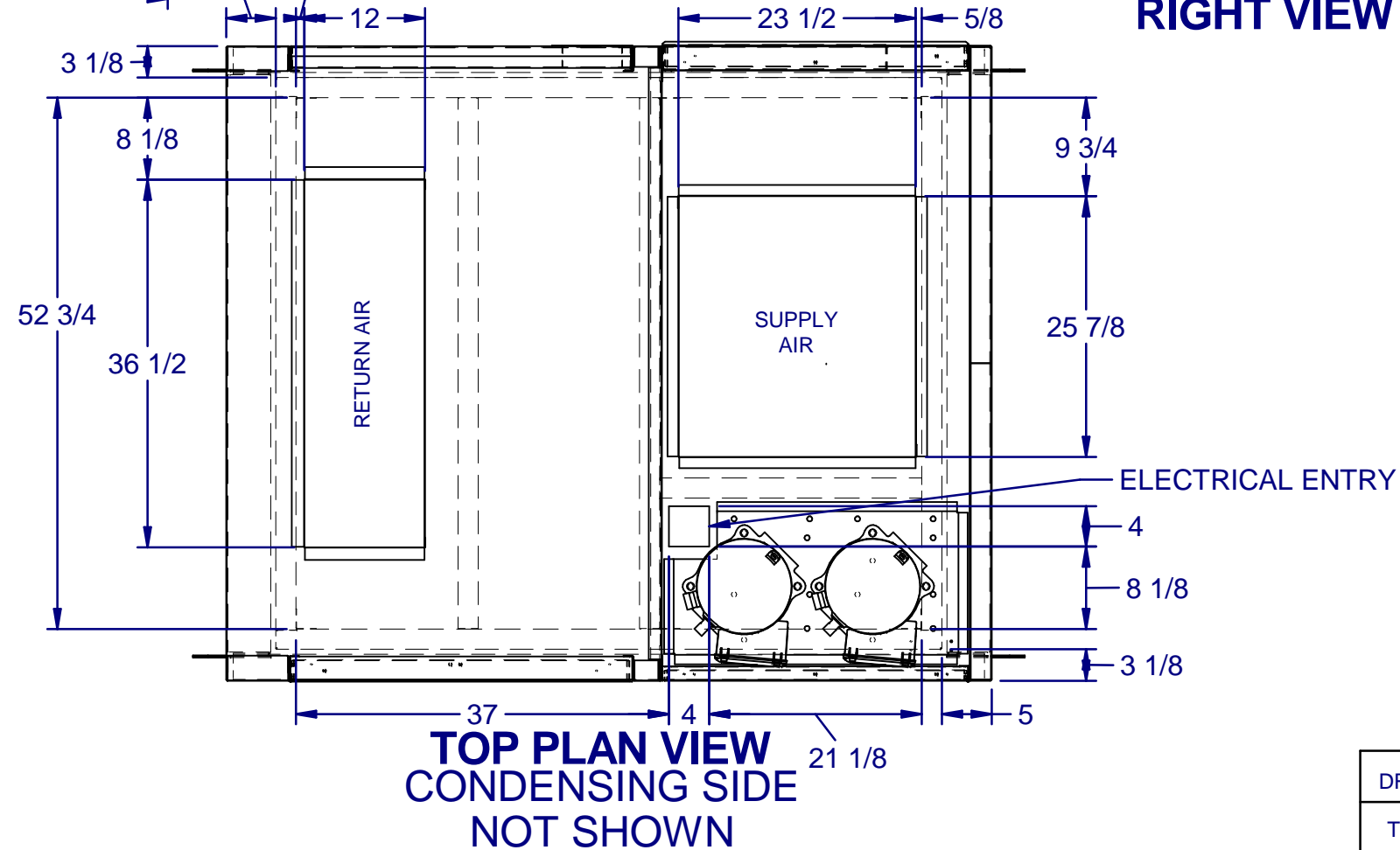
100% OUTSIDE AIR WITH RECIRCULATING OPTION OR MIXED AIR



FRONT VIEW



RIGHT VIEW



**TOP PLAN VIEW
CONDENSING SIDE
NOT SHOWN**

DRAWING NUMBER: 0504I-2492-3	12/21/2015
TITLE: PR B1 CAB NO EXH	1 OF 1