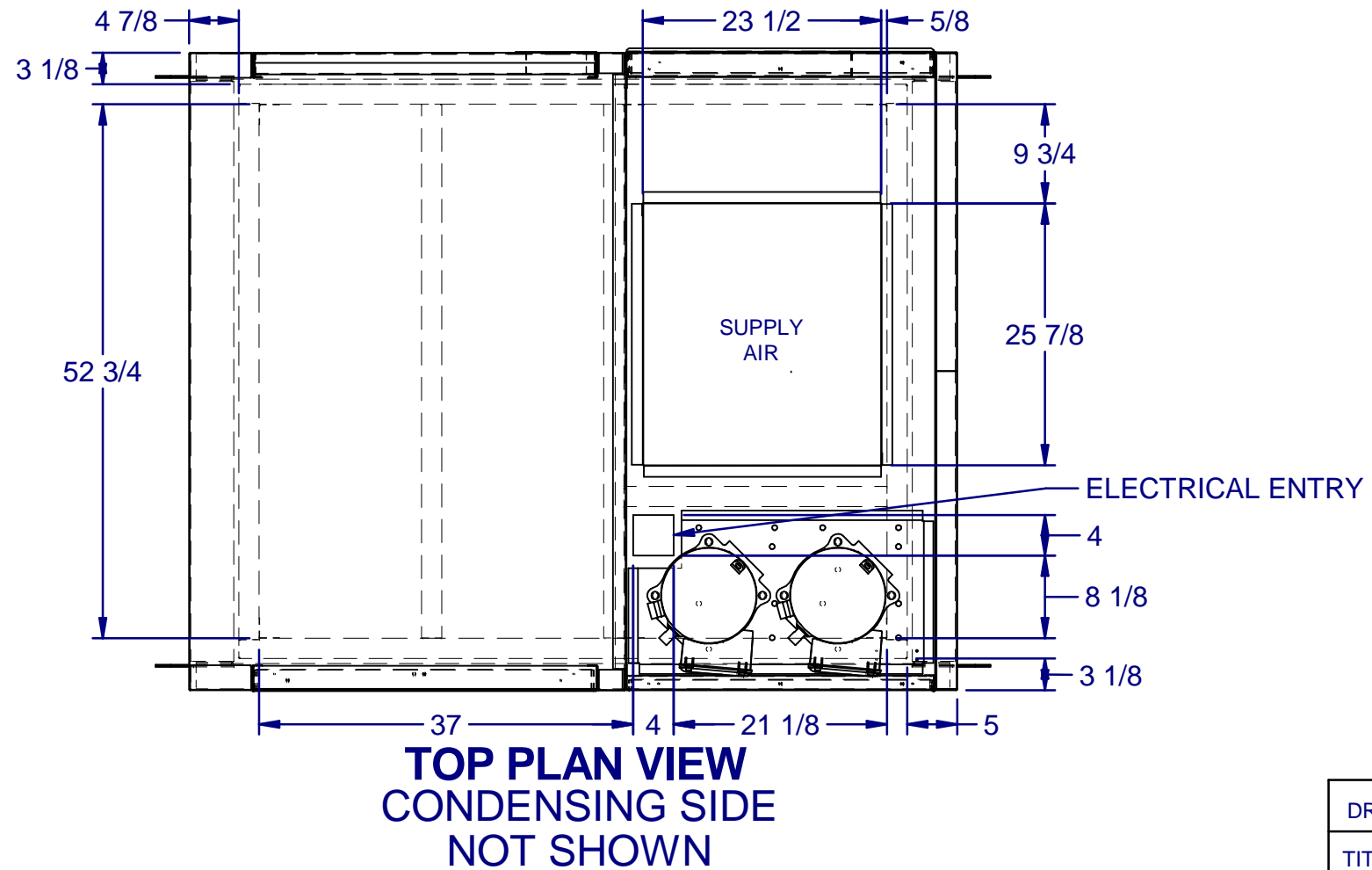
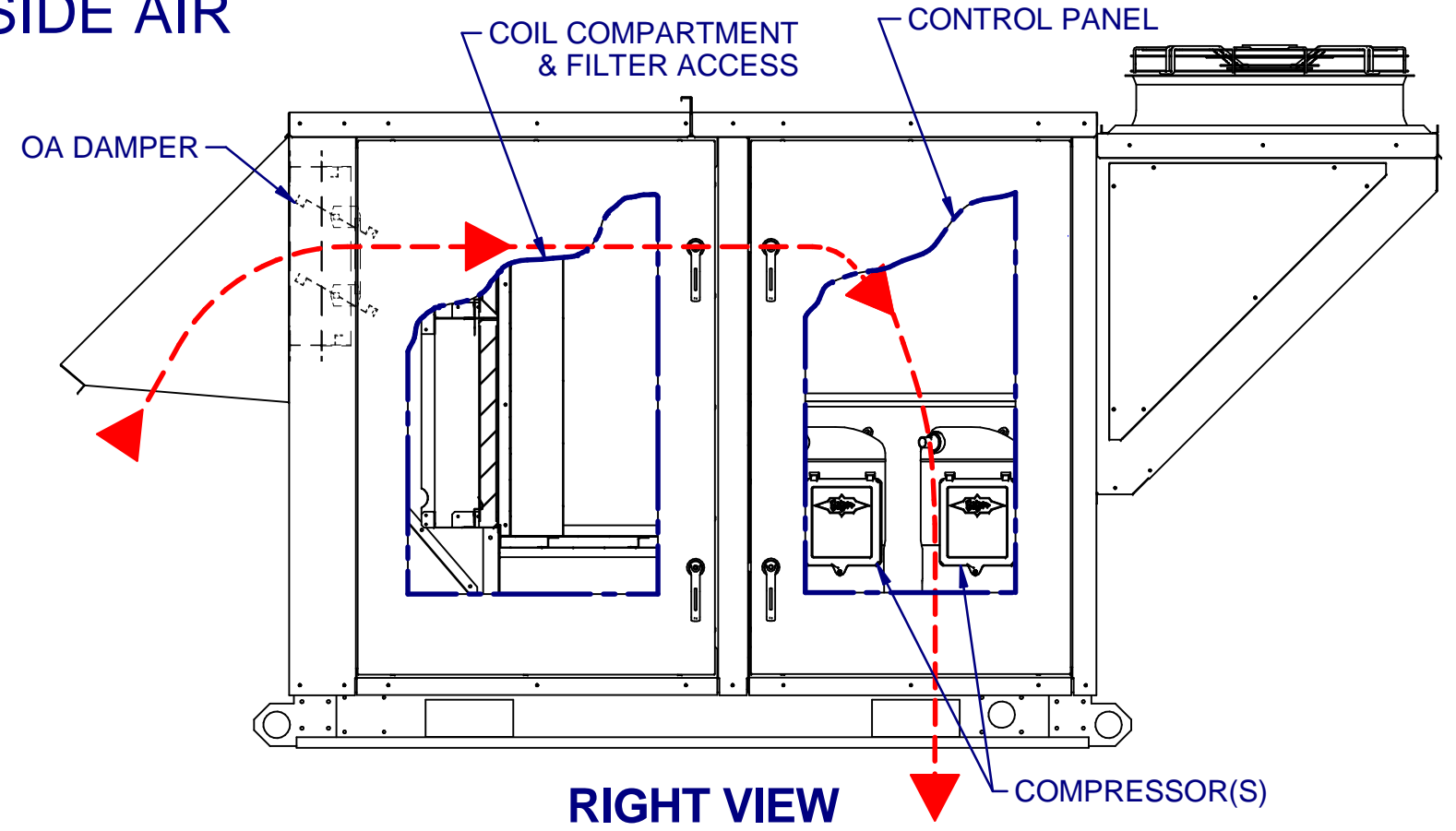
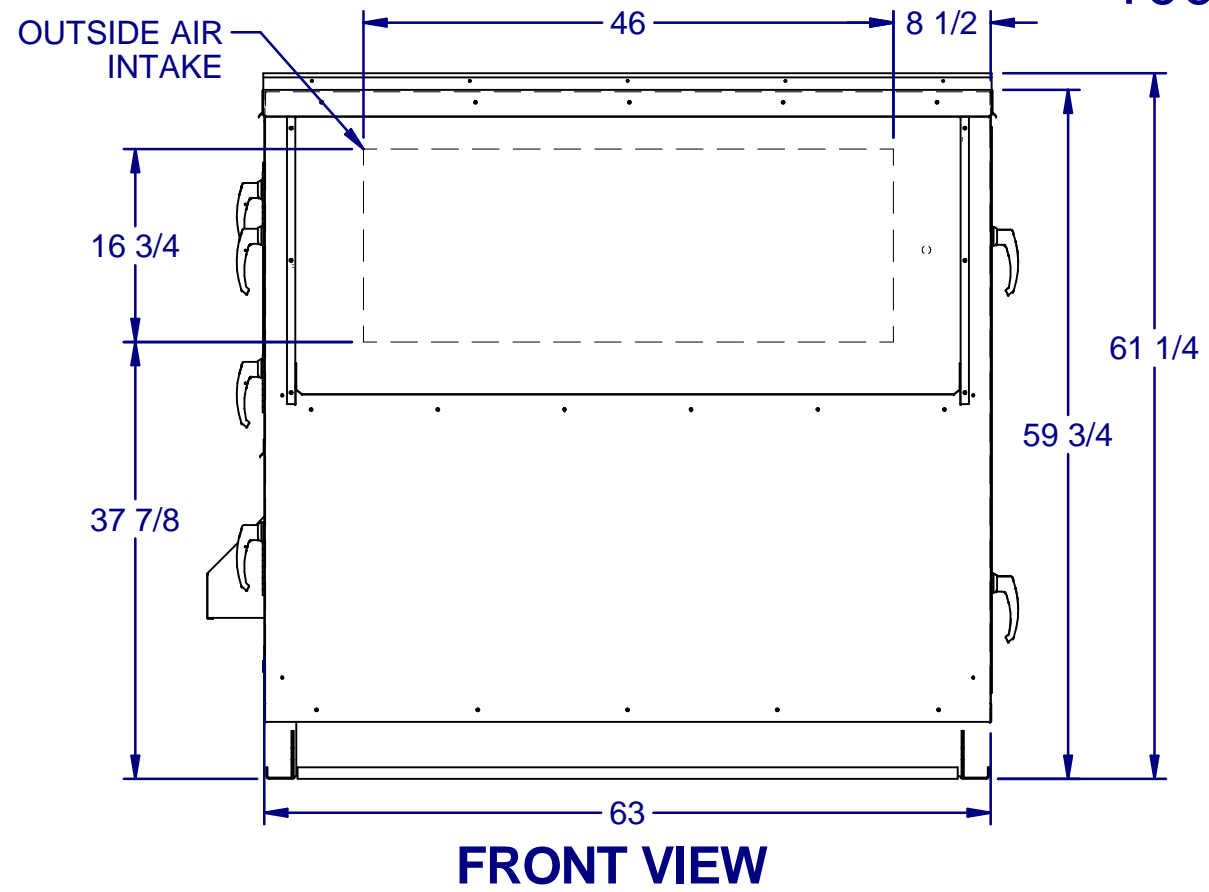


100% OUTSIDE AIR



DRAWING NUMBER: 0504I-2492-4	12/21/2015
TITLE: PR B1 CAB NO EXH	1 OF 1