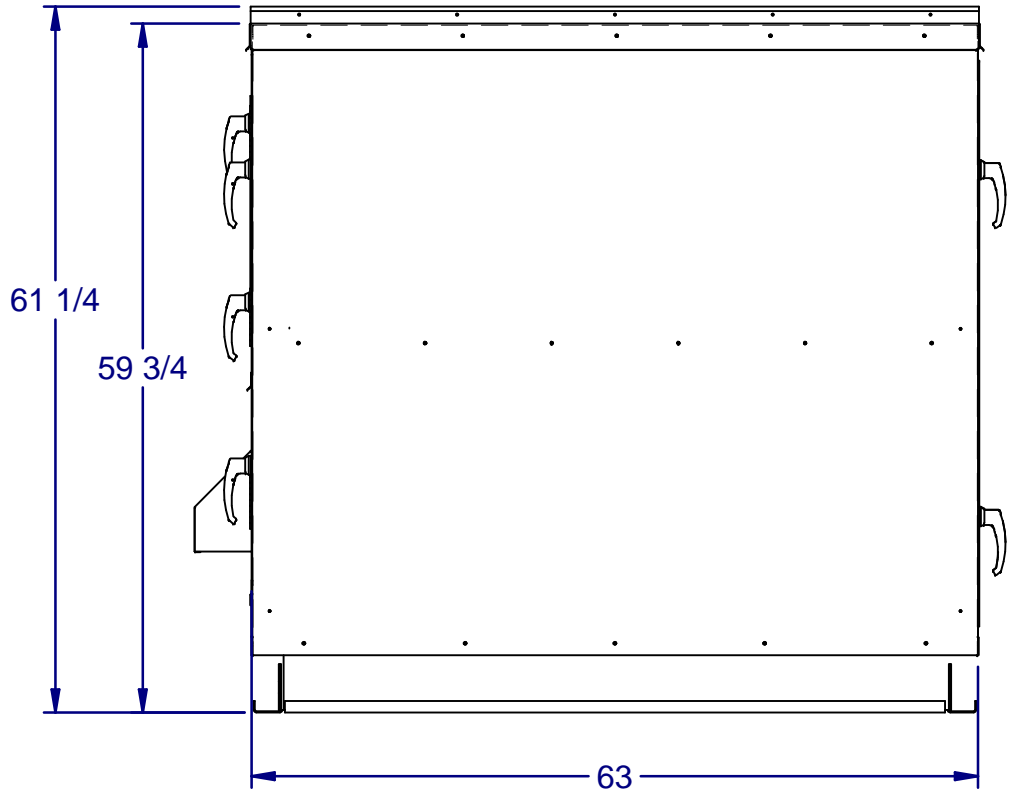
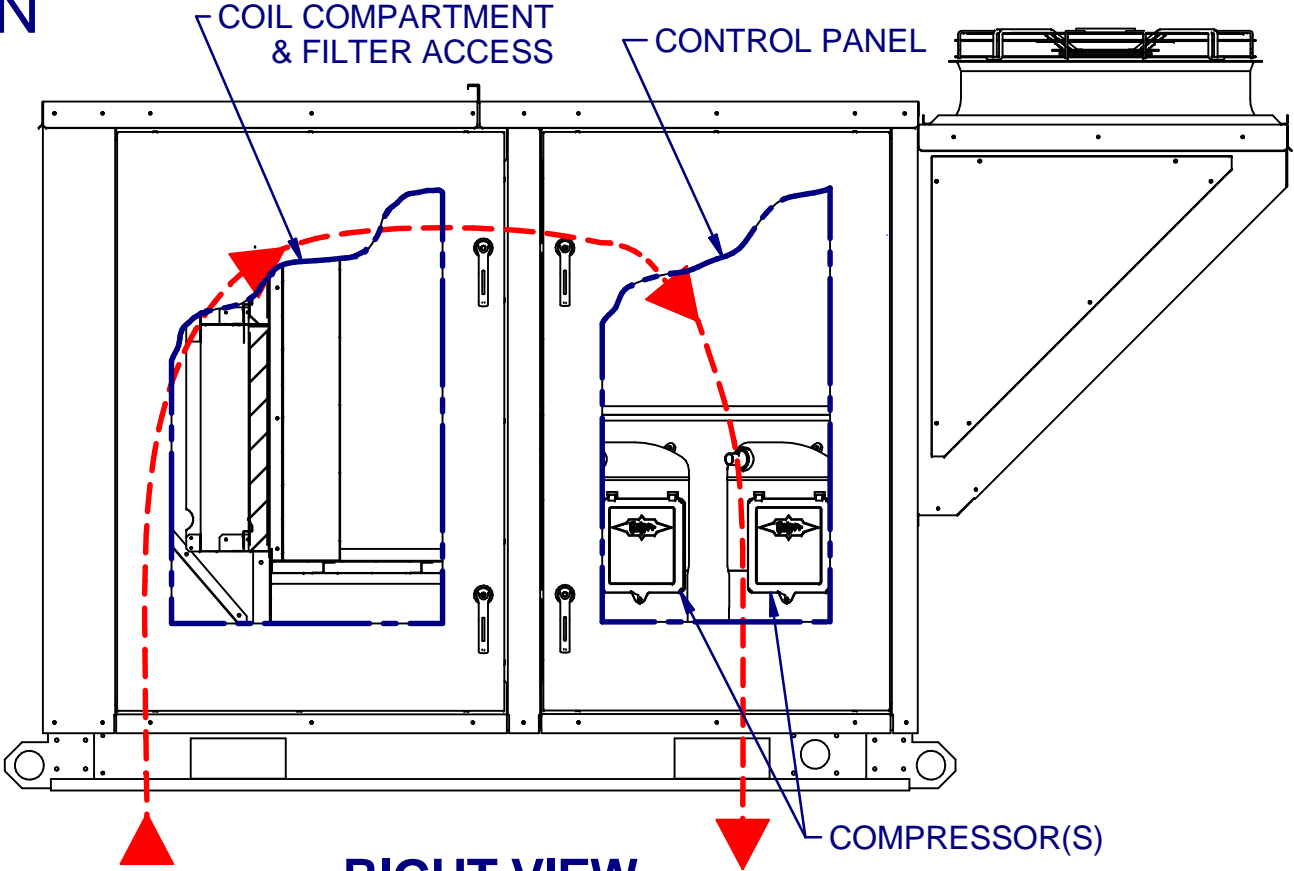


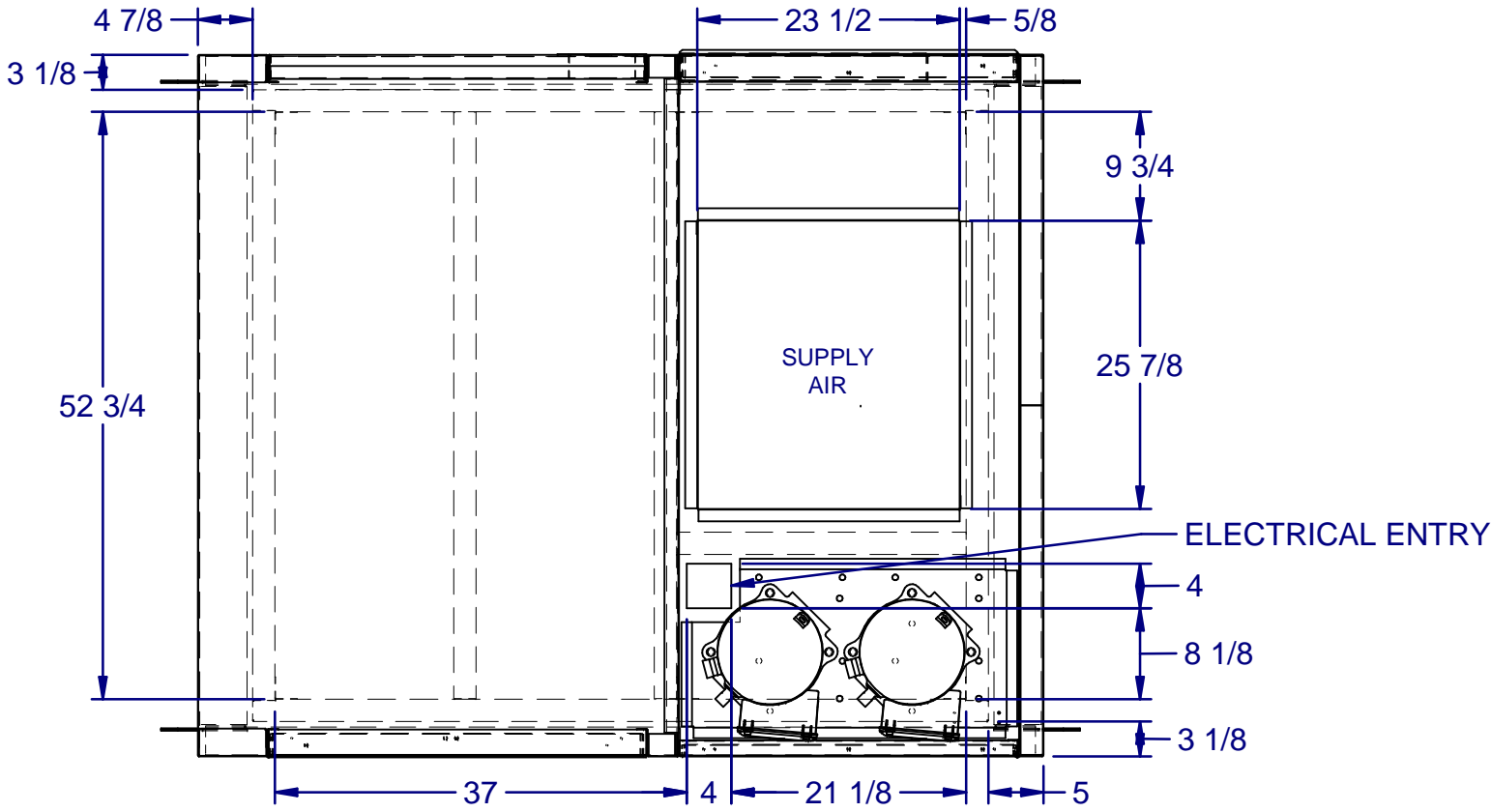
RECIRCULATING OPTION



FRONT VIEW



RIGHT VIEW



**TOP PLAN VIEW
CONDENSING SIDE
NOT SHOWN**

DRAWING NUMBER: 0504I-2492-5	10/5/2016
TITLE: PR B1 CAB NO EXH	1 OF 1