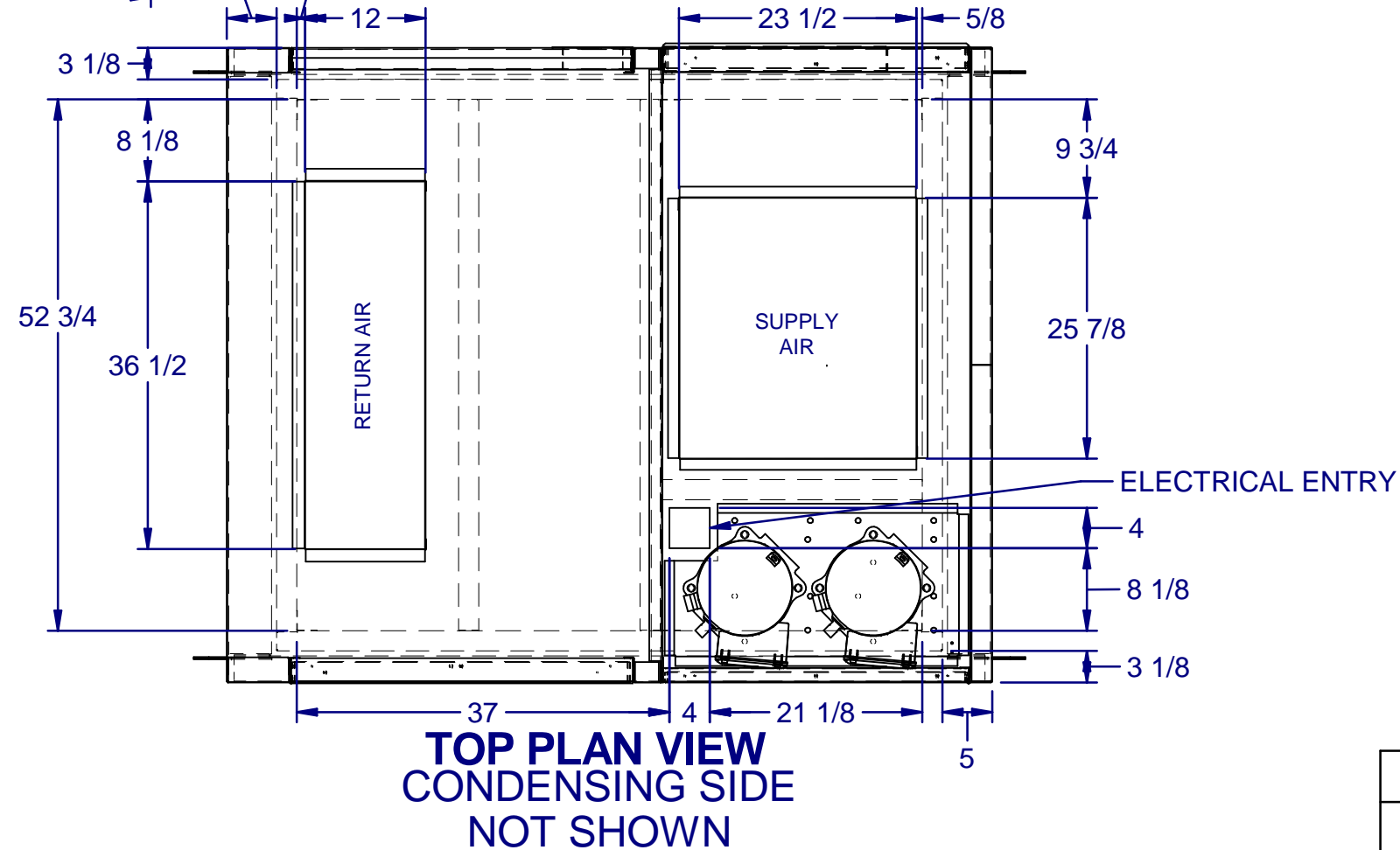
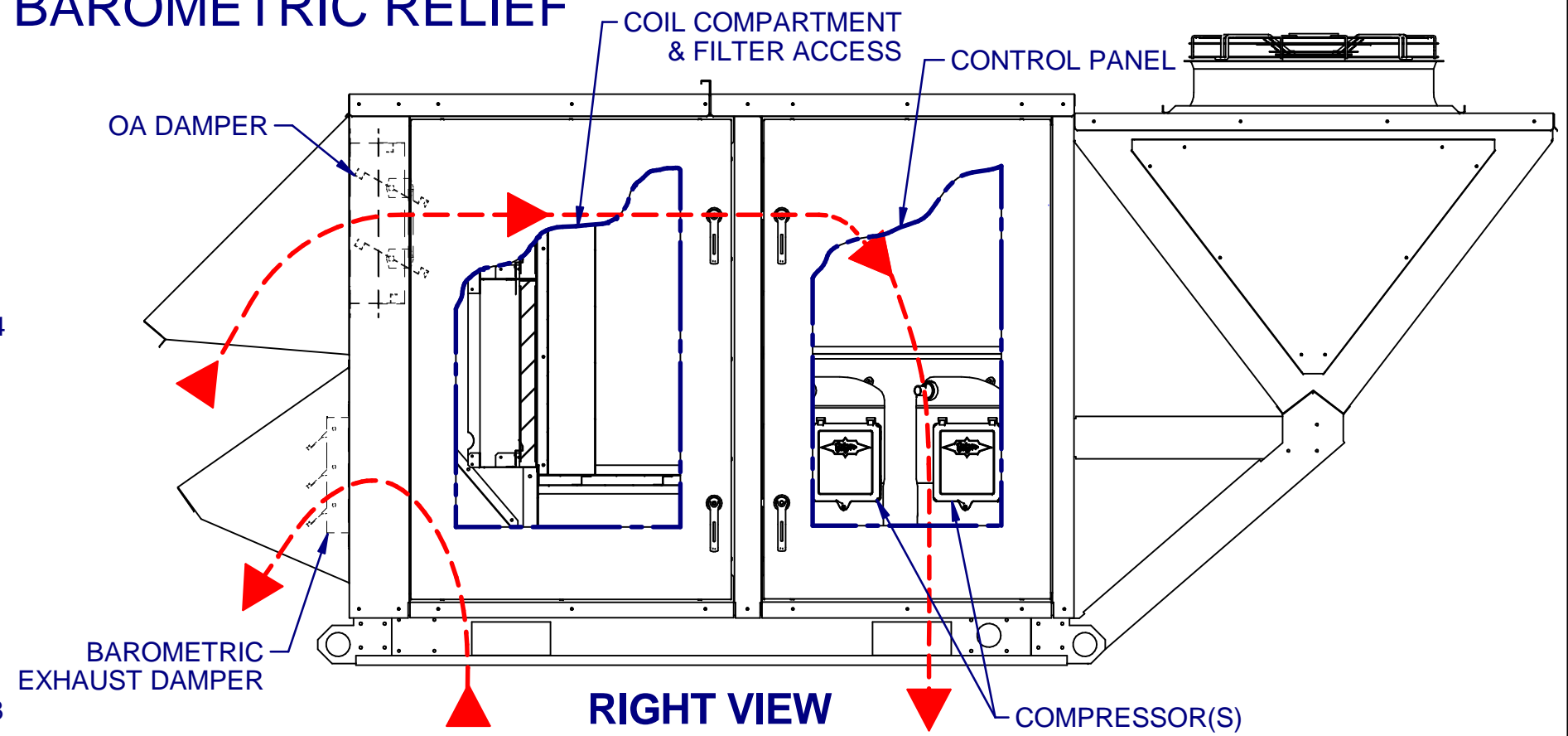
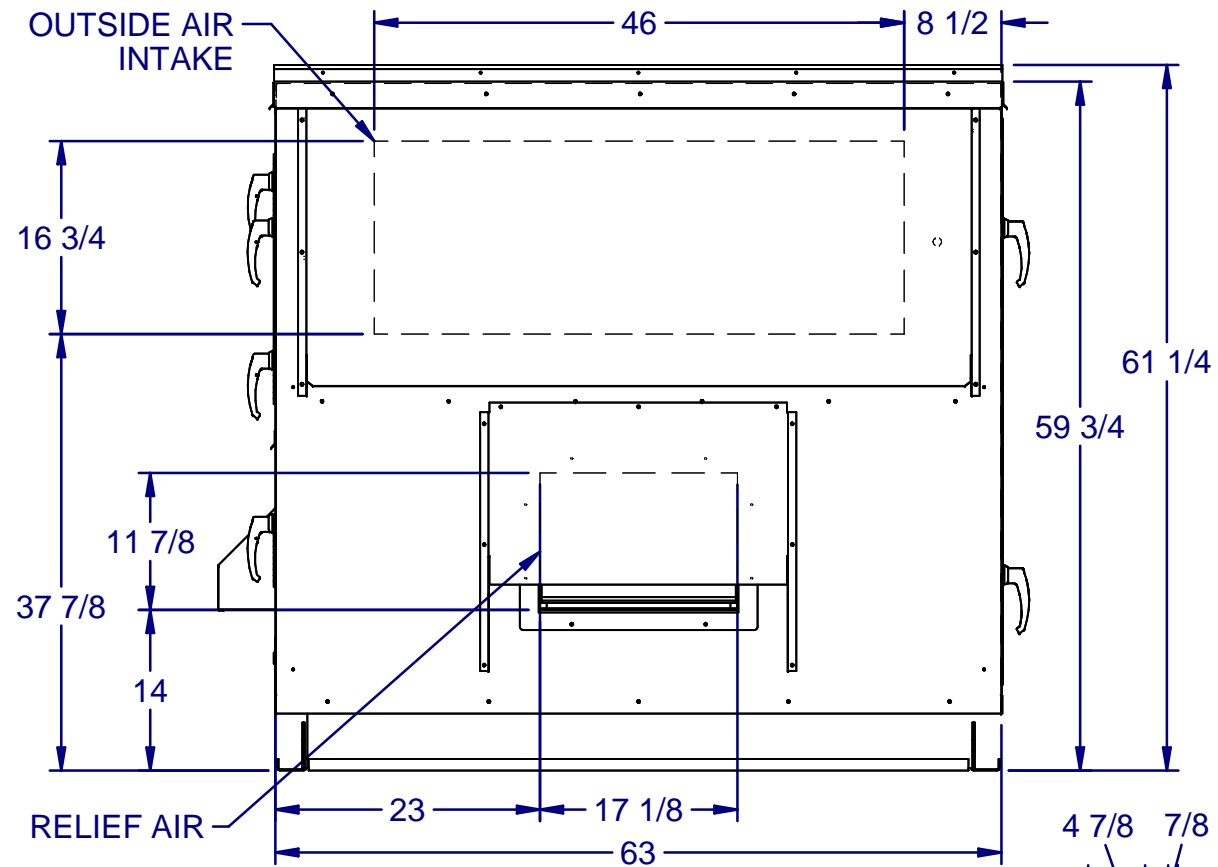


# 100% OUTSIDE AIR WITH BAROMETRIC RELIEF



DRAWING NUMBER: 05041-2494-2	1/7/2021
TITLE: PR B2 CAB NO EXH	1 OF 1