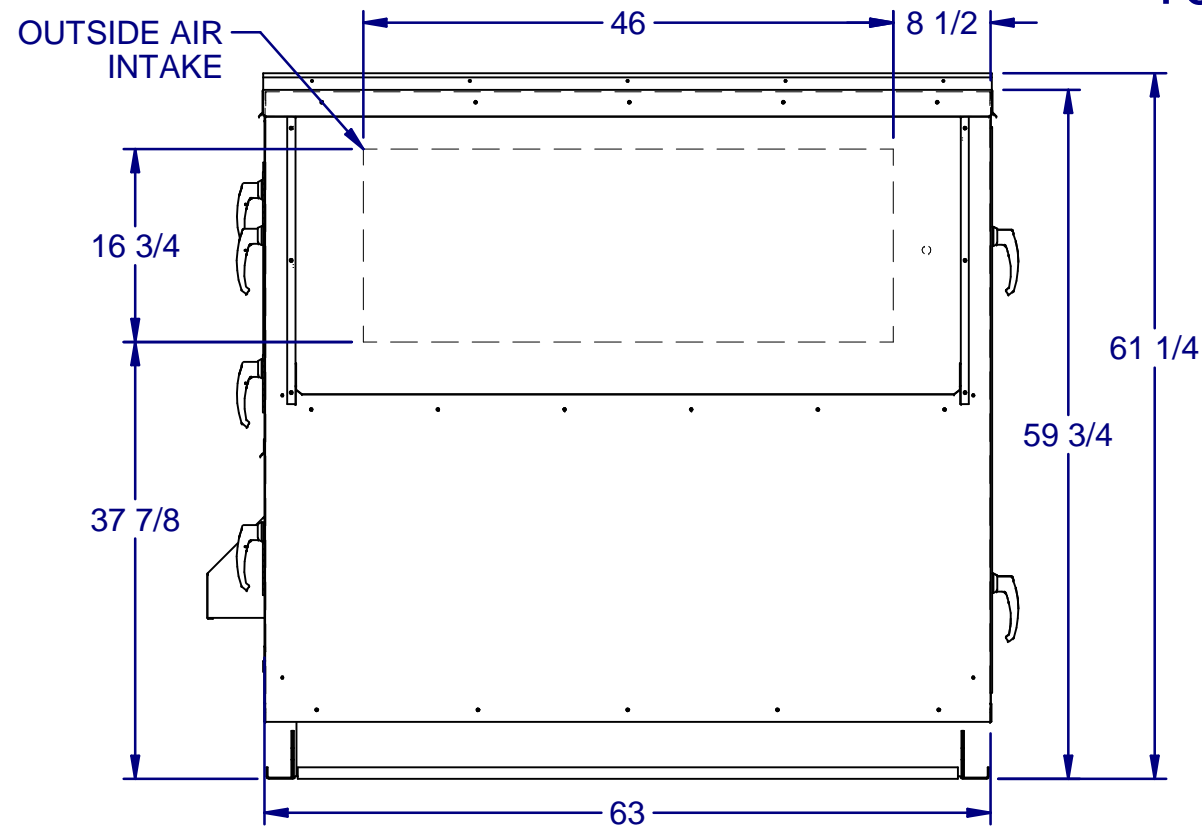
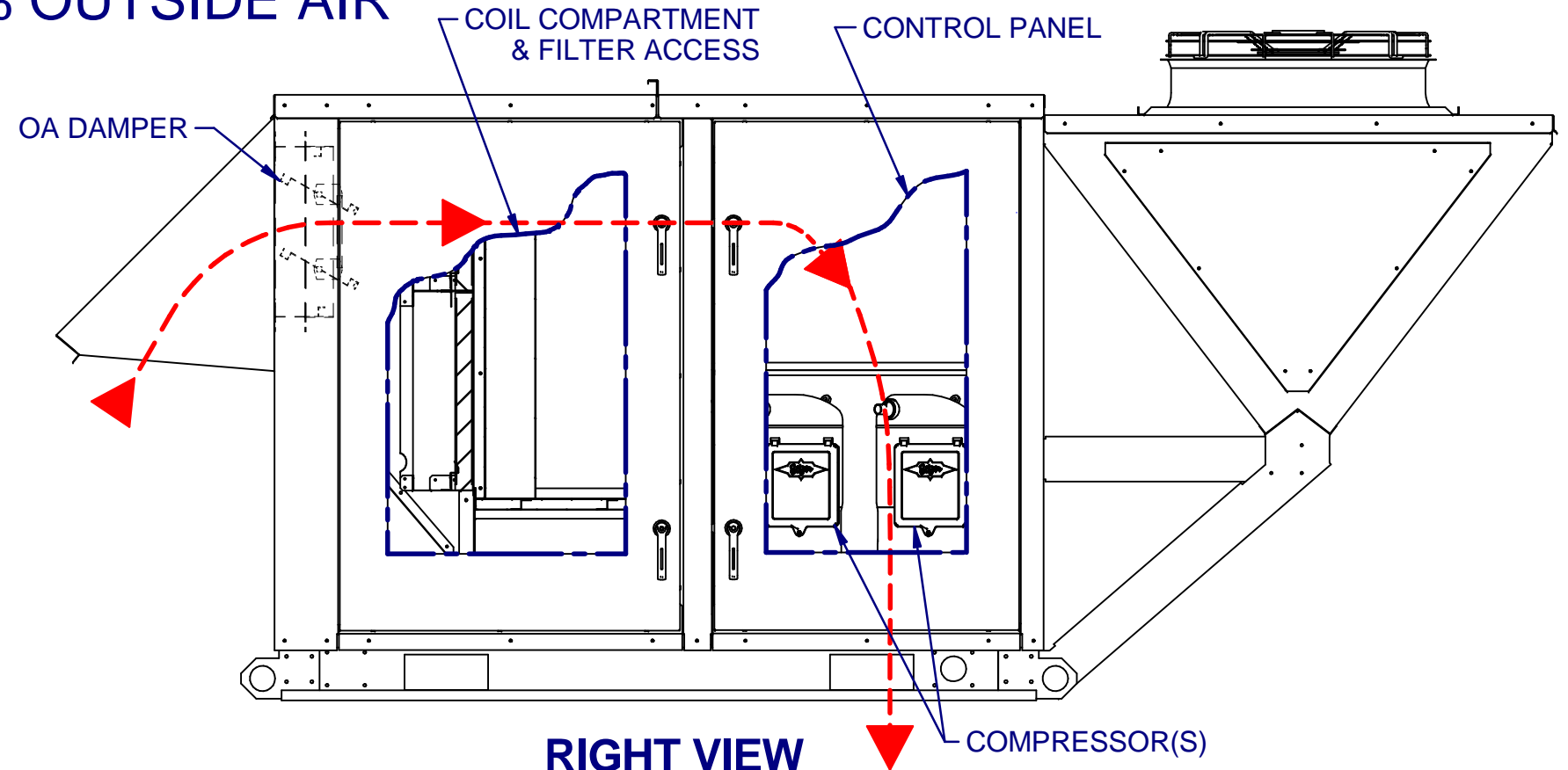


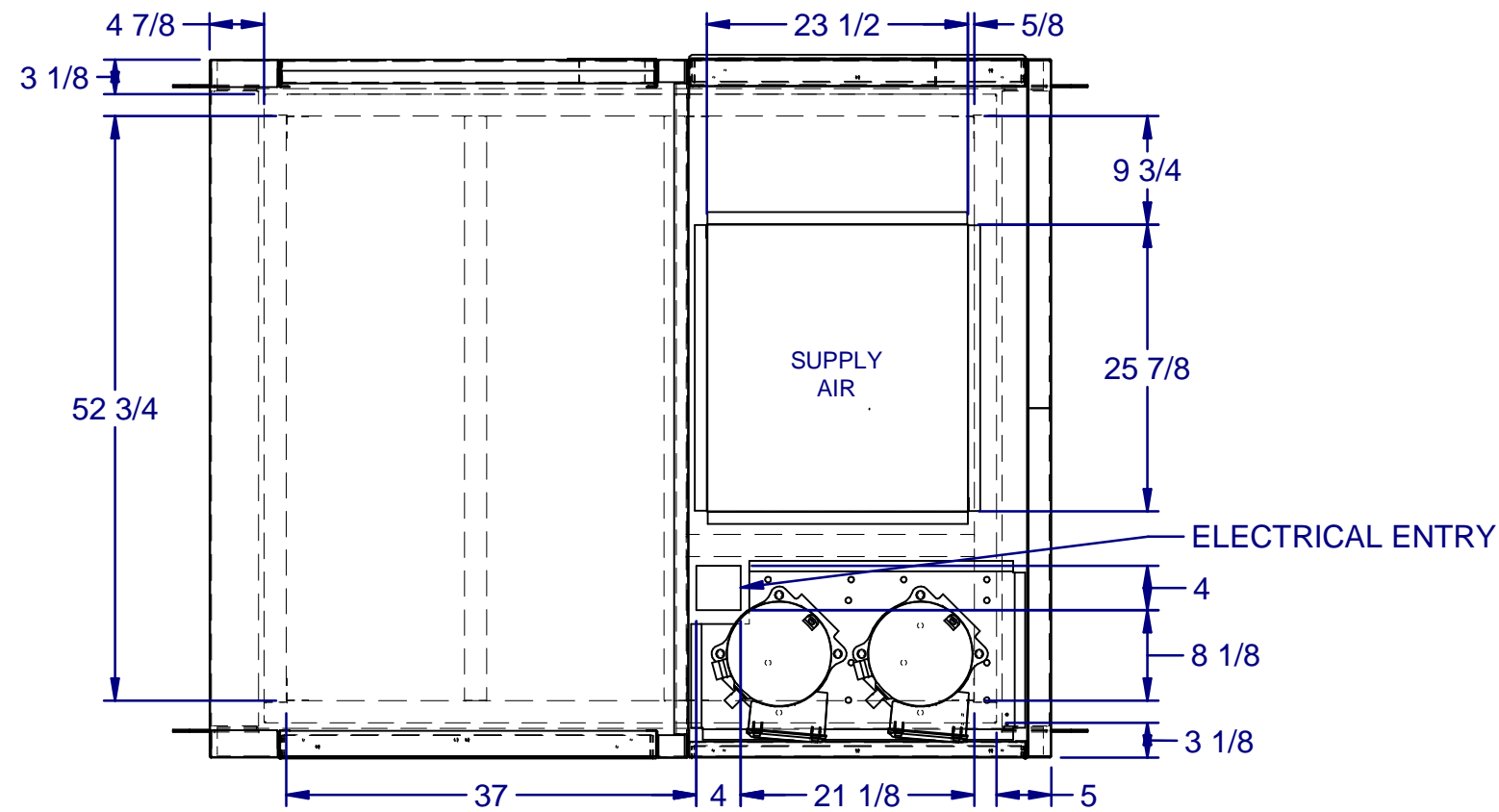
# 100% OUTSIDE AIR



**FRONT VIEW**



**RIGHT VIEW**



**TOP PLAN VIEW  
CONDENSING SIDE  
NOT SHOWN**

DRAWING NUMBER: 0504I-2494-4	1/7/2021
TITLE: PR B2 CAB NO EXH	1 OF 1