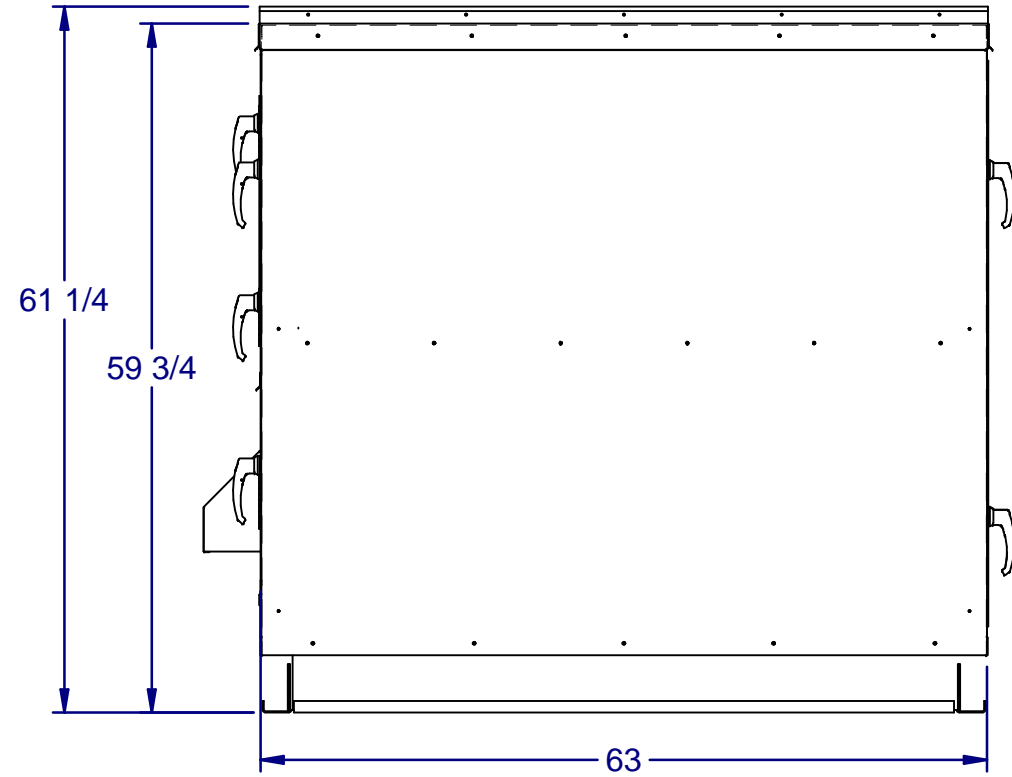
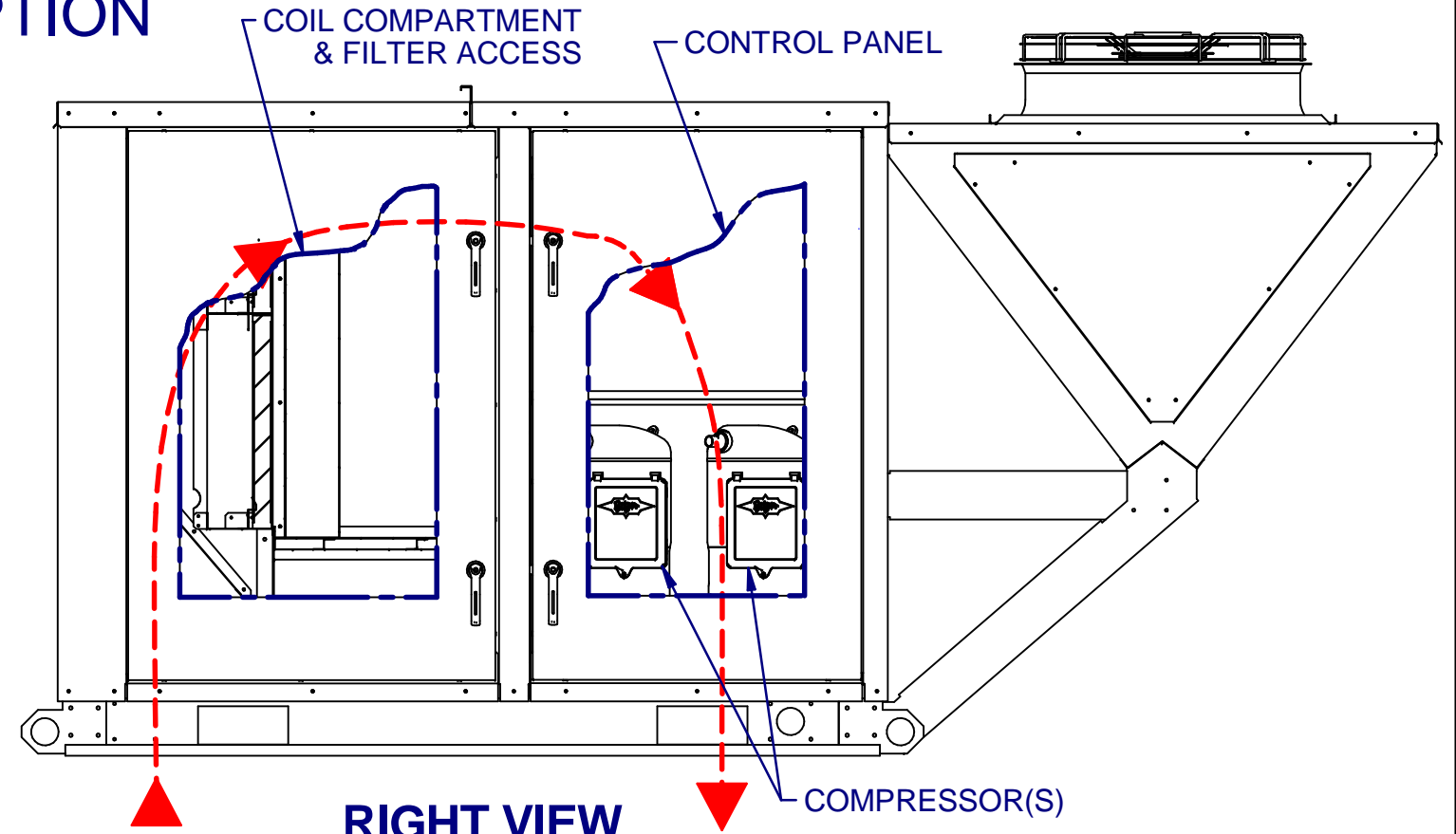


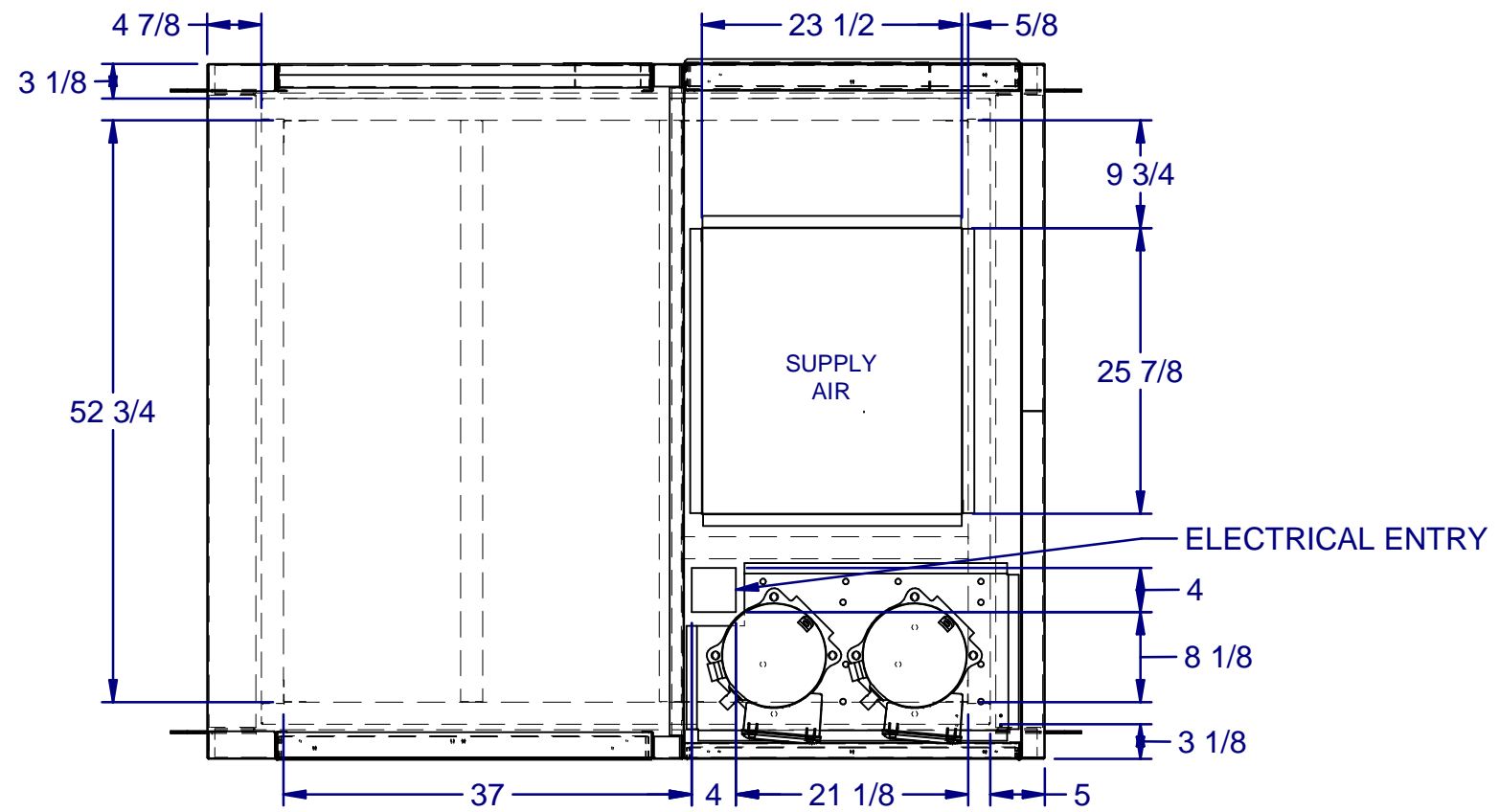
RECIRCULATING OPTION



FRONT VIEW



RIGHT VIEW



TOP PLAN VIEW
CONDENSING SIDE
NOT SHOWN

DRAWING NUMBER: 0504I-2494-5	1/7/2021
TITLE: PR B2 CAB NO EXH	1 OF 1