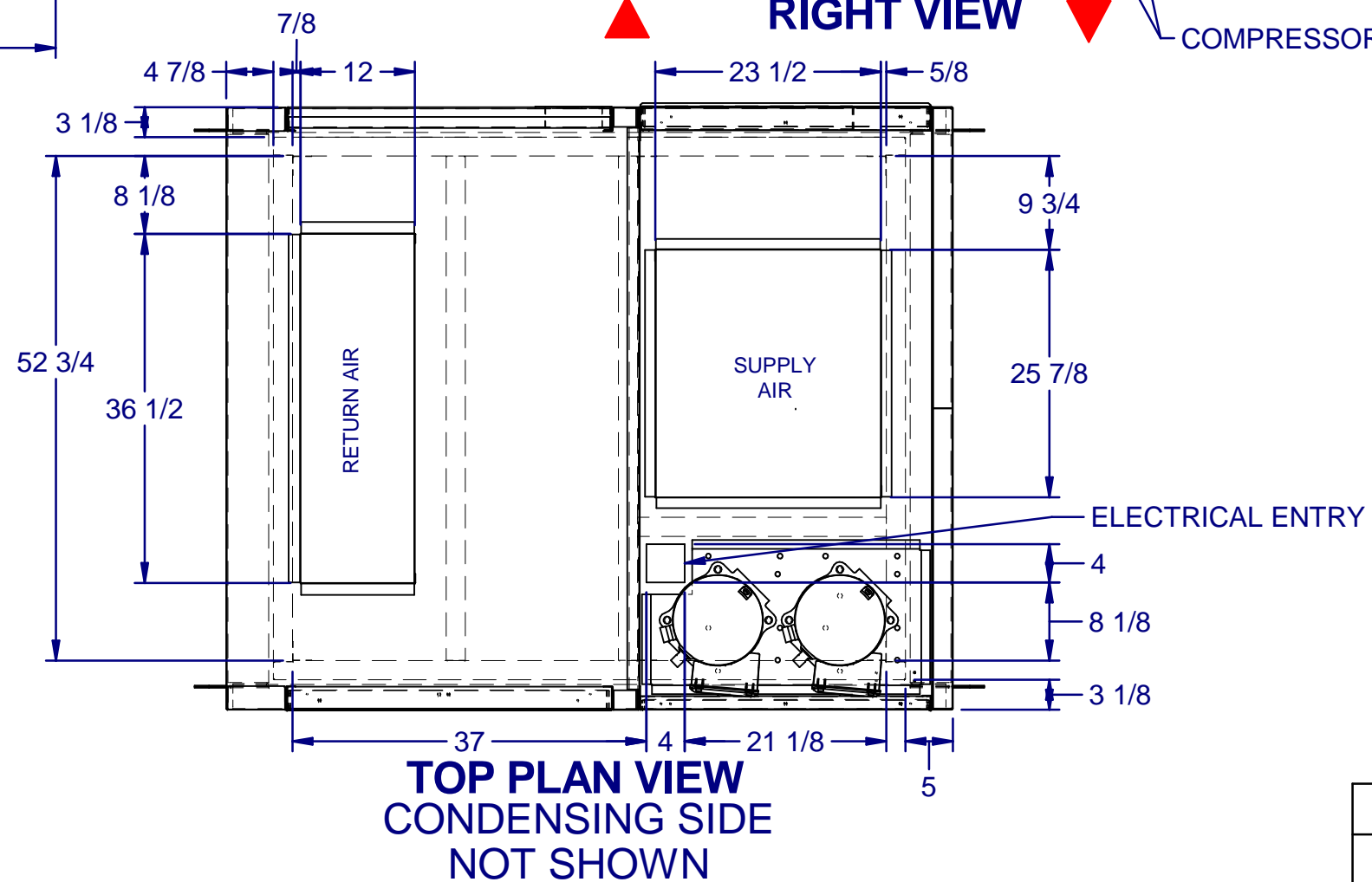
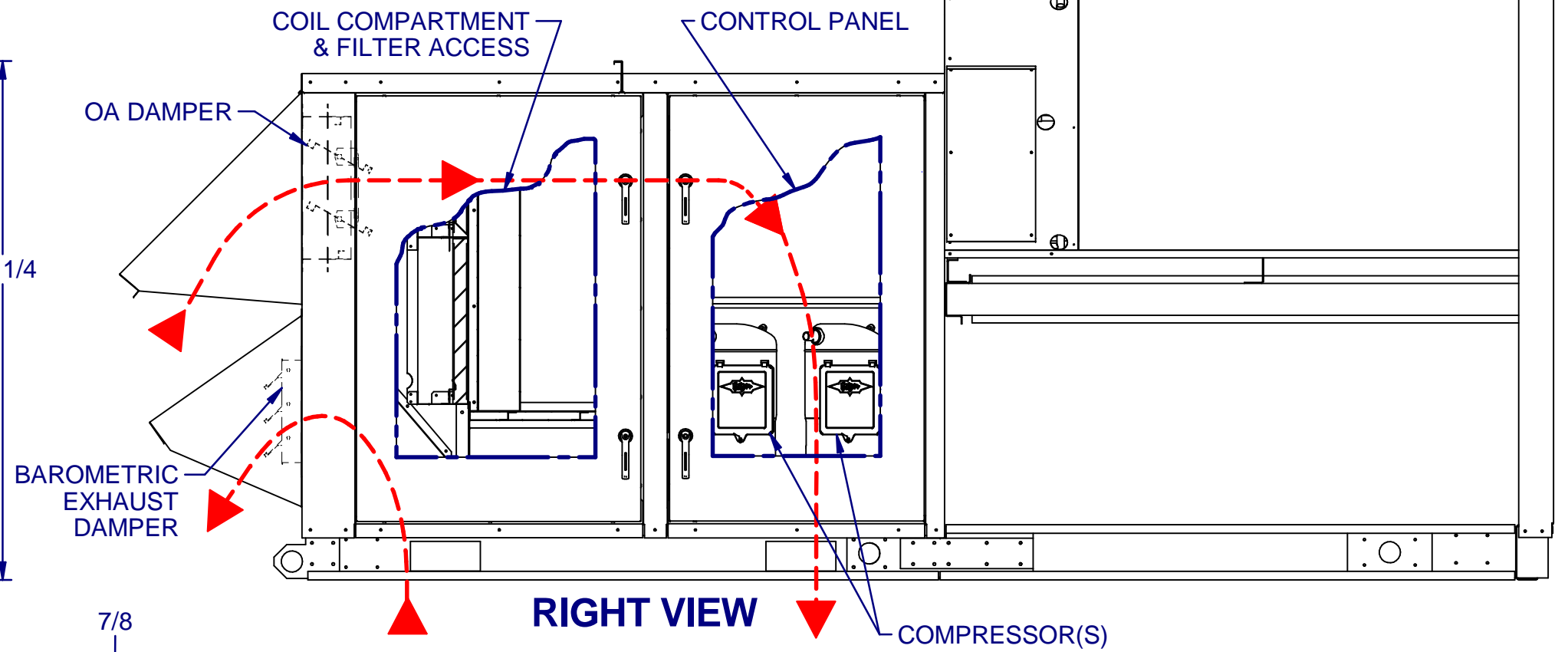
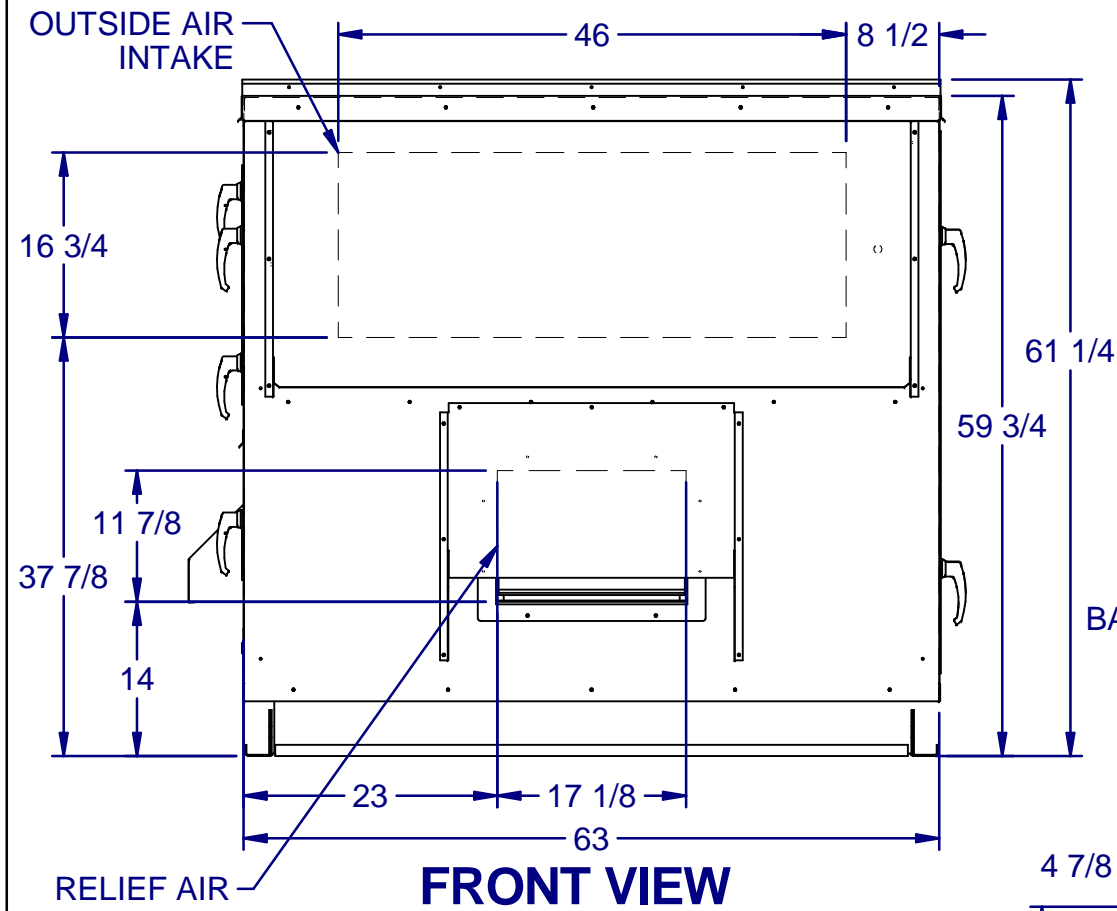


100% OUTSIDE AIR WITH BAROMETRIC RELIEF



DRAWING NUMBER: 0504I-2496-2	1/19/2021
TITLE: PR B4 CAB NO EXH	1 OF 1