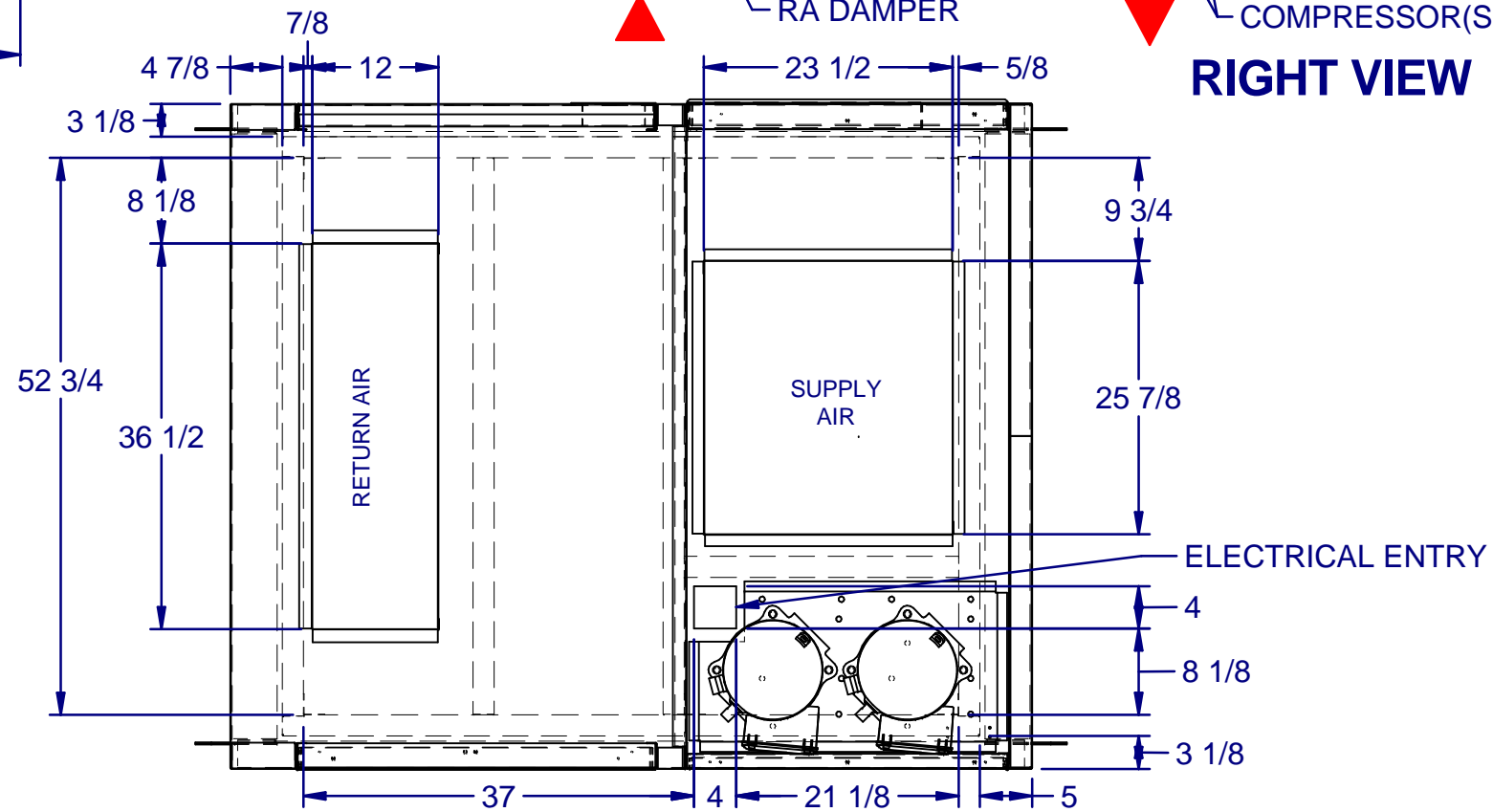
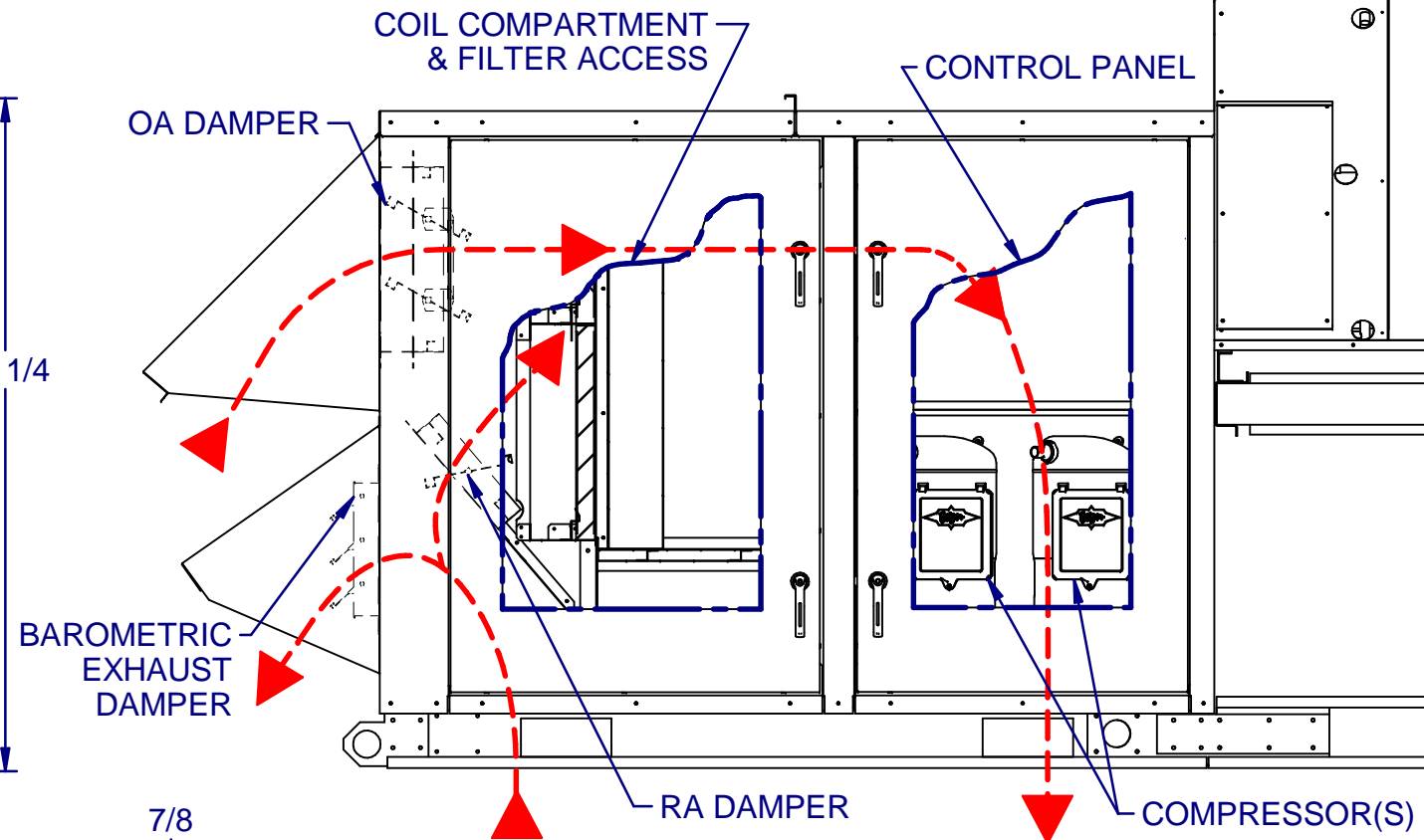
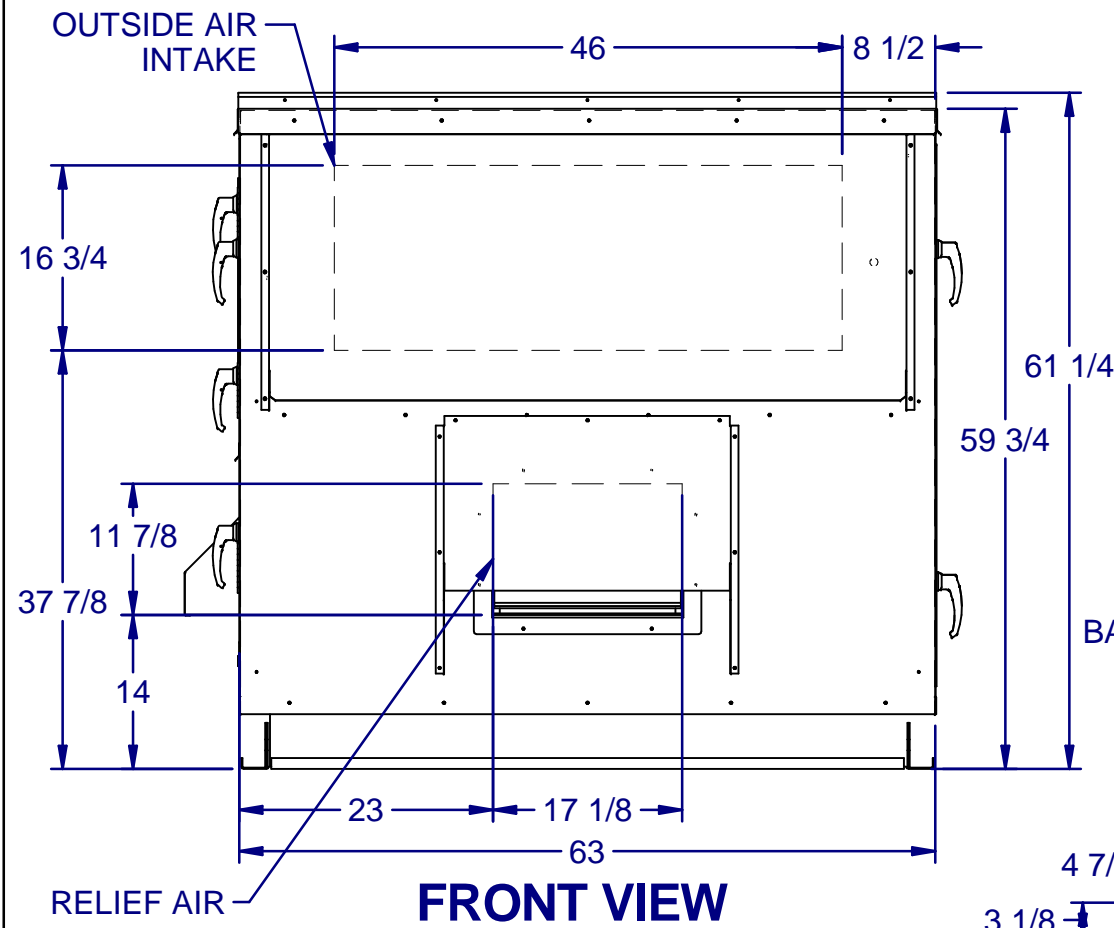


# 100% OUTSIDE AIR WITH RECIRCULATING OPTION OR MIXED AIR



DRAWING NUMBER: 0504I-2496-3	1/19/2021
TITLE: PR B4 CAB NO EXH	1 OF 1