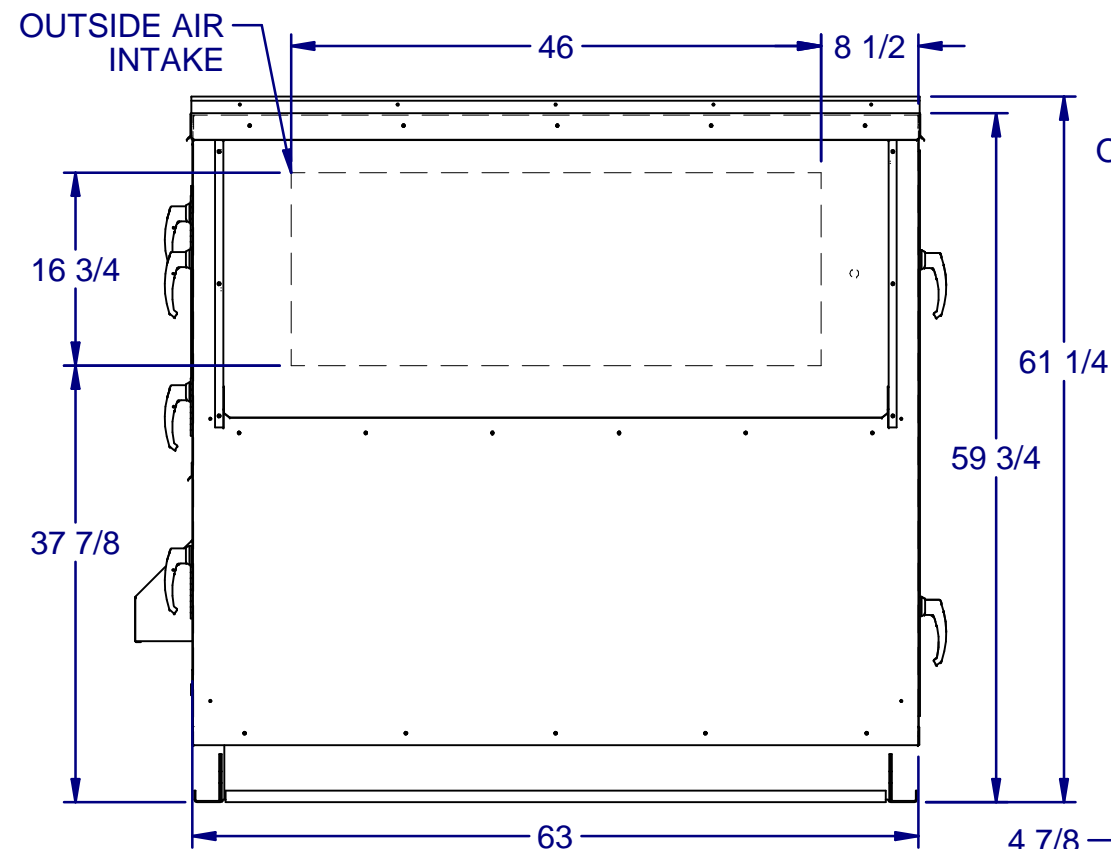
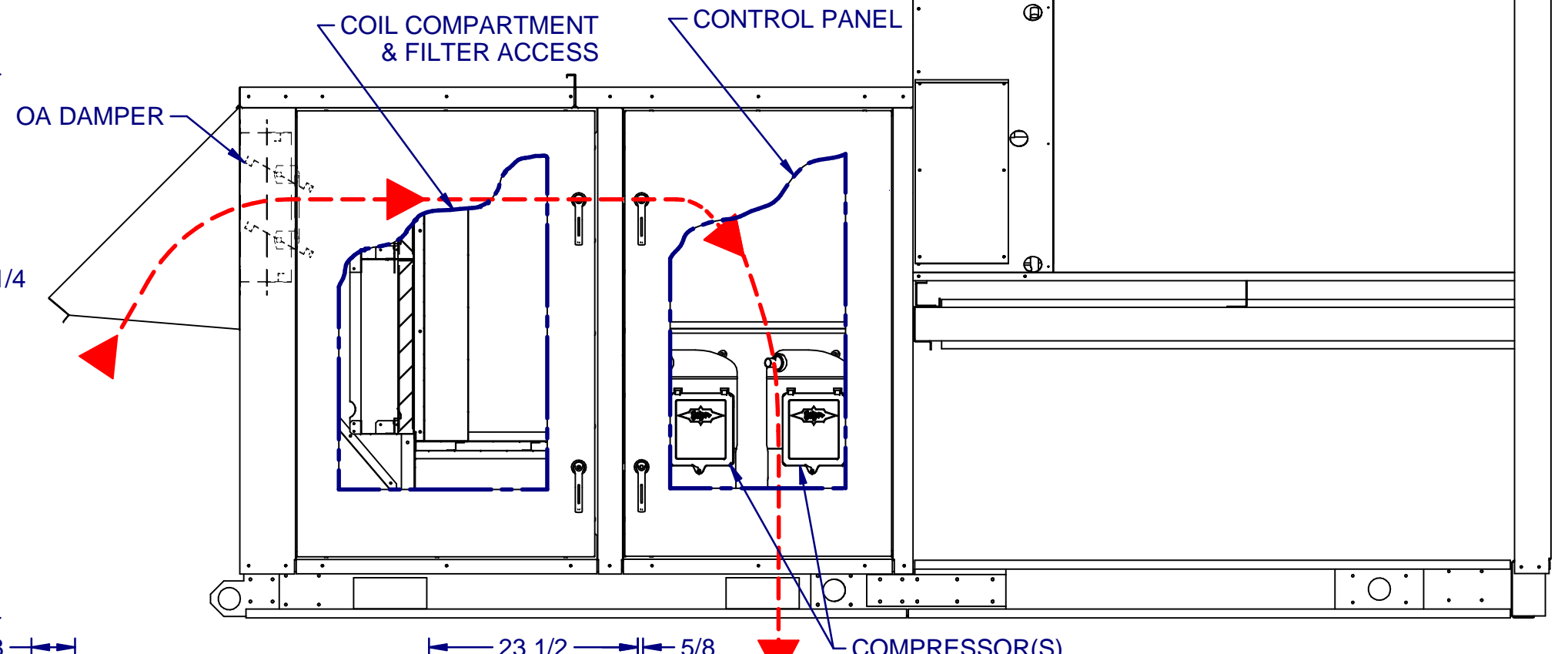


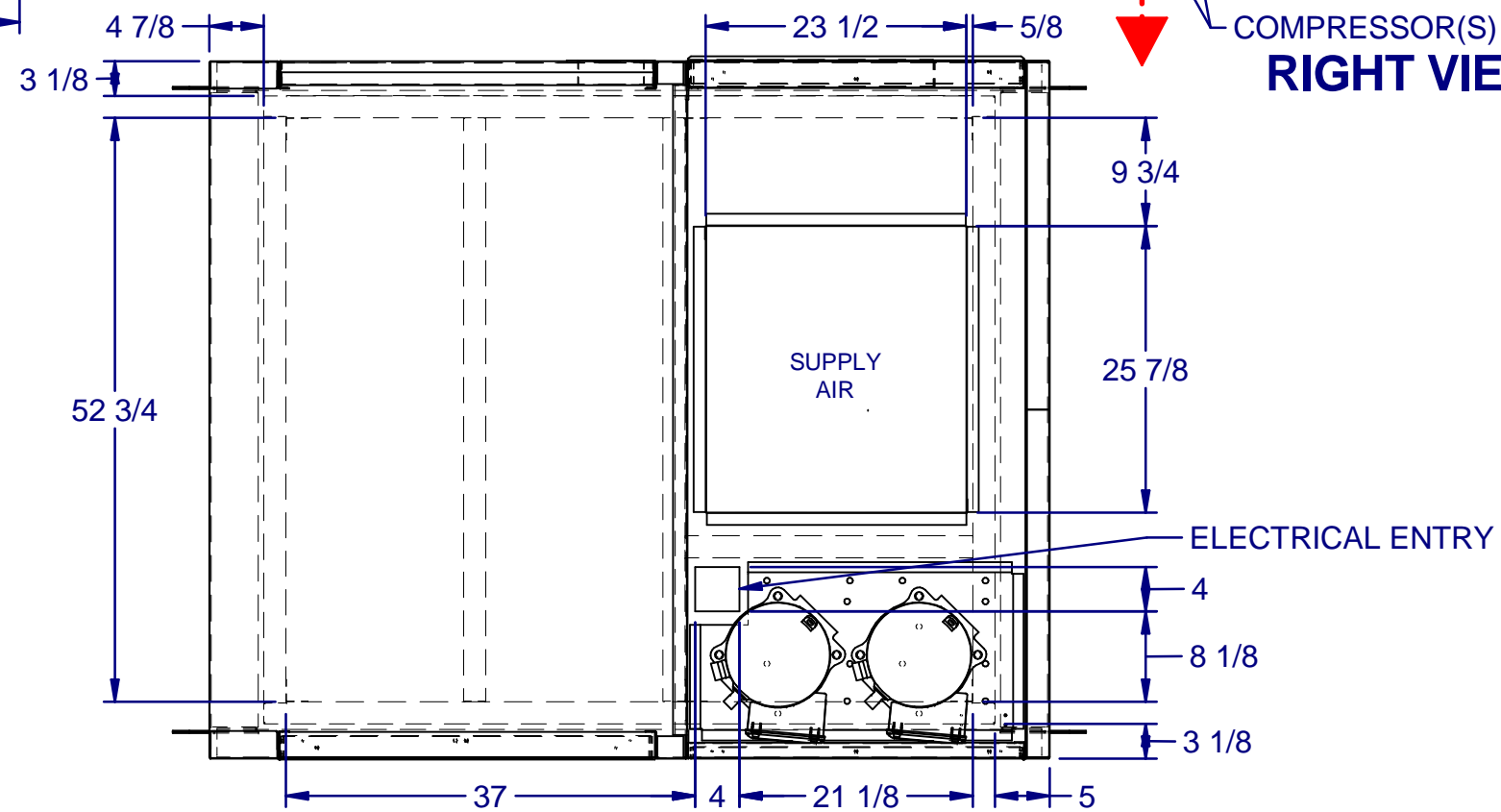
# 100% OUTSIDE AIR



**FRONT VIEW**



**RIGHT VIEW**



**TOP PLAN VIEW**  
CONDENSING SIDE  
NOT SHOWN

|                              |           |
|------------------------------|-----------|
| DRAWING NUMBER: 0504I-2496-4 | 1/19/2021 |
| TITLE: PR B4 CAB NO EXH      | 1 OF 1    |