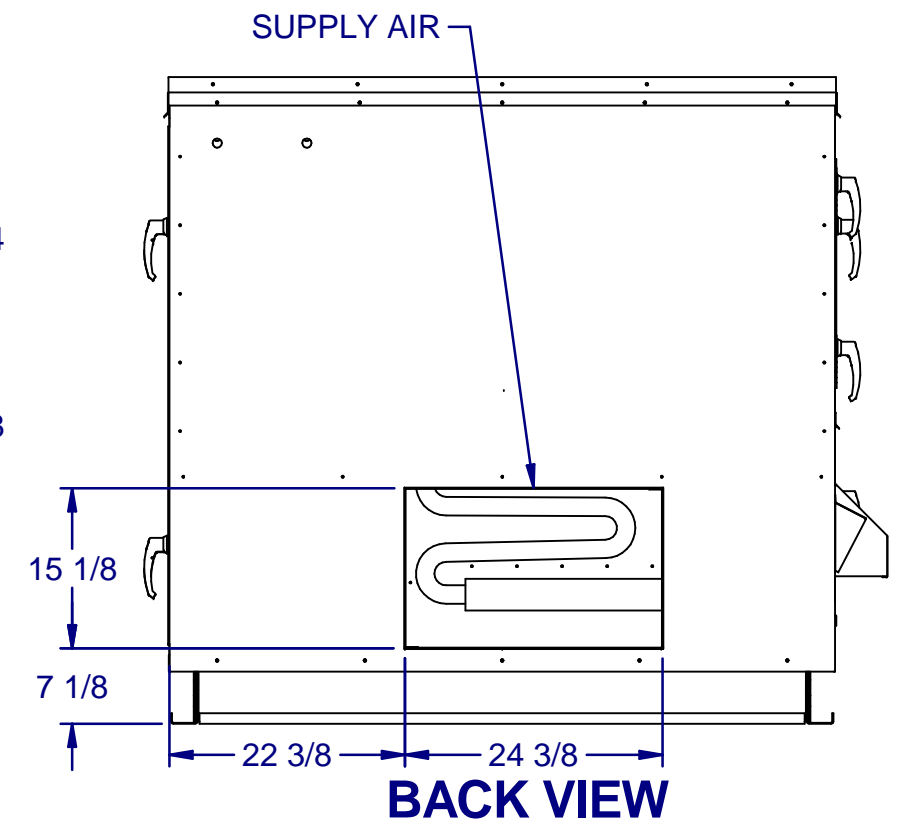
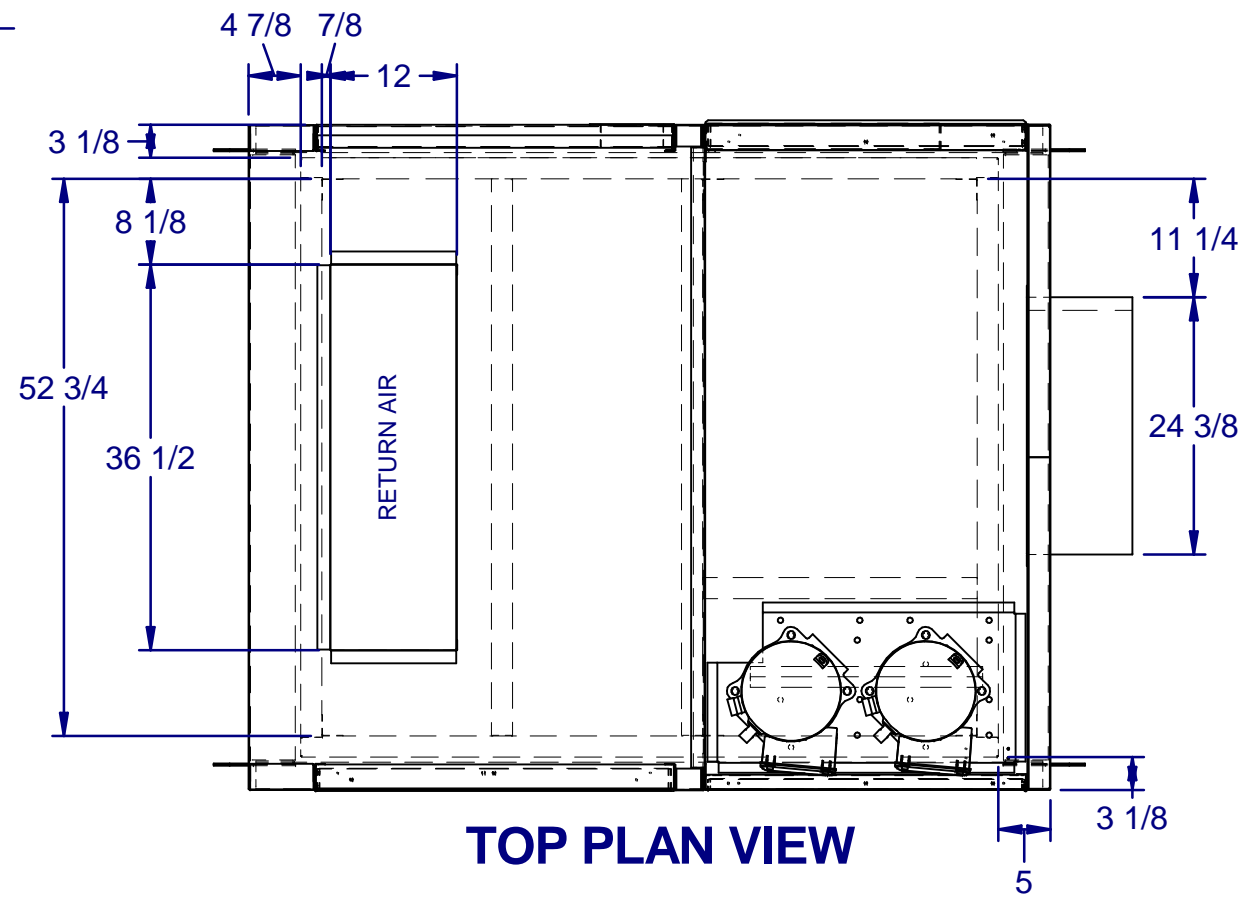
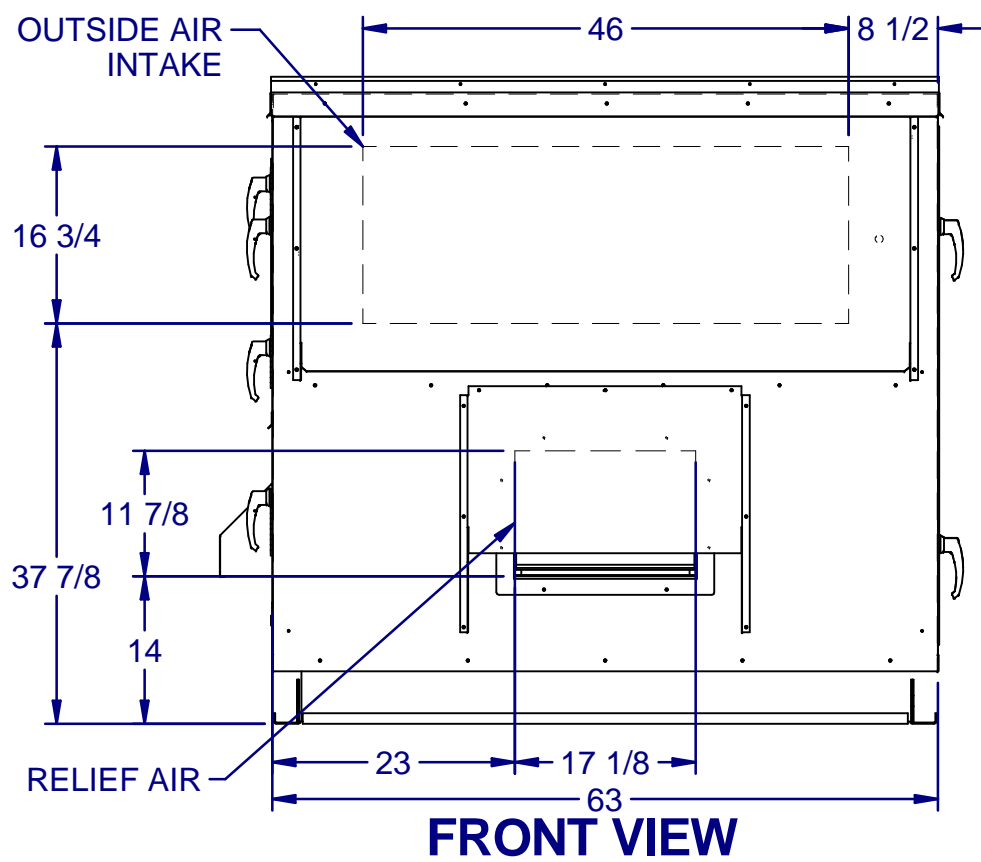
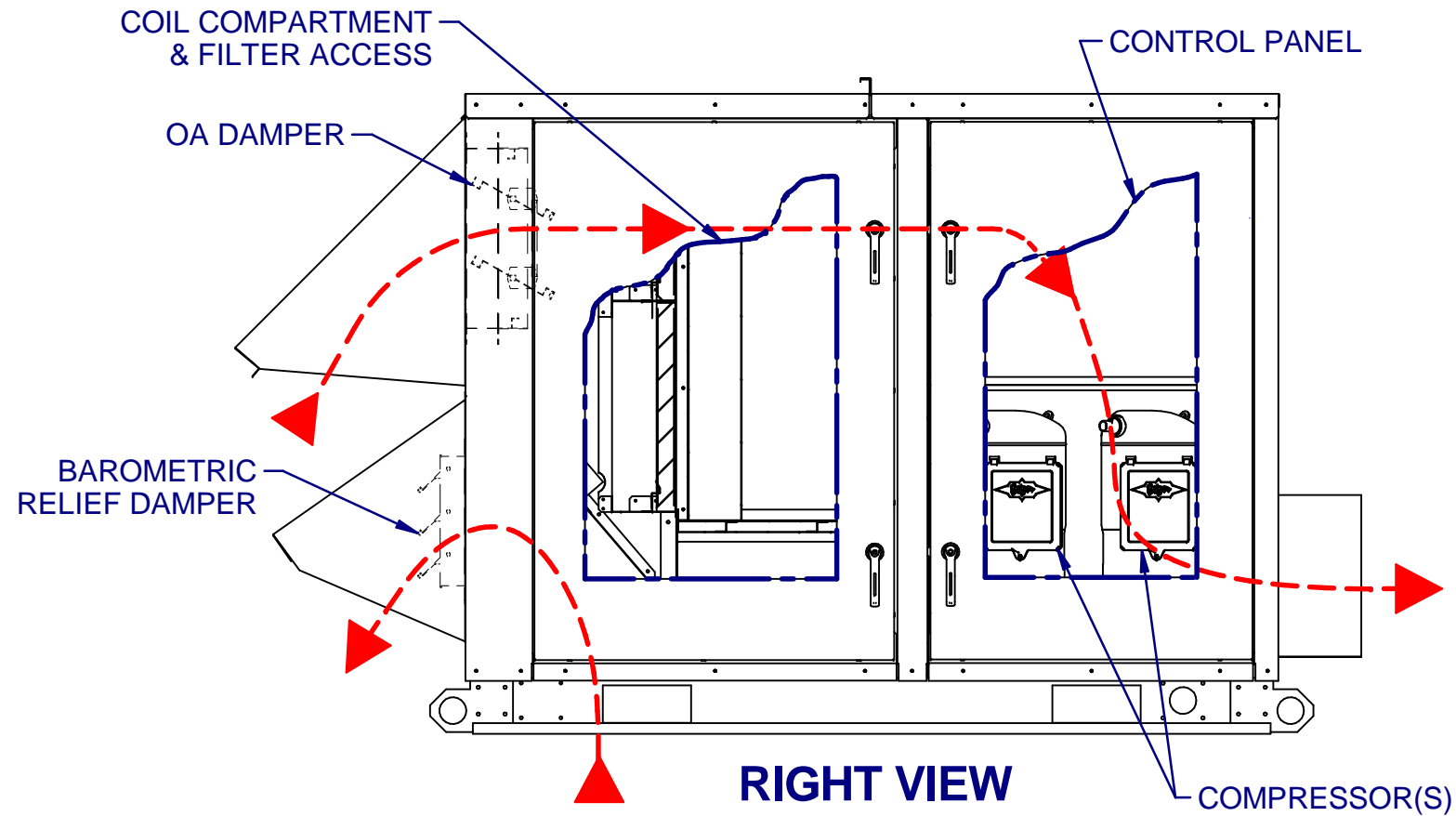


100% OUTSIDE AIR WITH BAROMETRIC RELIEF



DRAWING NUMBER: 05041-2498-2	1/27/2021
TITLE: PR F B CAB NO EXH HOR	1 OF 1