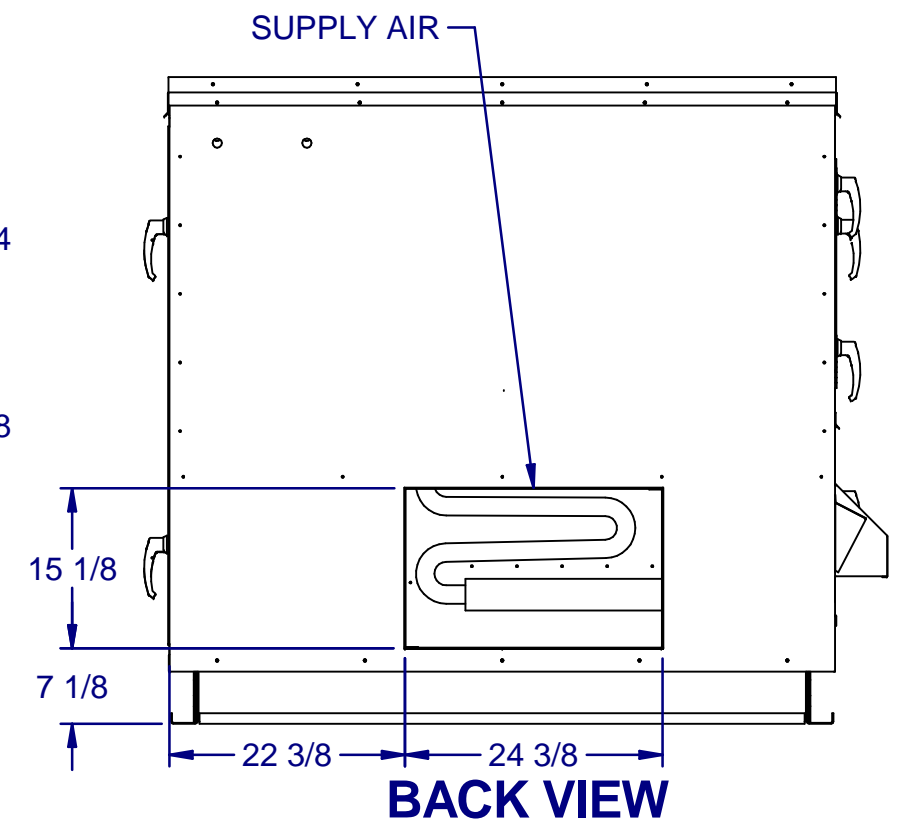
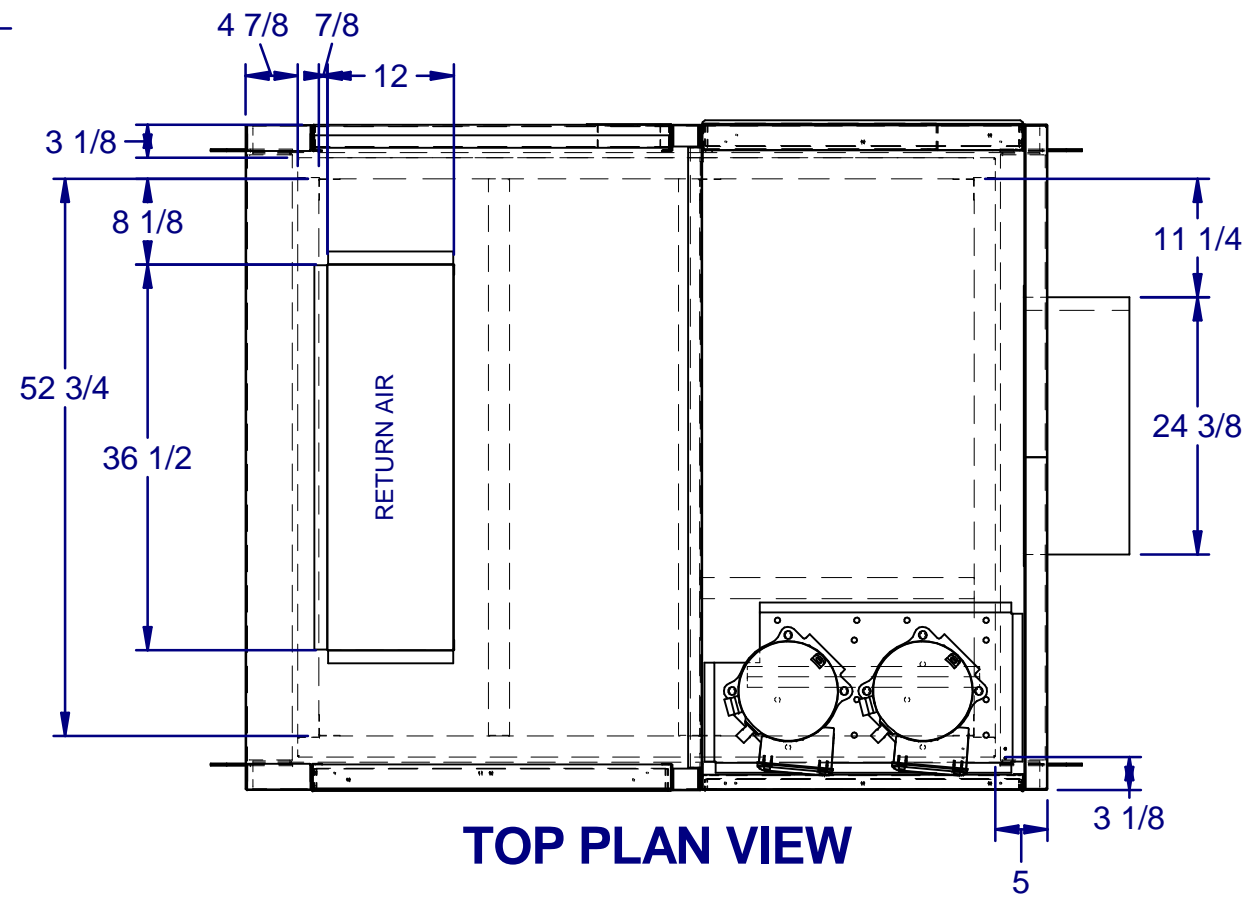
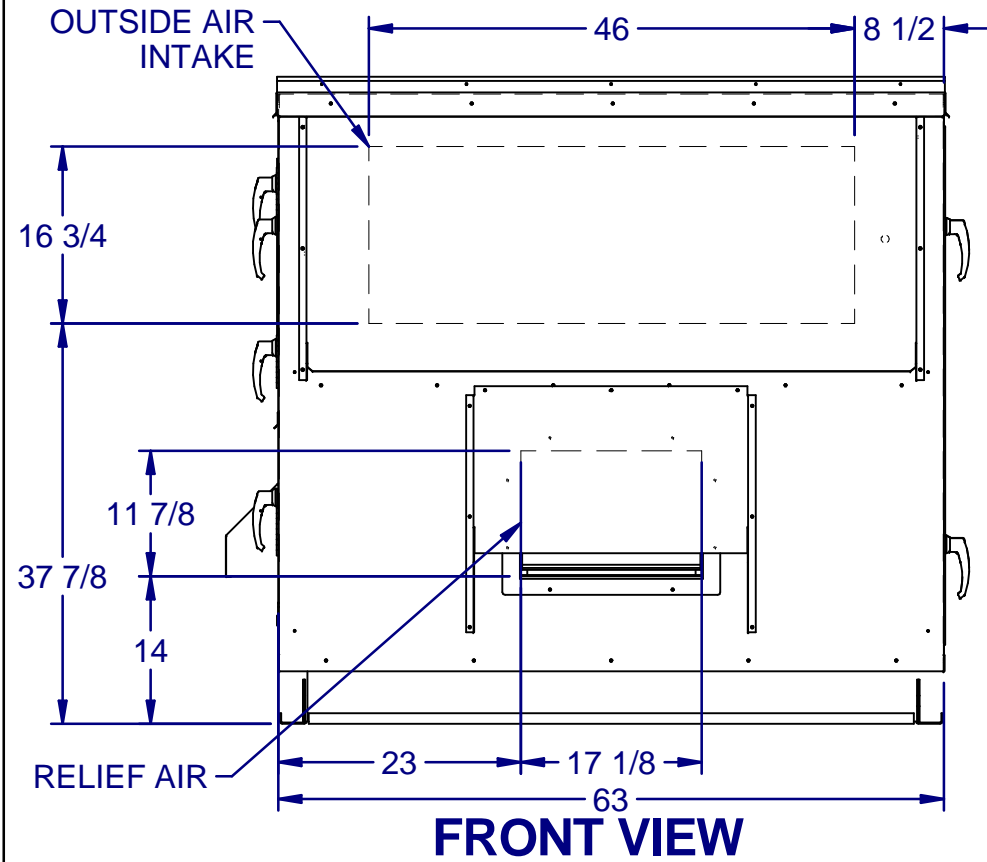
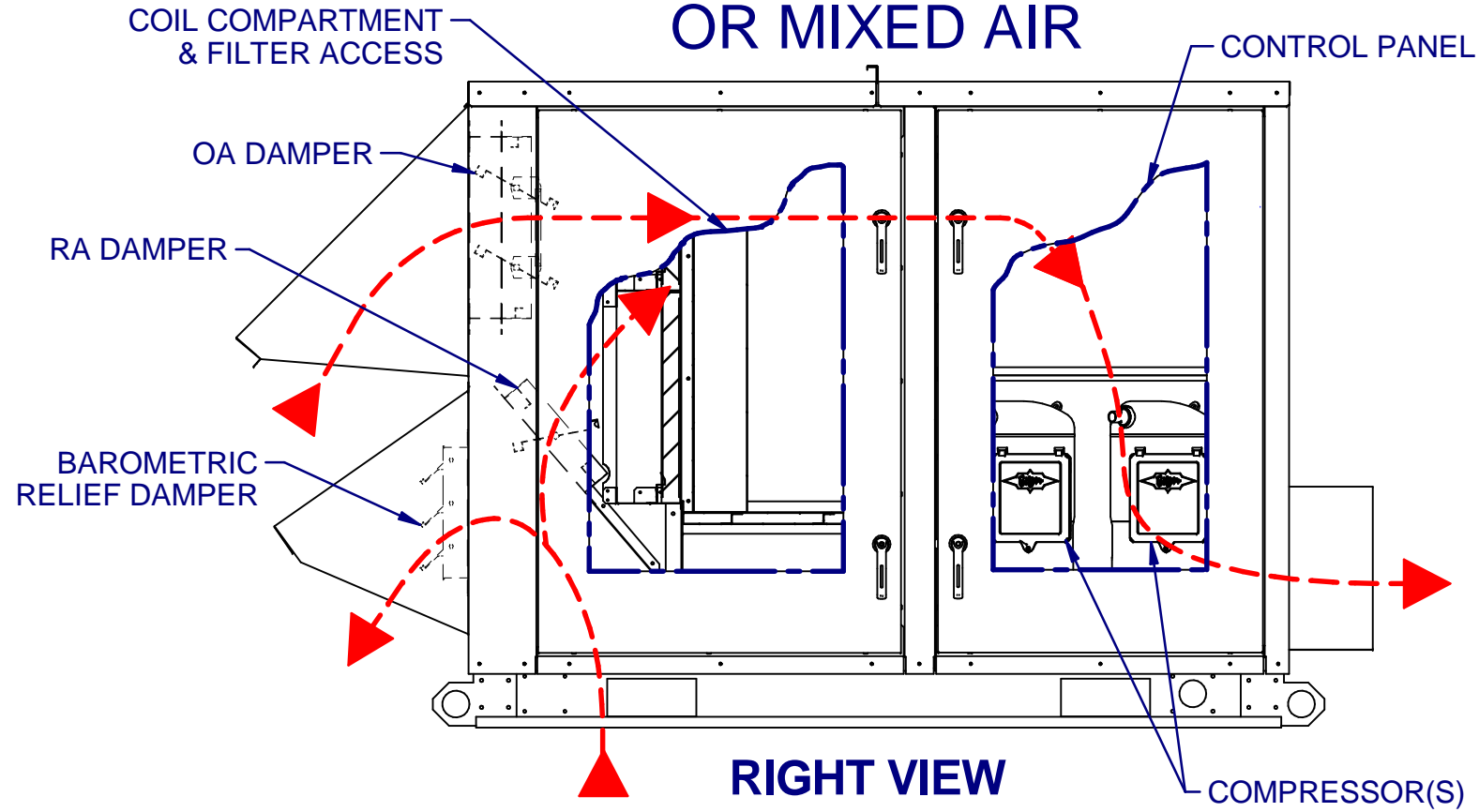


100% OUTSIDE AIR WITH RECIRCULATING OPTION OR MIXED AIR



DRAWING NUMBER: 05041-2498-3	2/1/2021
TITLE: PR F B CAB NO EXH HOR	1 OF 1