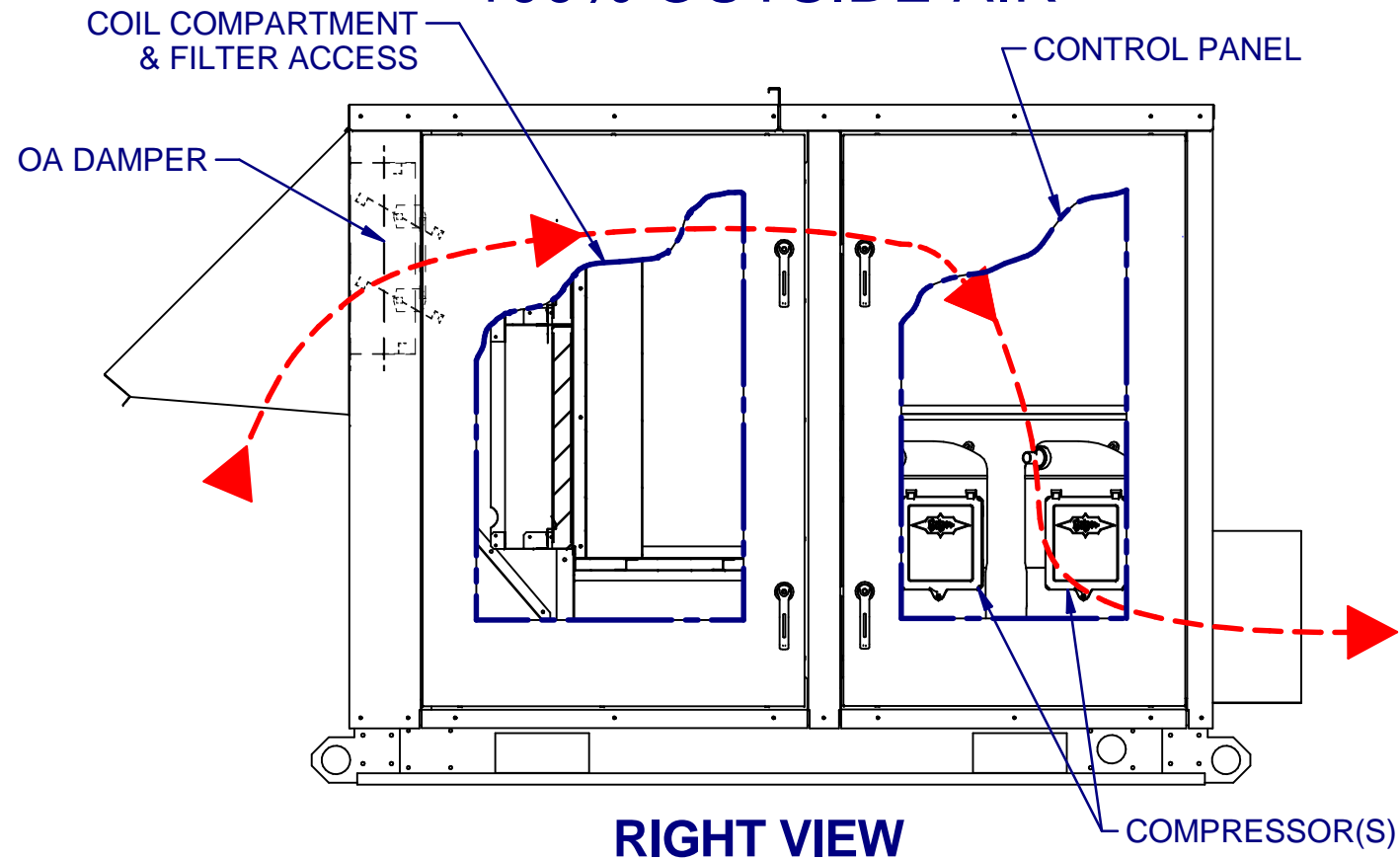
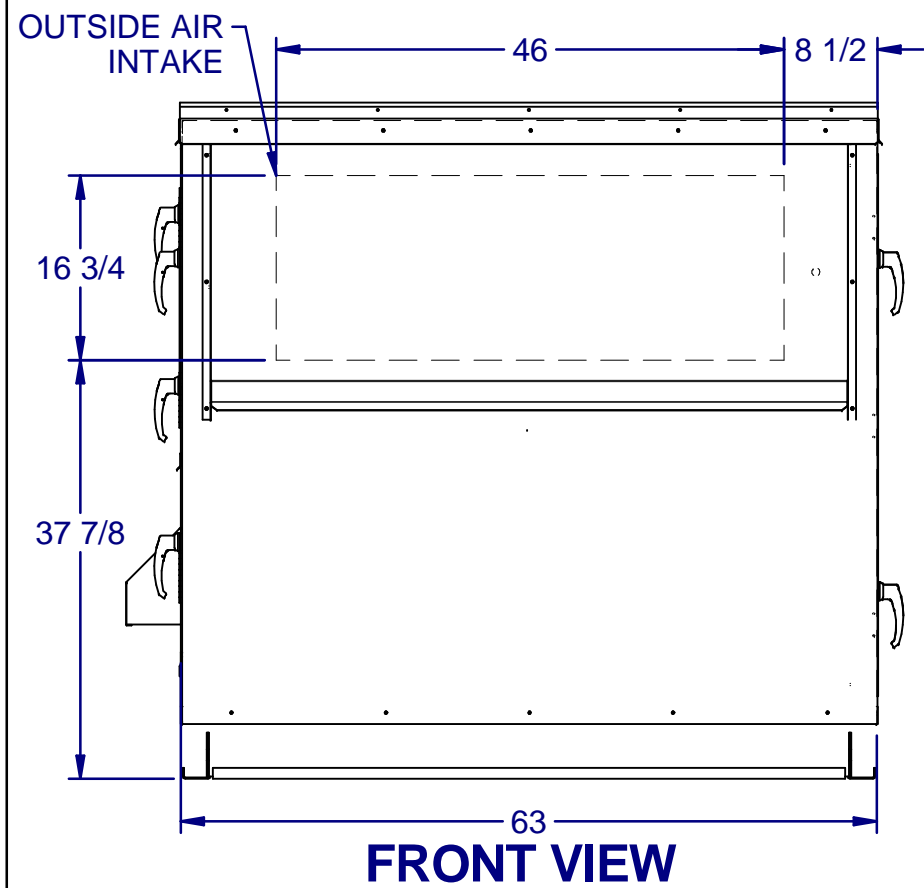


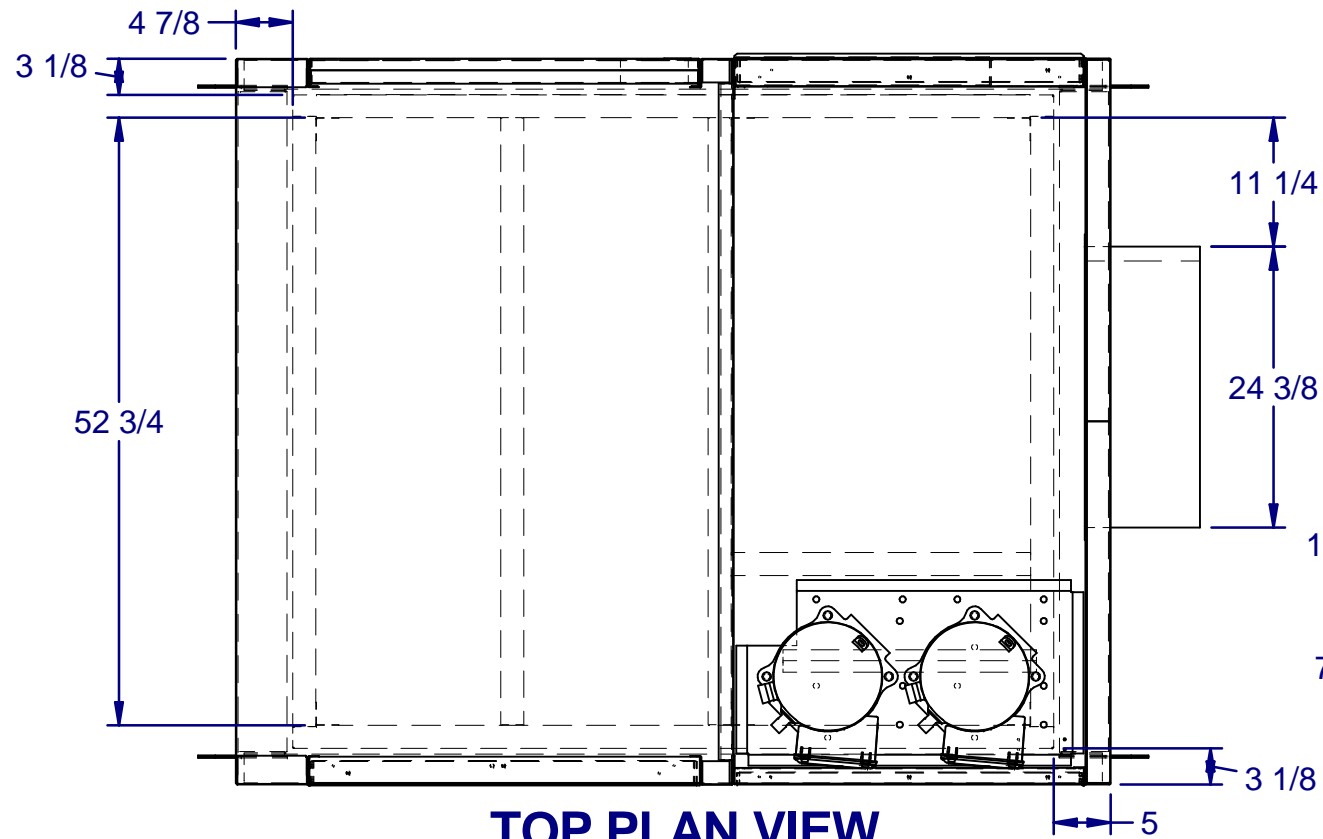
# 100% OUTSIDE AIR



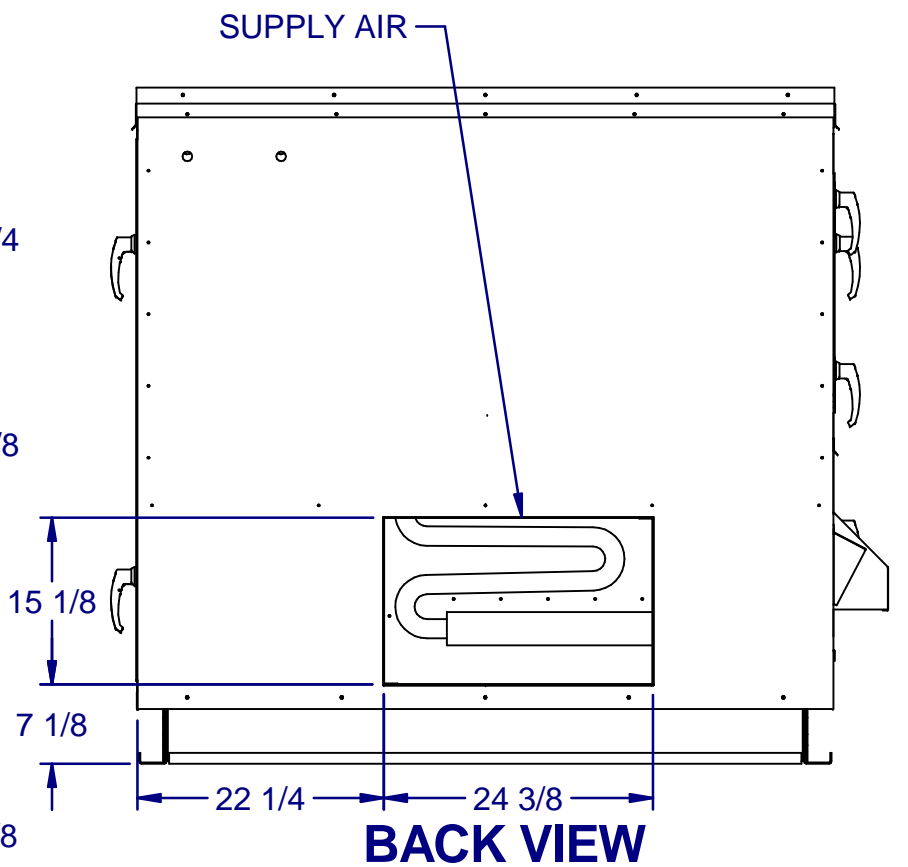
**RIGHT VIEW**



**FRONT VIEW**



**TOP PLAN VIEW**



**BACK VIEW**

DRAWING NUMBER: 05041-2498-4	2/1/2021
TITLE: PR F B CAB NO EXH HOR	1 OF 1