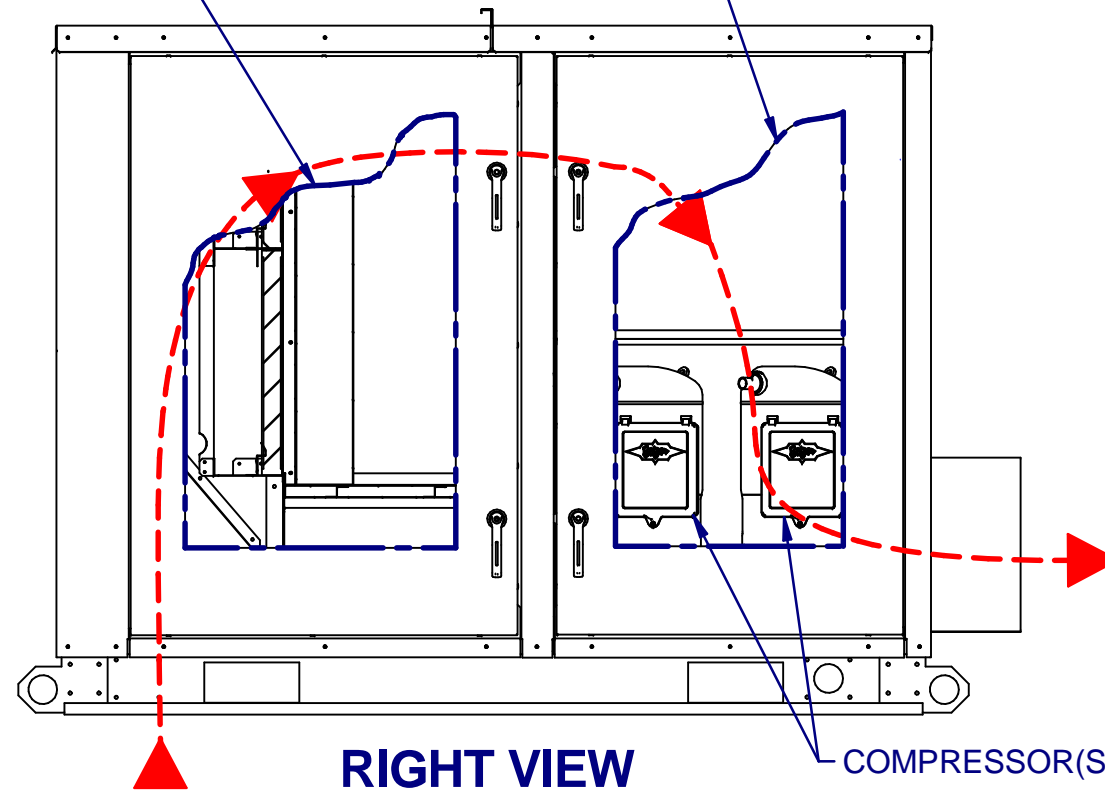


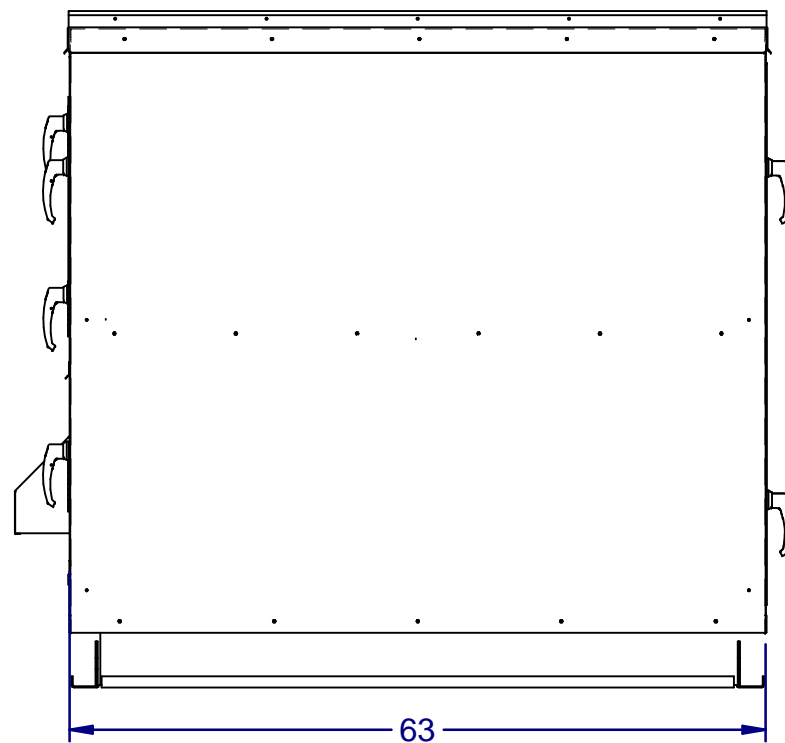
# RECIRCULATING OPTION

COIL COMPARTMENT & FILTER ACCESS

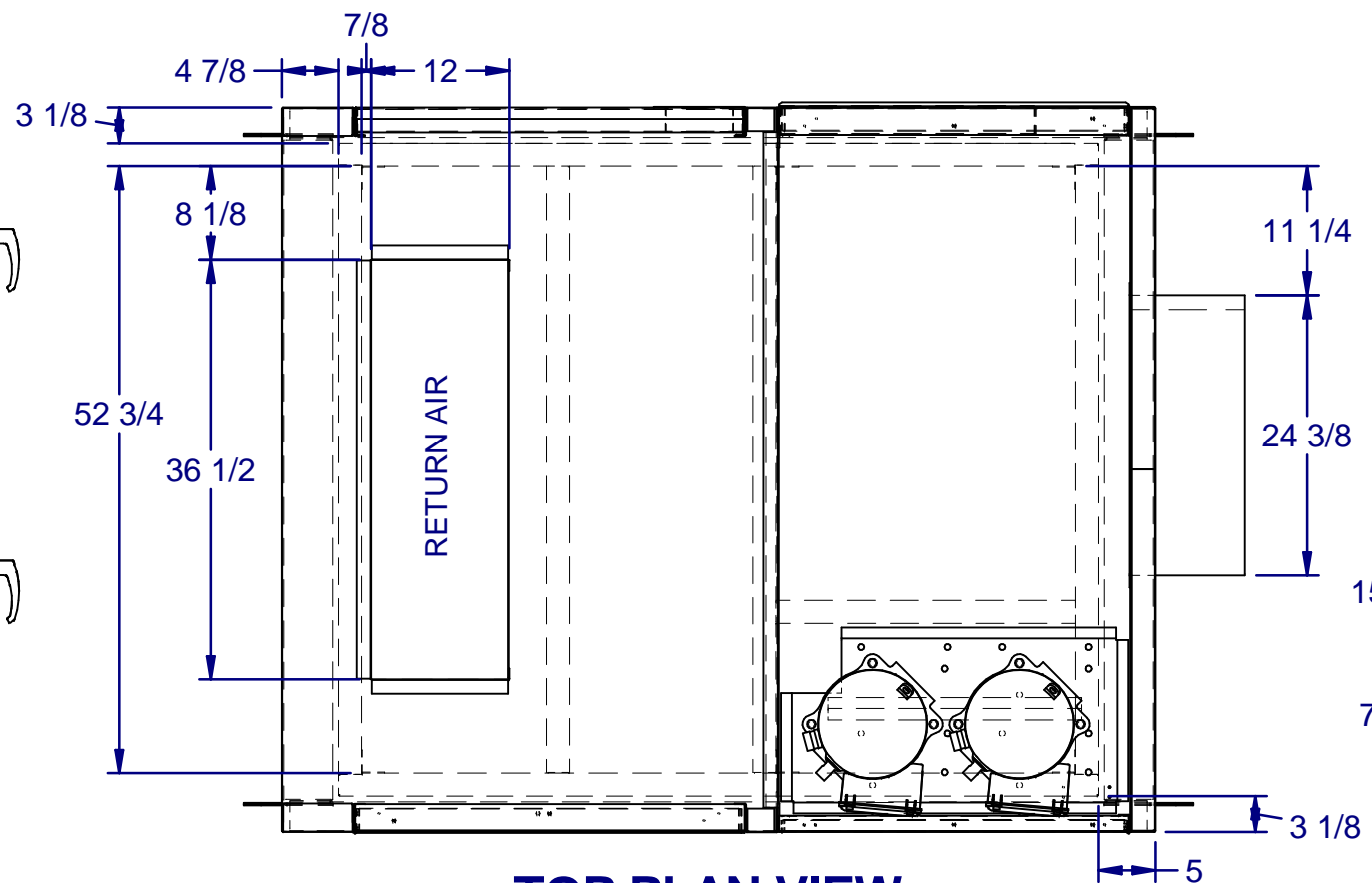
CONTROL PANEL



**RIGHT VIEW**

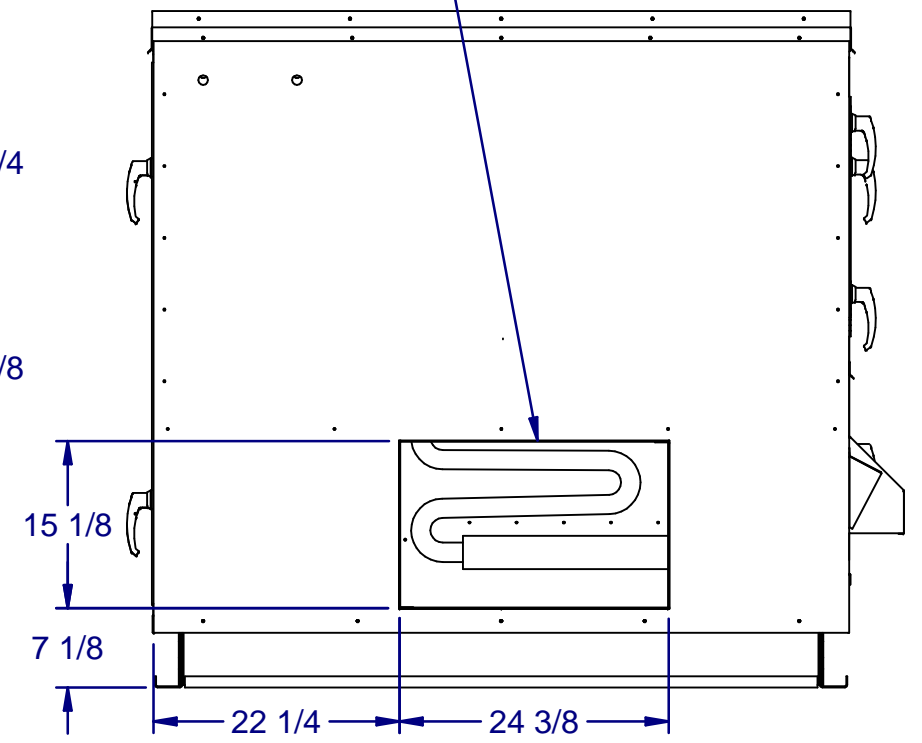


**FRONT VIEW**



**TOP PLAN VIEW**

SUPPLY AIR



**BACK VIEW**

DRAWING NUMBER: 05041-2498-5	2/1/2021
TITLE: PR F B CAB NO EXH HOR	1 OF 1