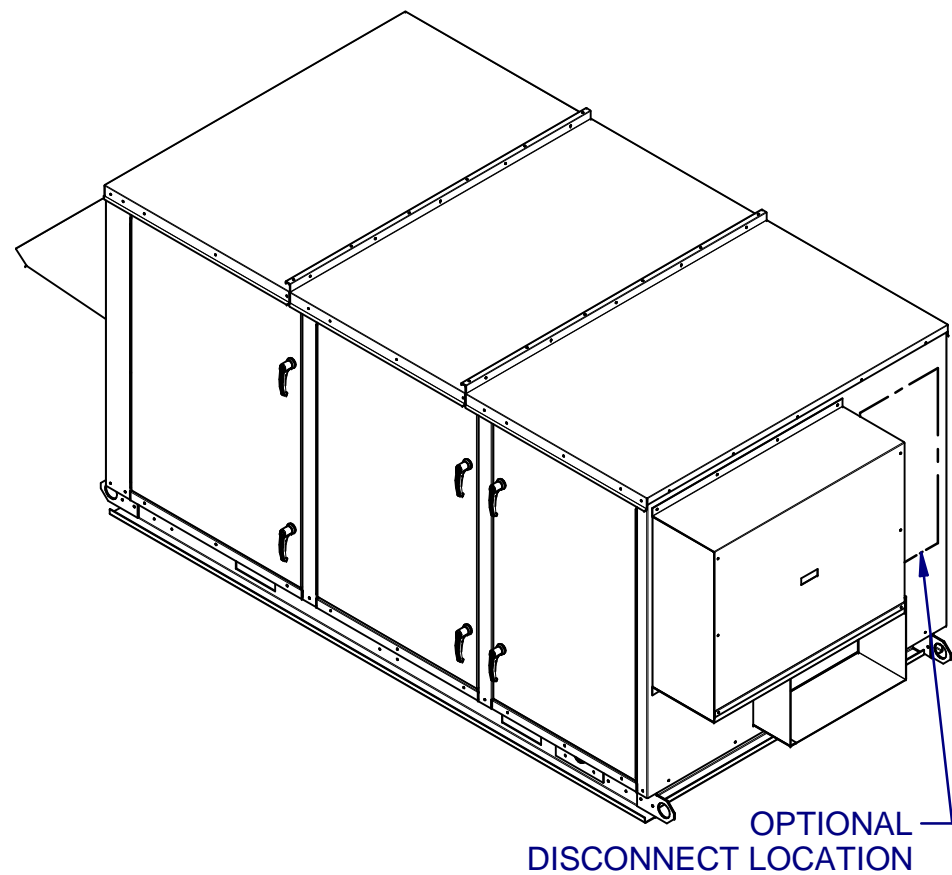
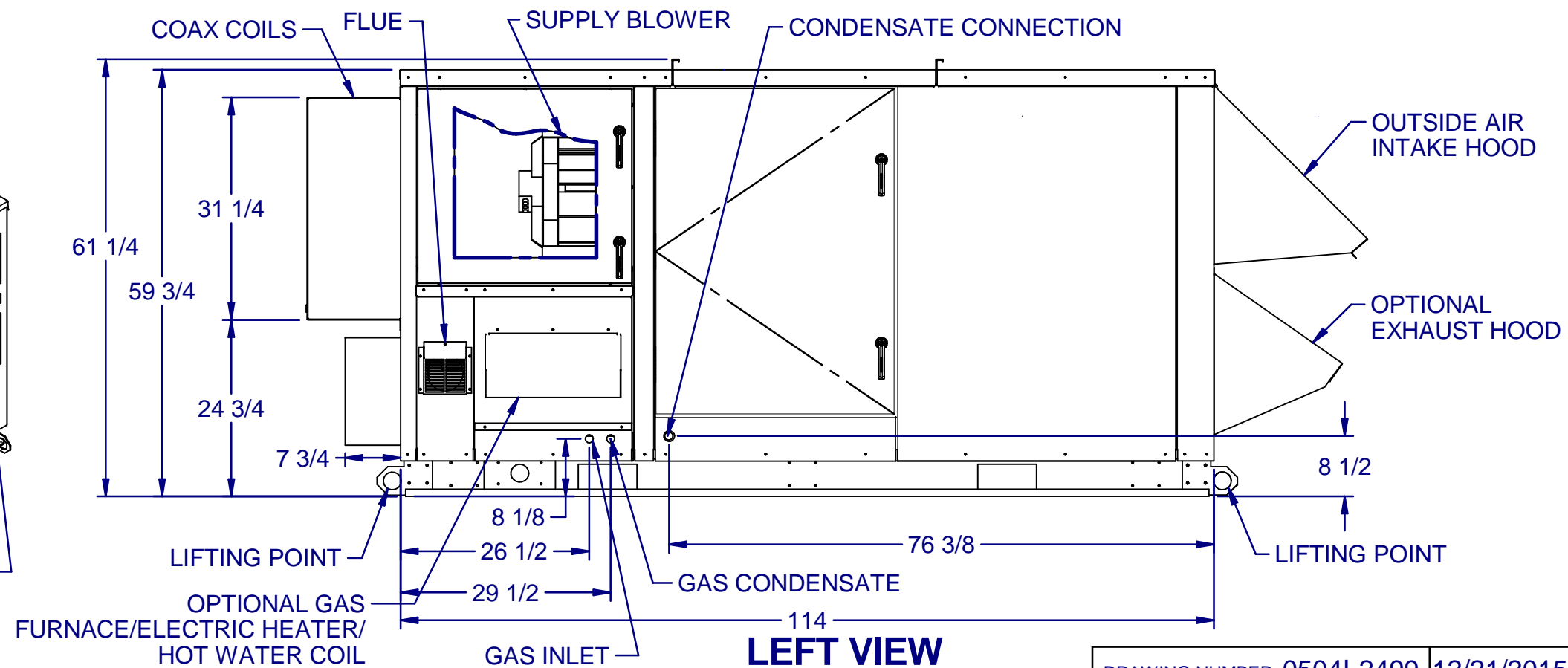


**TOP VIEW**



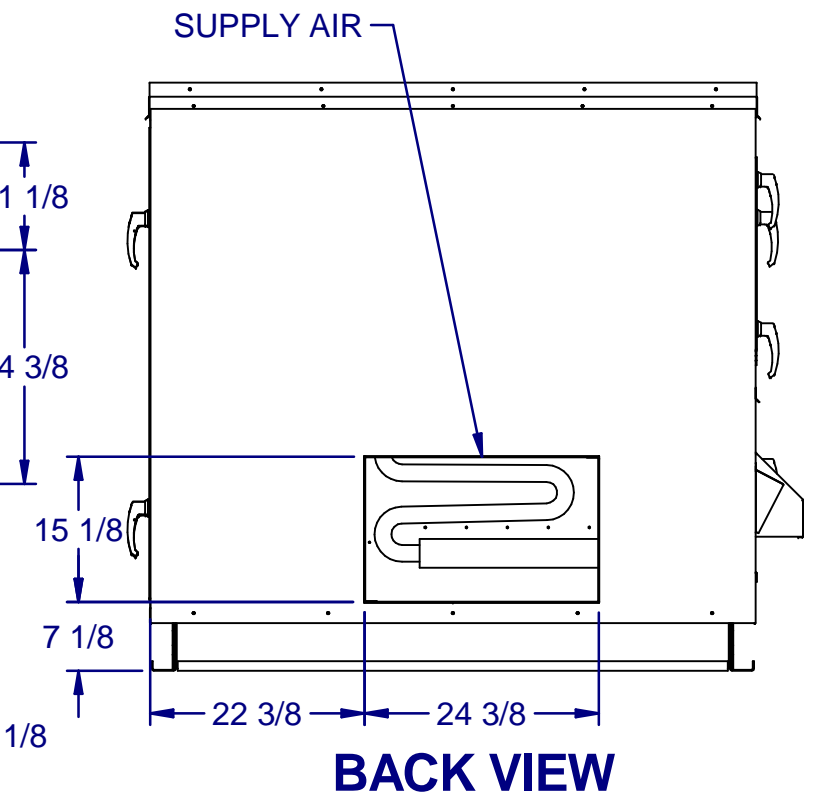
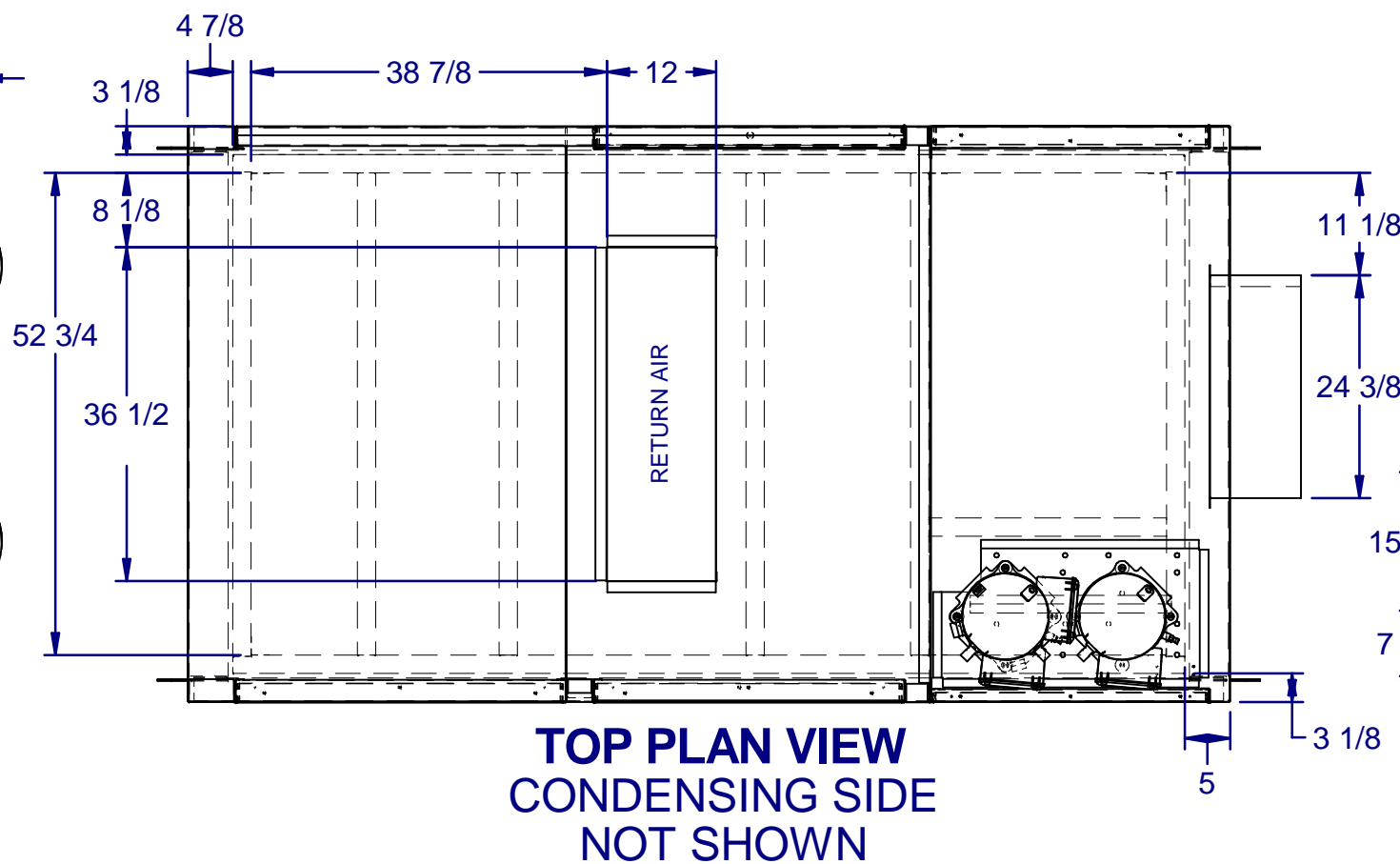
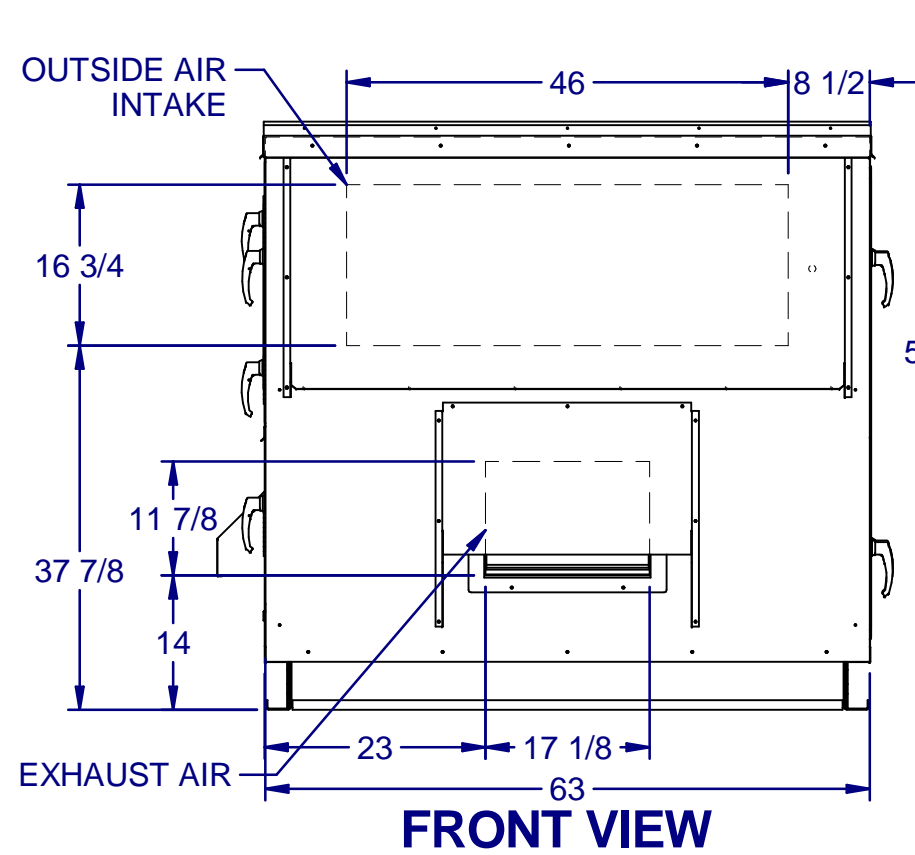
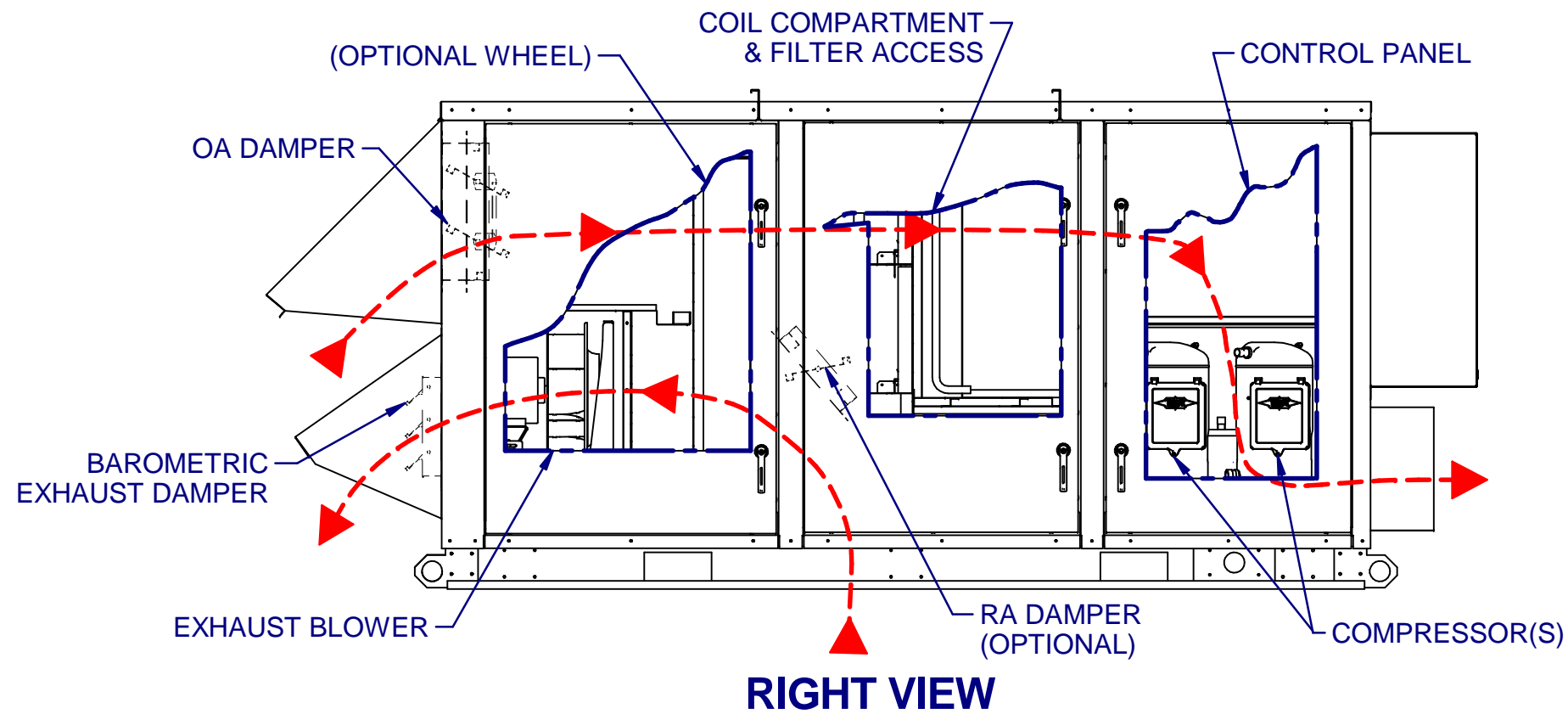
OPTIONAL DISCONNECT LOCATION



**LEFT VIEW**

COND. CONN.	GAS COND. CONN.	GAS INLET CONN.	CWC CONN.	HWC CONN.
3/4" Ø SLIP CONN.	1/2" Ø FPT	75-200 MBH - 1/2"-3/4" Ø NPT	1 3/8"-1 5/8" Ø	1 5/8" Ø

DRAWING NUMBER: 05041-2499	12/21/2015
TITLE: PR WG B CAB HOR	1 OF 2



DRAWING NUMBER: 05041-2499	12/21/2015
TITLE: PR WG B CAB HOR	2 OF 2