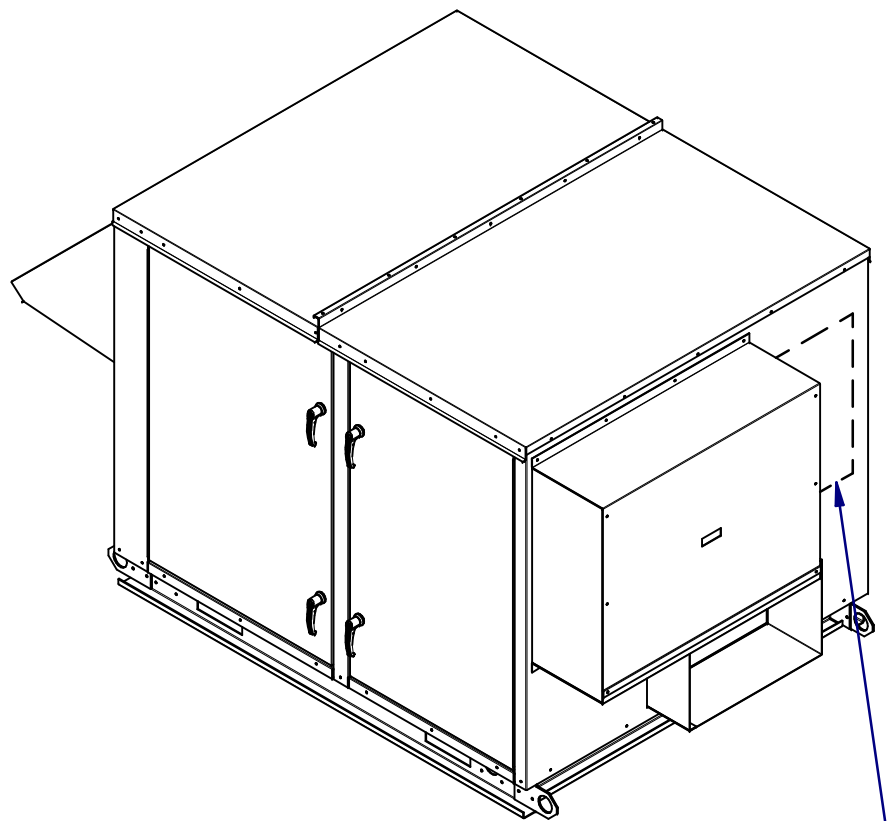
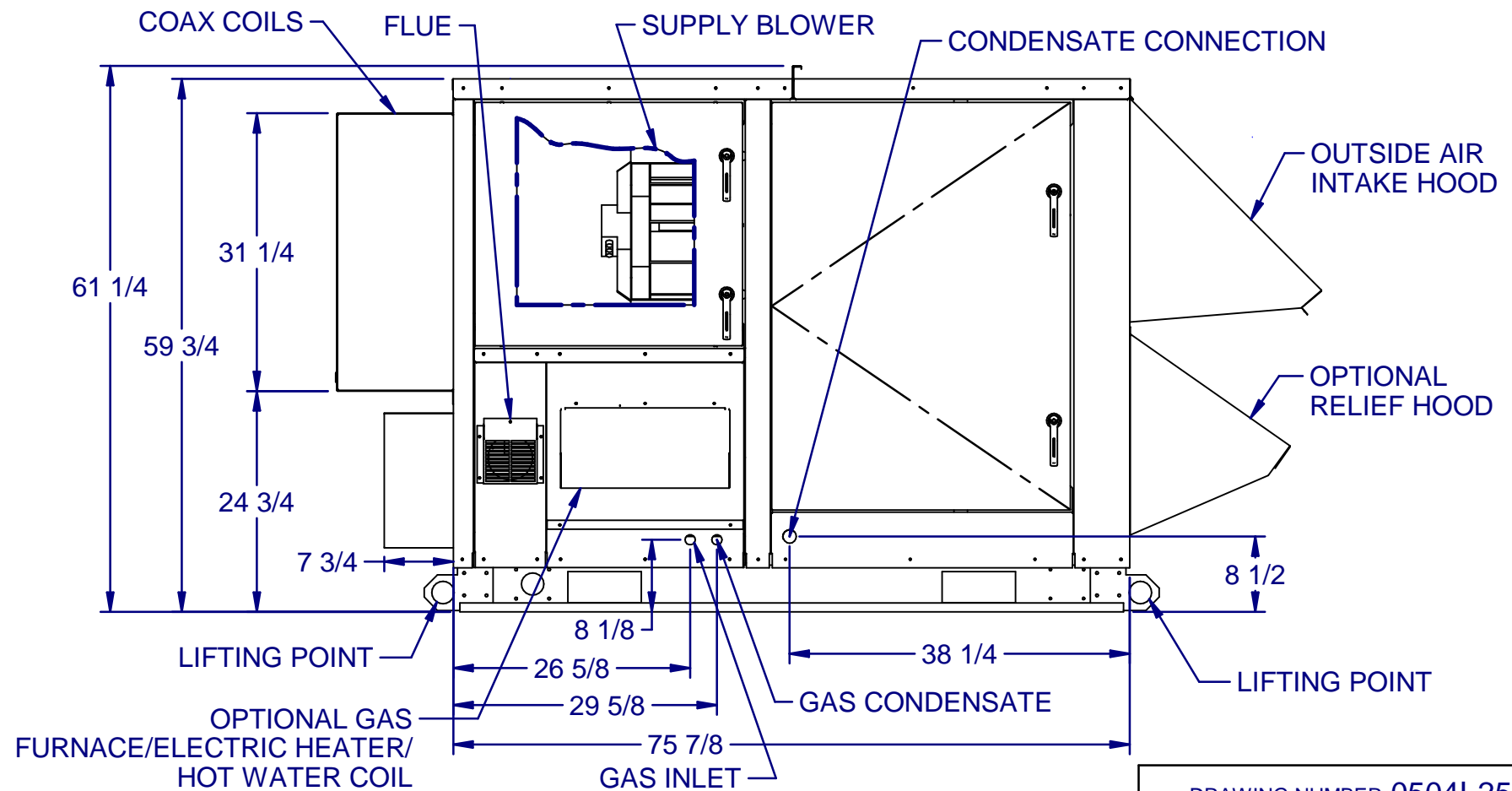


TOP VIEW



OPTIONAL DISCONNECT LOCATION



LEFT VIEW

COND. CONN.	GAS COND. CONN.	GAS INLET CONN.	CWC CONN.	HWC CONN.
$3/4'' \varnothing$ SLIP CONN.	$1/2'' \varnothing$ FPT	75-200 MBH - $1/2''$ - $3/4'' \varnothing$ NPT	$1\frac{3}{8}''$ - $1\frac{5}{8}'' \varnothing$	$1\frac{5}{8}'' \varnothing$

DRAWING NUMBER: 0504I-2500-1	12/21/2015
TITLE: PR WG B CAB NO EXH HOR	1 OF 1