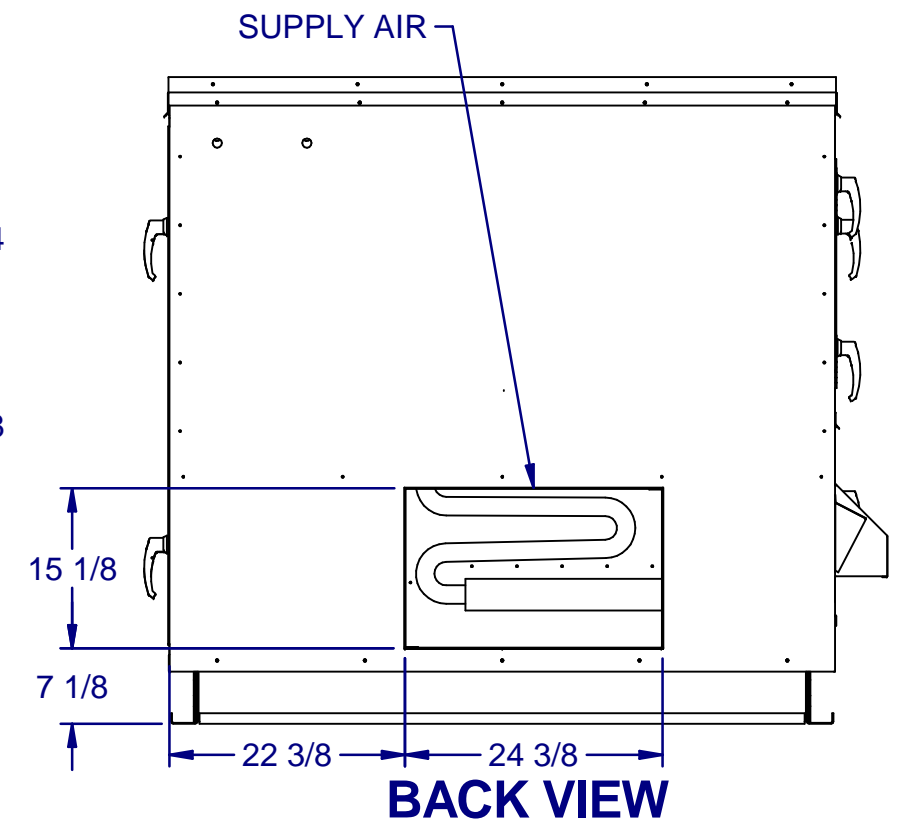
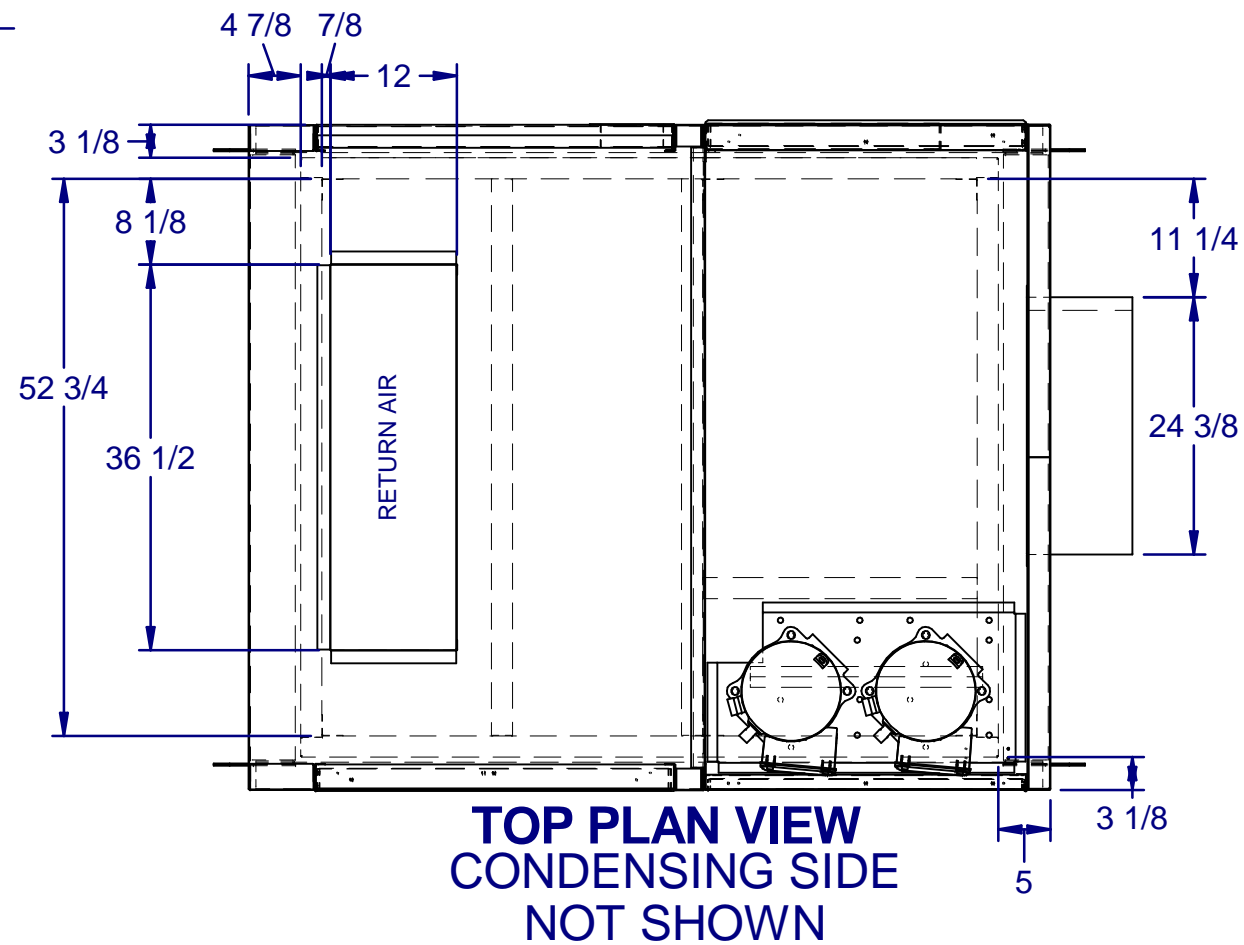
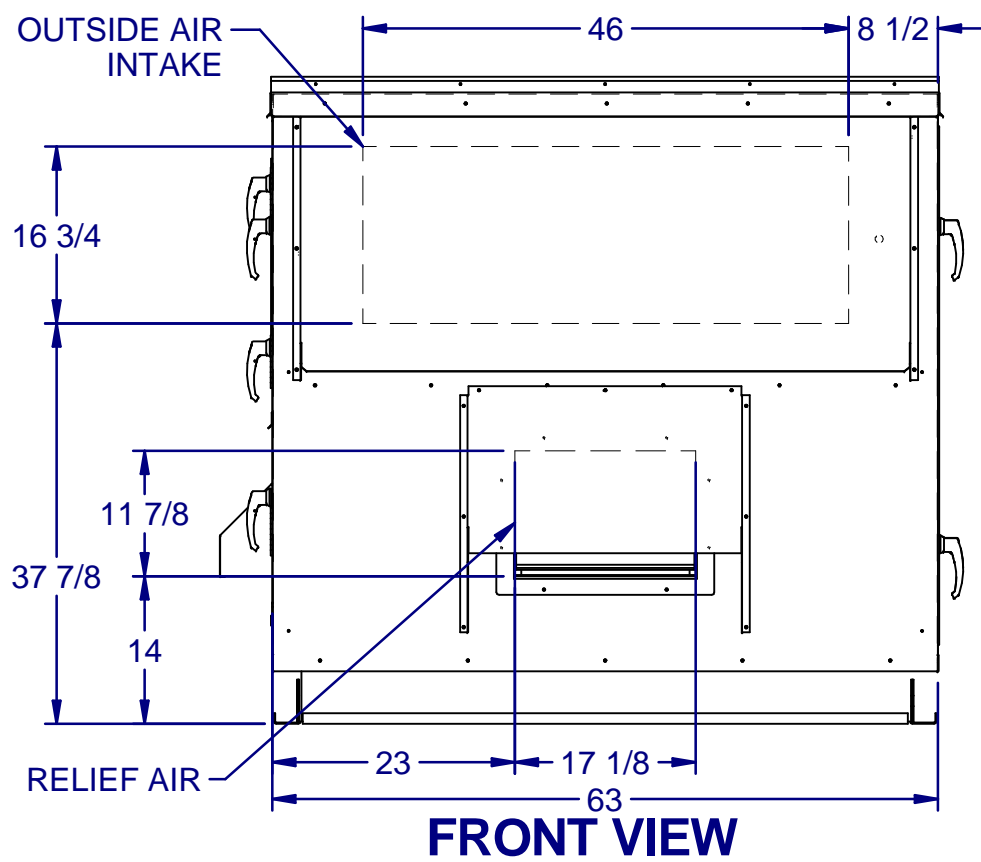
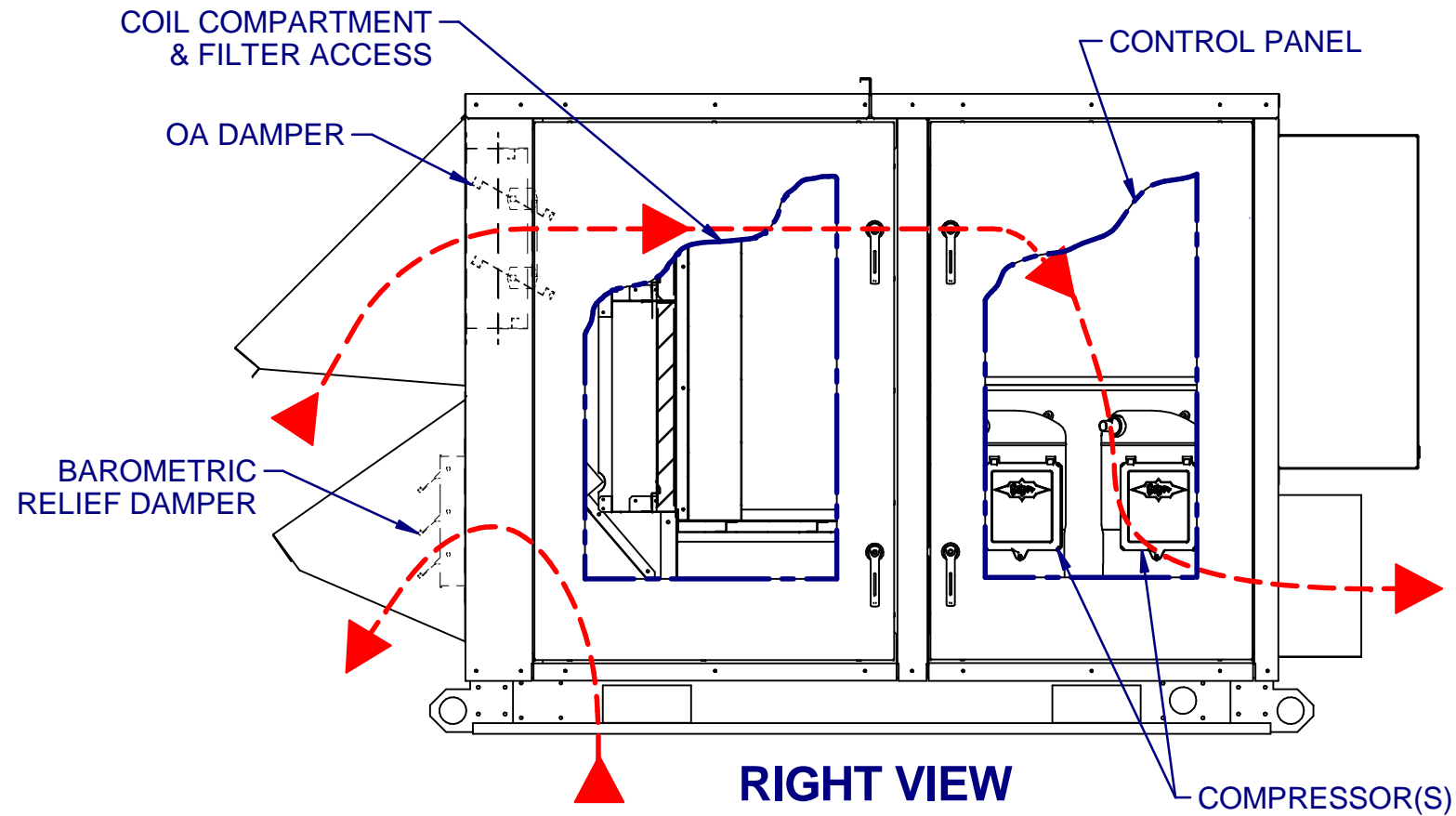


100% OUTSIDE AIR WITH BAROMETRIC RELIEF



DRAWING NUMBER: 05041-2500-2	12/21/2015
TITLE: PR WG B CAB NO EXH HOR	1 OF 1