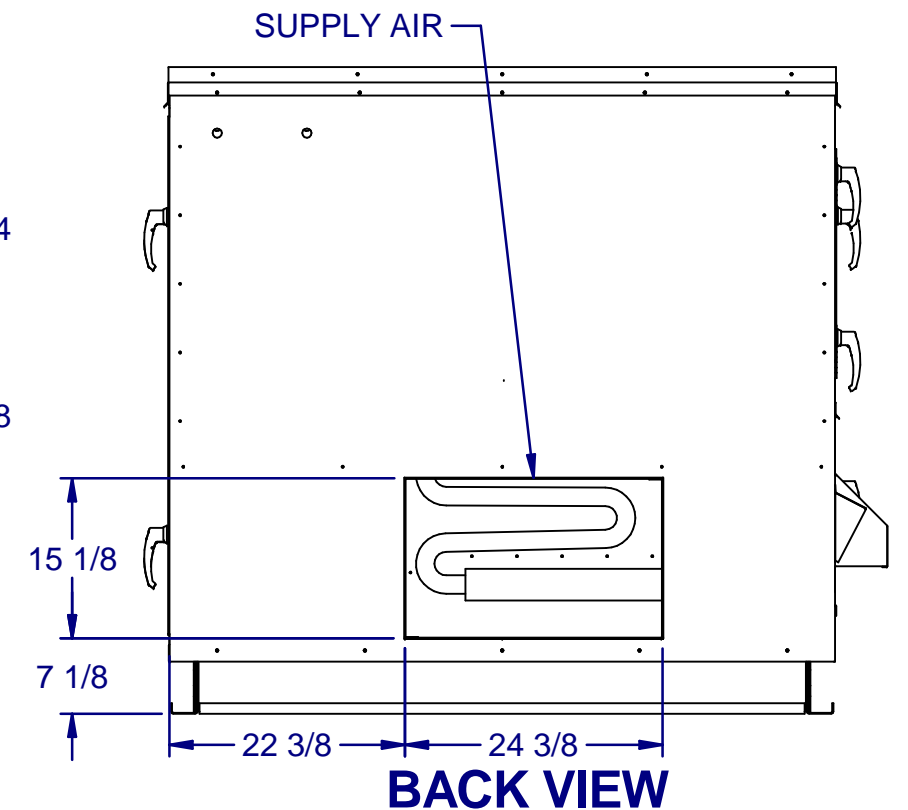
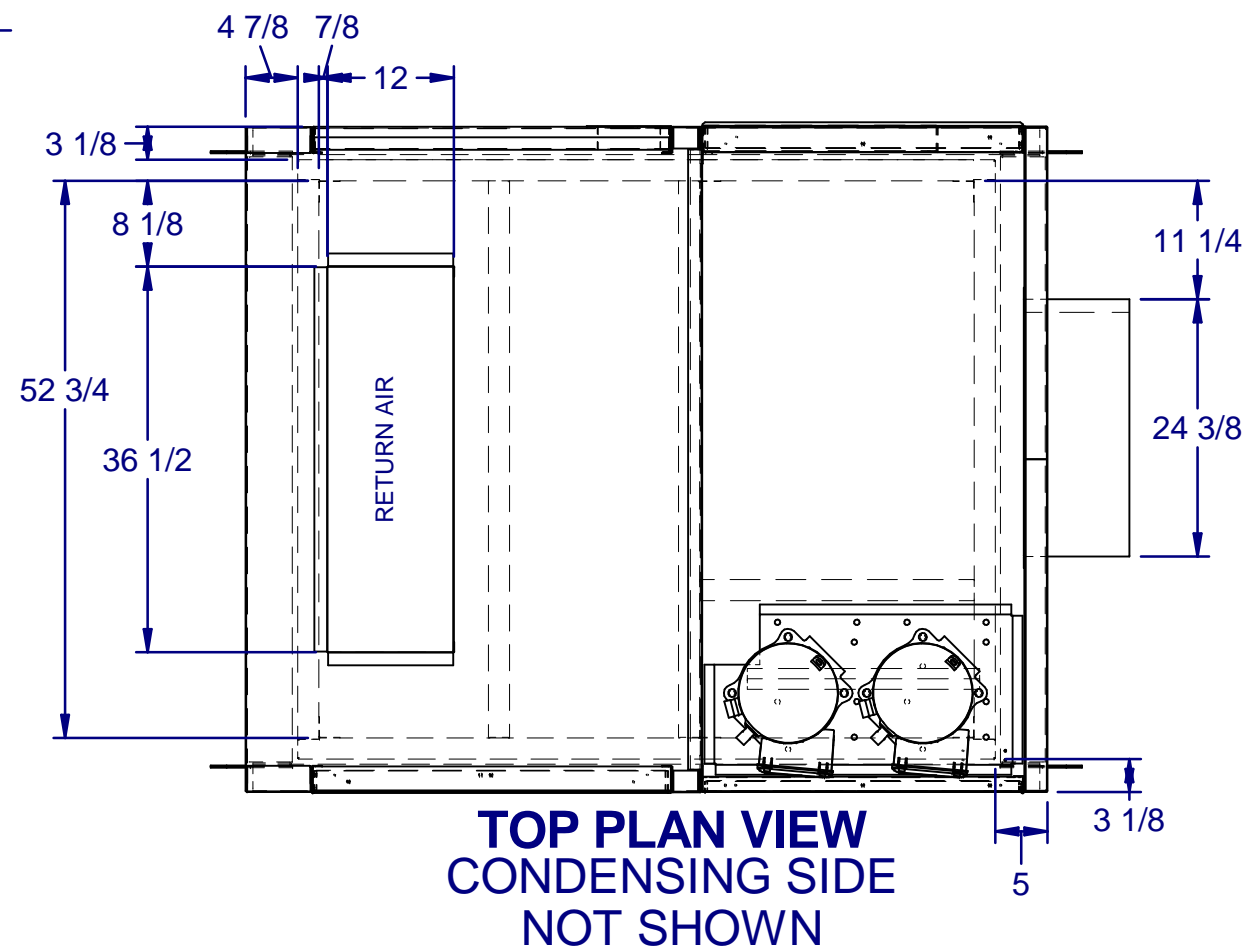
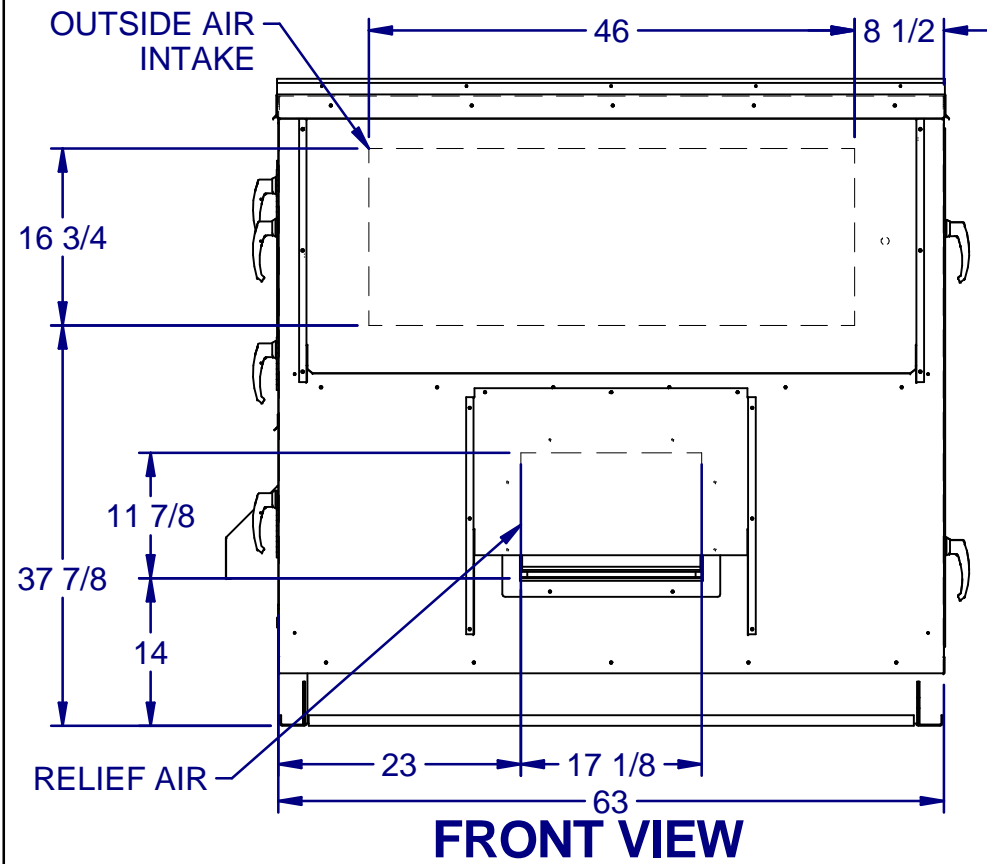
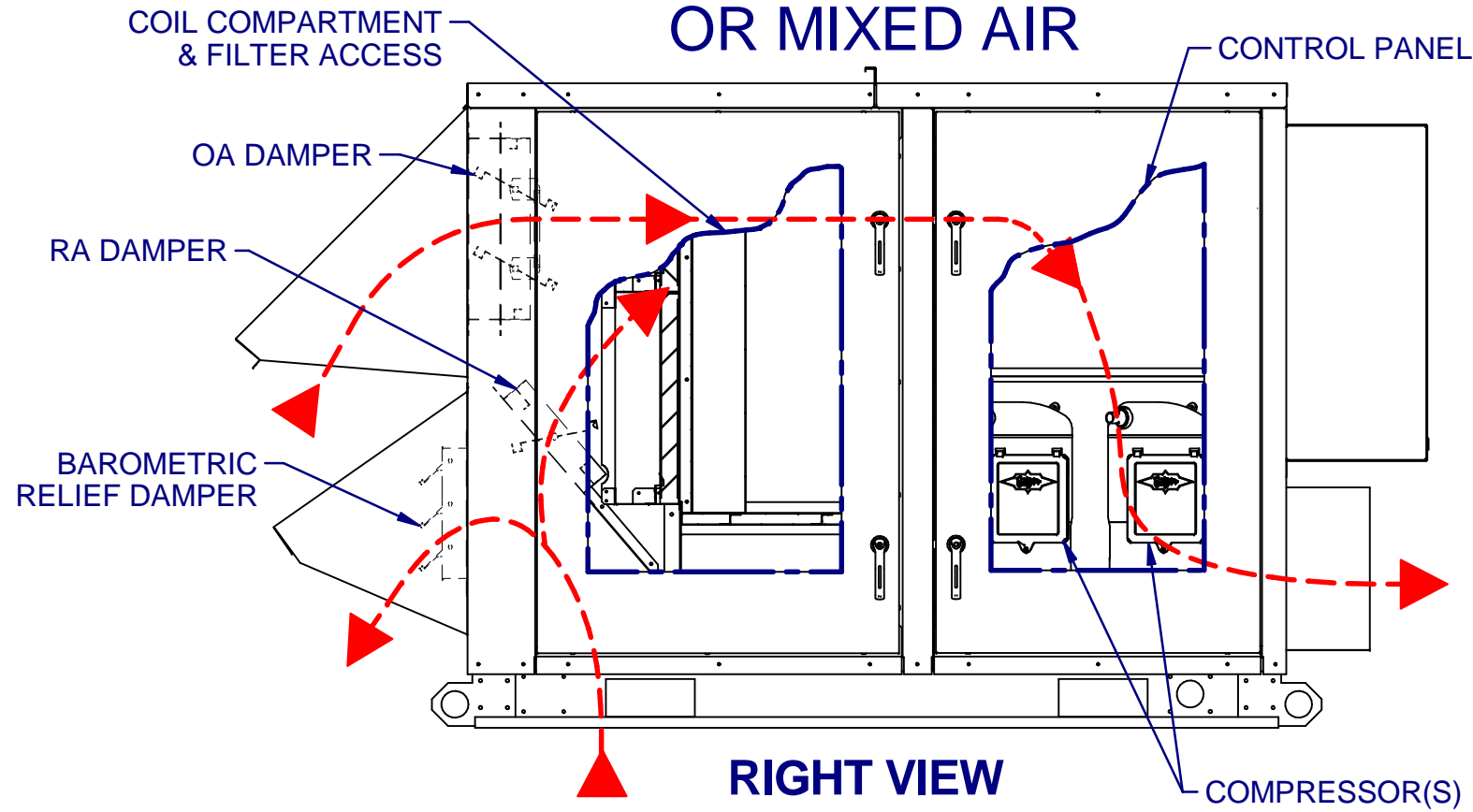


100% OUTSIDE AIR WITH RECIRCULATING OPTION OR MIXED AIR



DRAWING NUMBER: 0504I-2500-3	12/21/2015
TITLE: PR WG B CAB NO EXH HOR	1 OF 1