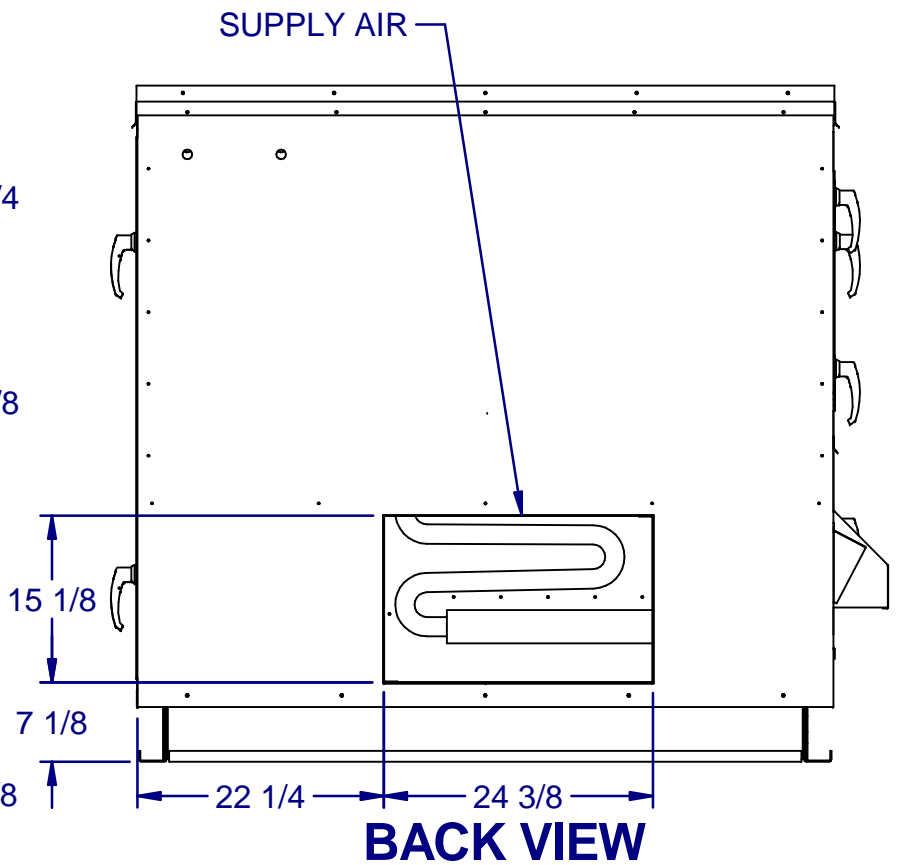
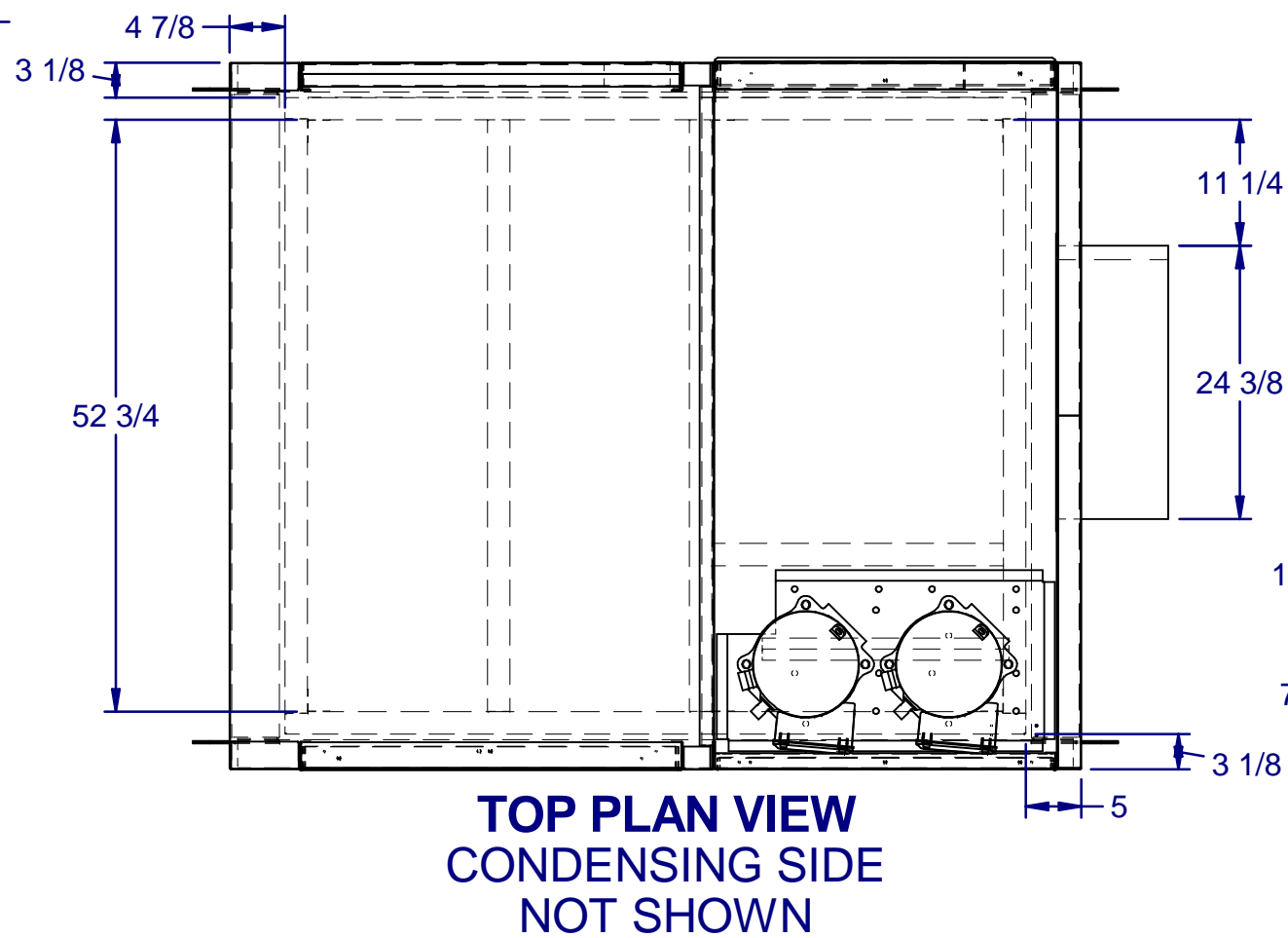
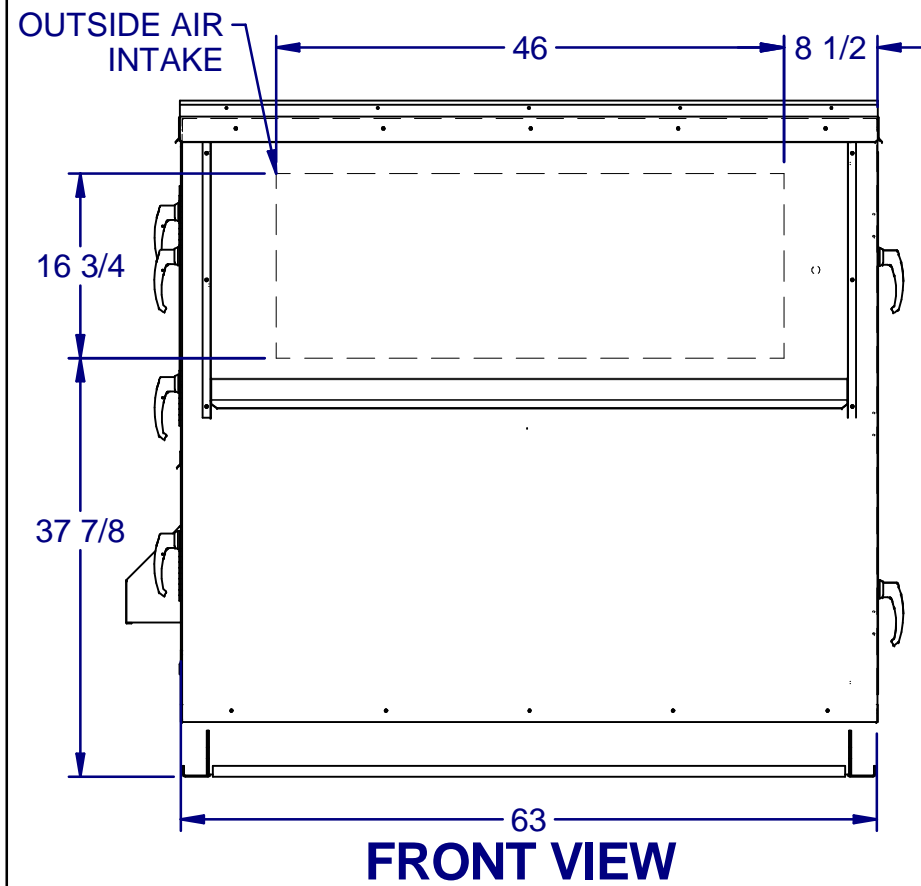
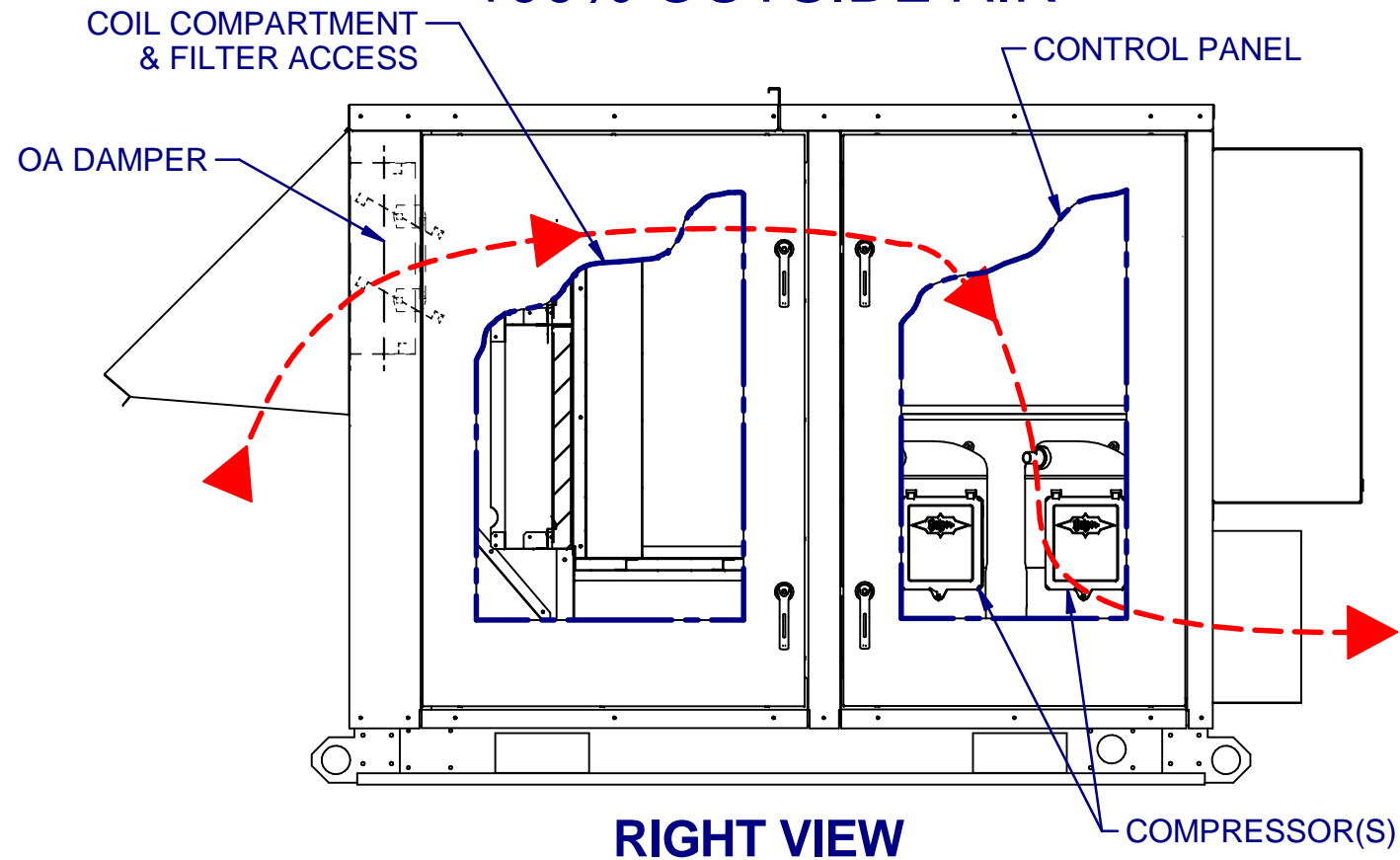


100% OUTSIDE AIR



DRAWING NUMBER: 0504I-2500-4	12/21/2015
TITLE: PR WG B CAB NO EXH HOR	1 OF 1