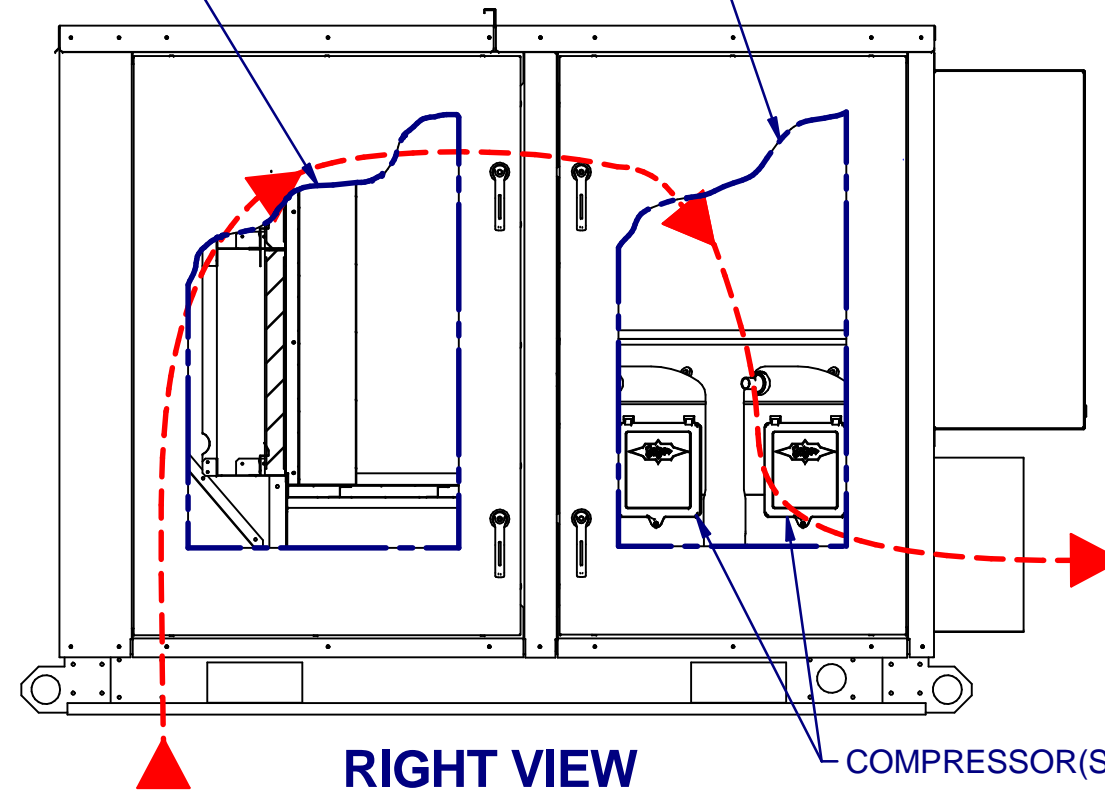


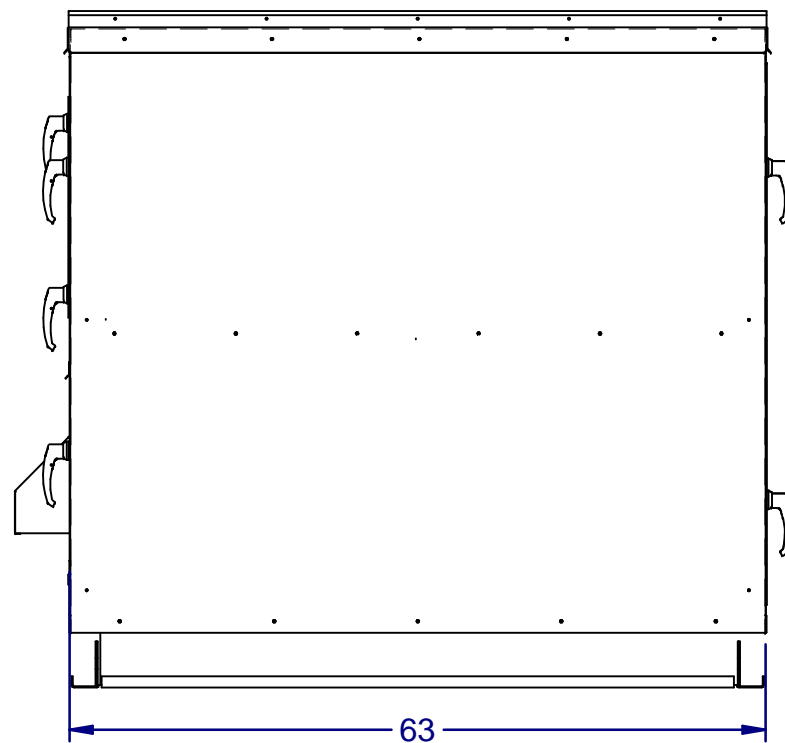
RECIRCULATING OPTION

COIL COMPARTMENT & FILTER ACCESS

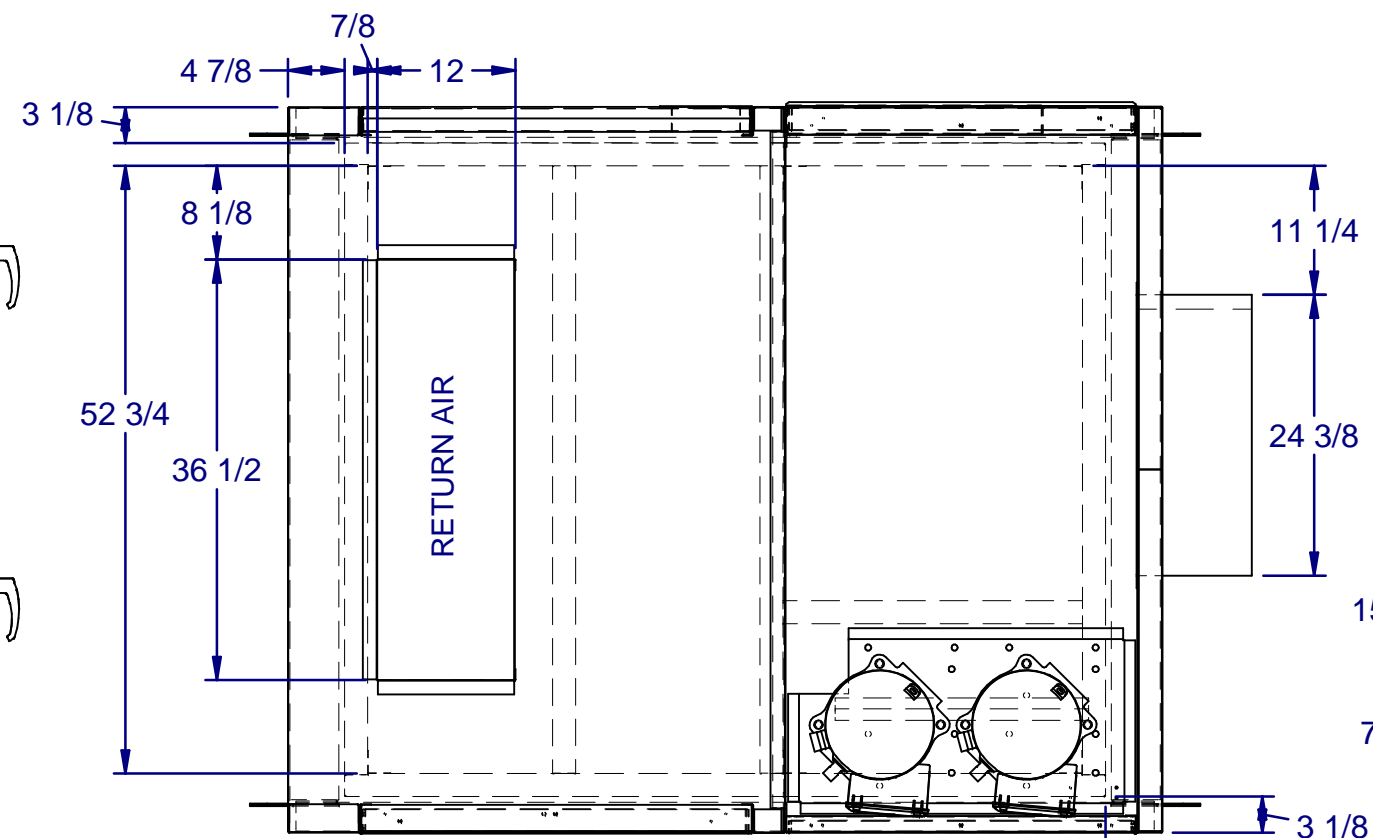
CONTROL PANEL



RIGHT VIEW

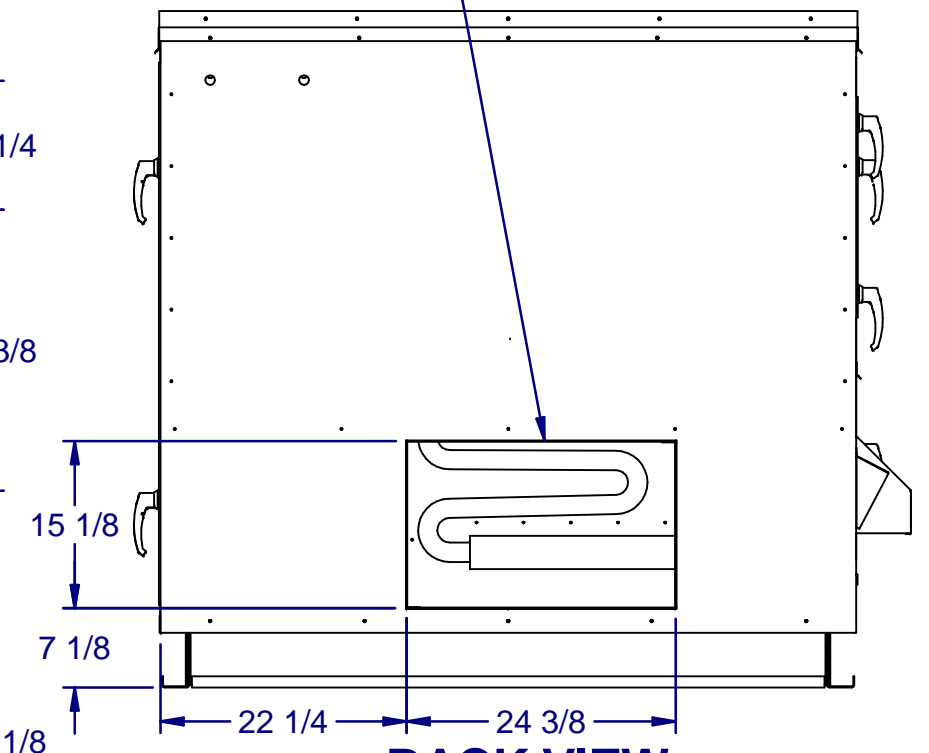


FRONT VIEW



TOP PLAN VIEW
CONDENSING SIDE
NOT SHOWN

SUPPLY AIR



BACK VIEW

DRAWING NUMBER: 05041-2500-5

10/12/2016

TITLE: PR WG B CAB NO EXH HOR

1 OF 1