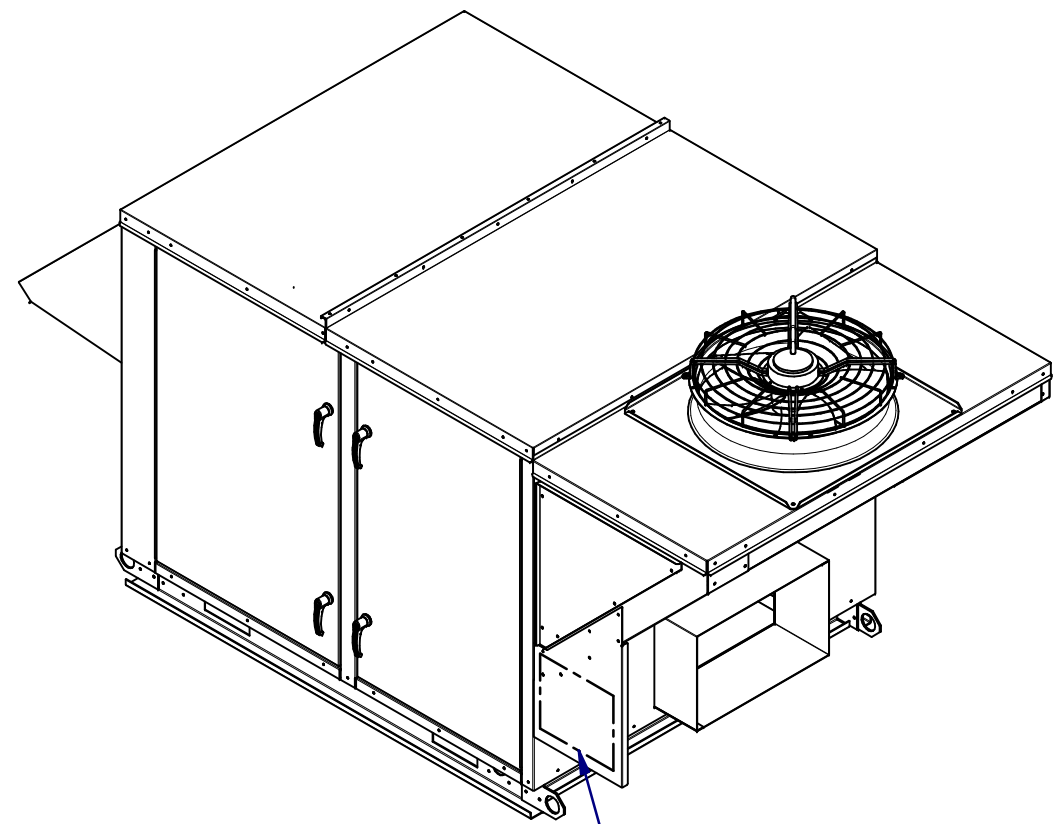
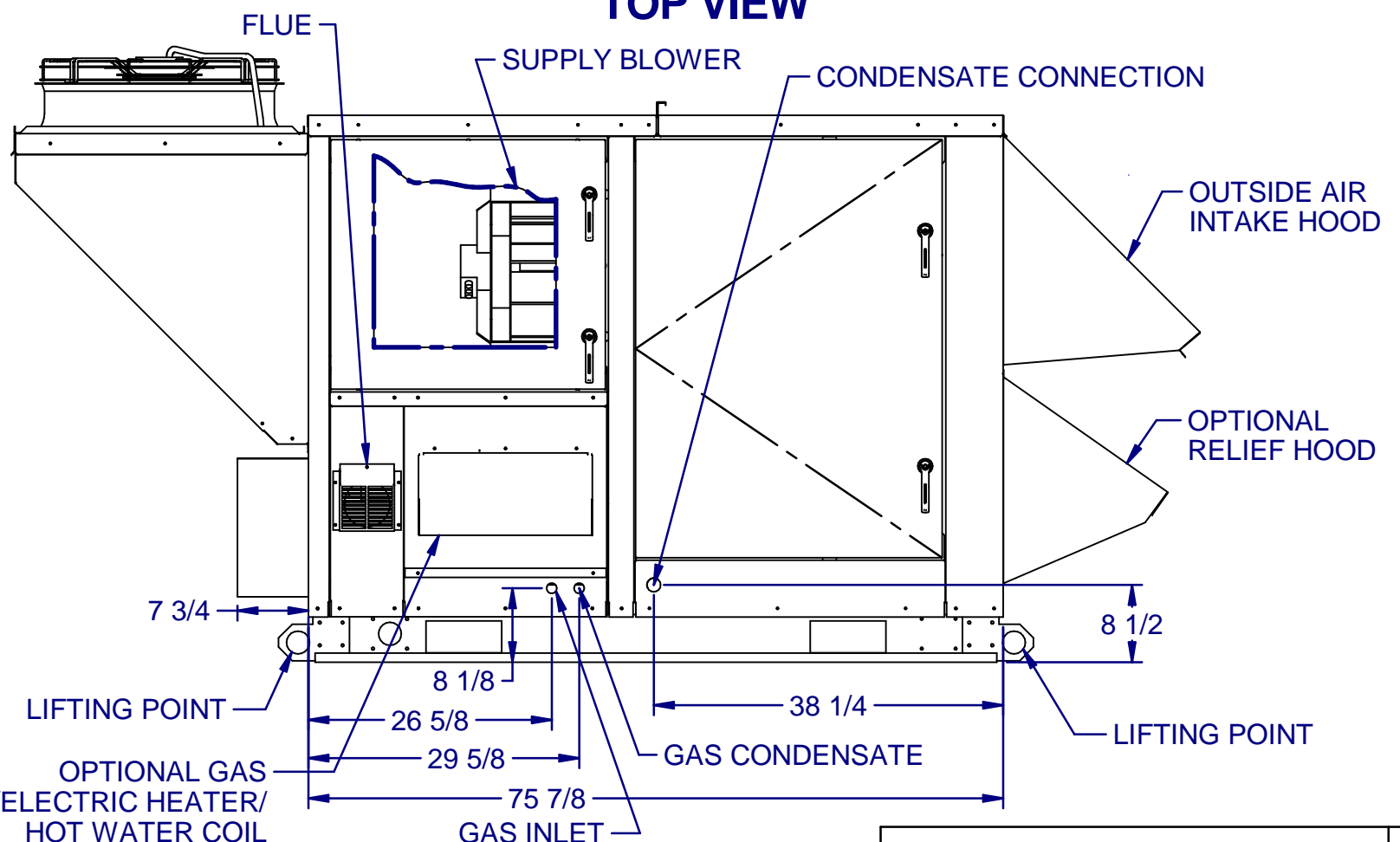


TOP VIEW



OPTIONAL DISCONNECT LOCATION



LEFT VIEW

COND. CONN.	GAS COND. CONN.	GAS INLET CONN.	CWC CONN.	HWC CONN.
3/4" Ø SLIP CONN.	1/2" Ø FPT	75-200 MBH - 1/2"-3/4" Ø NPT	1 3/8"-1 5/8" Ø	1 5/8" Ø

DRAWING NUMBER: 0504I-2502-1	12/21/2015
TITLE: PR B1 CAB NO EXH HOR	1 OF 1