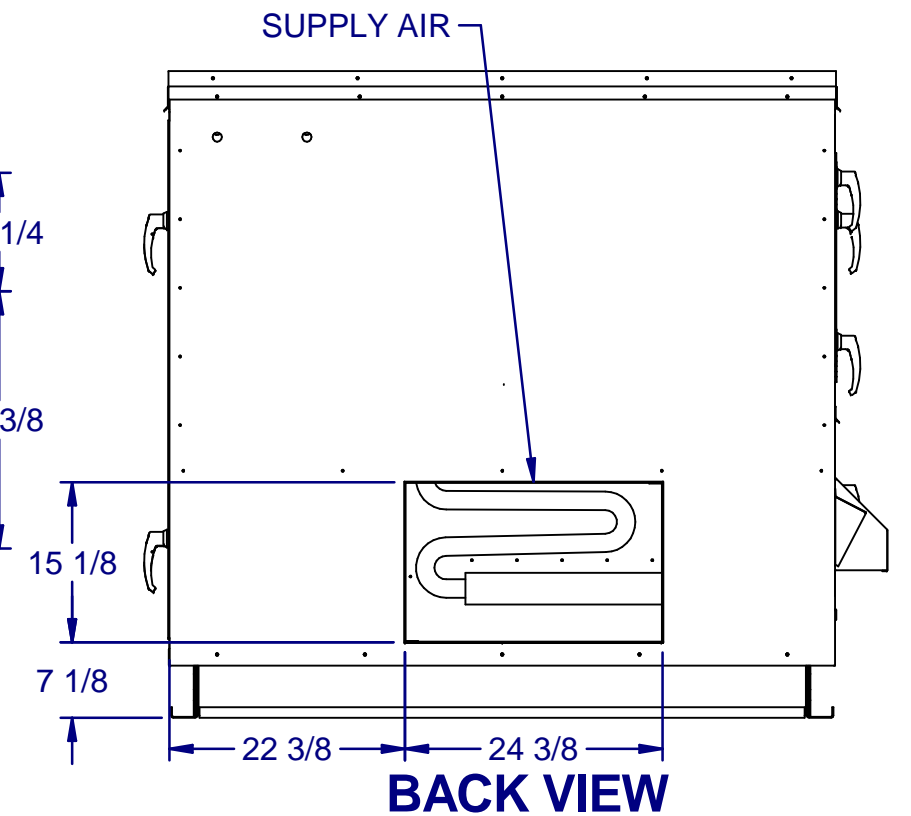
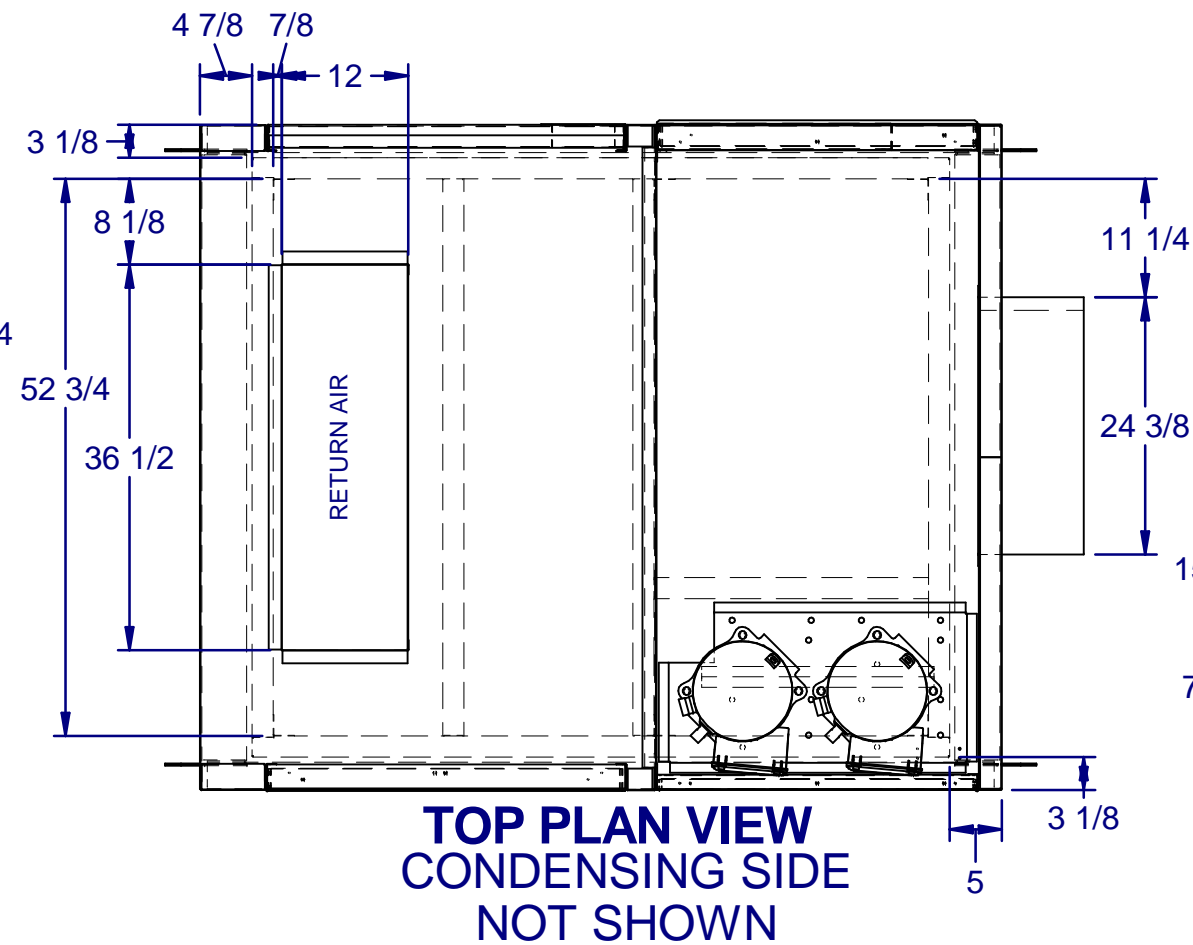
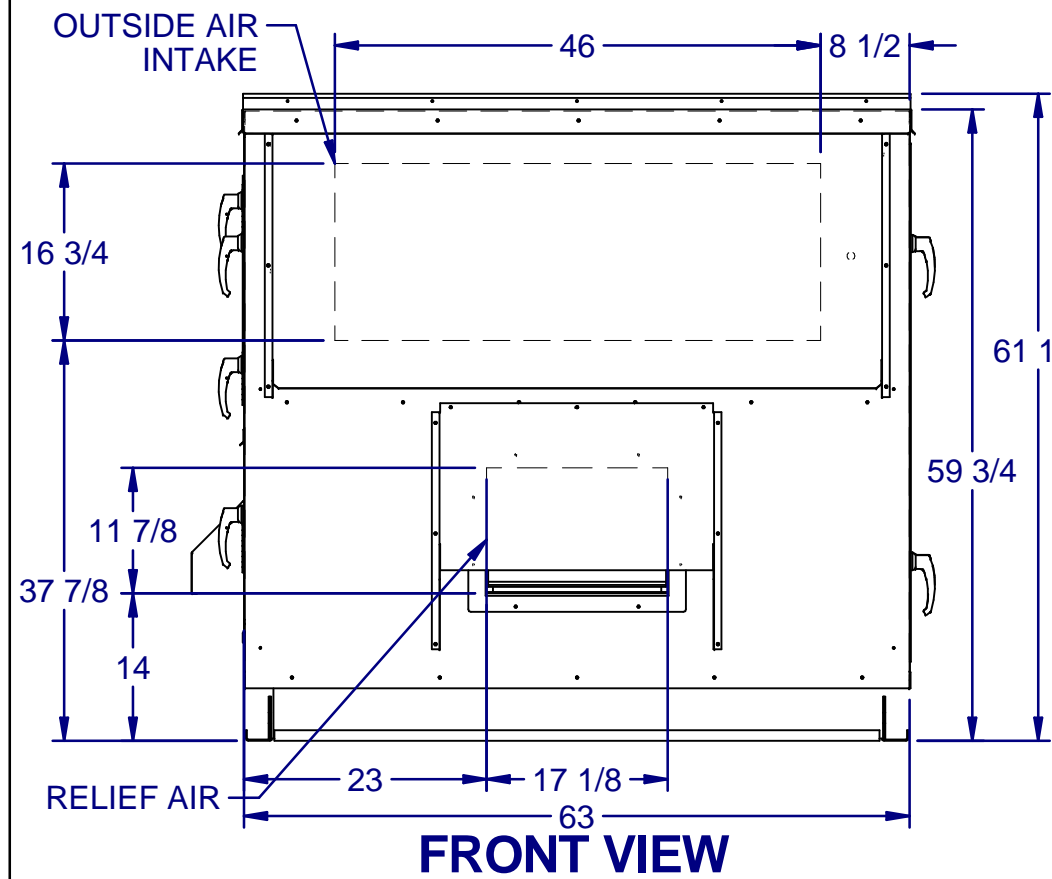
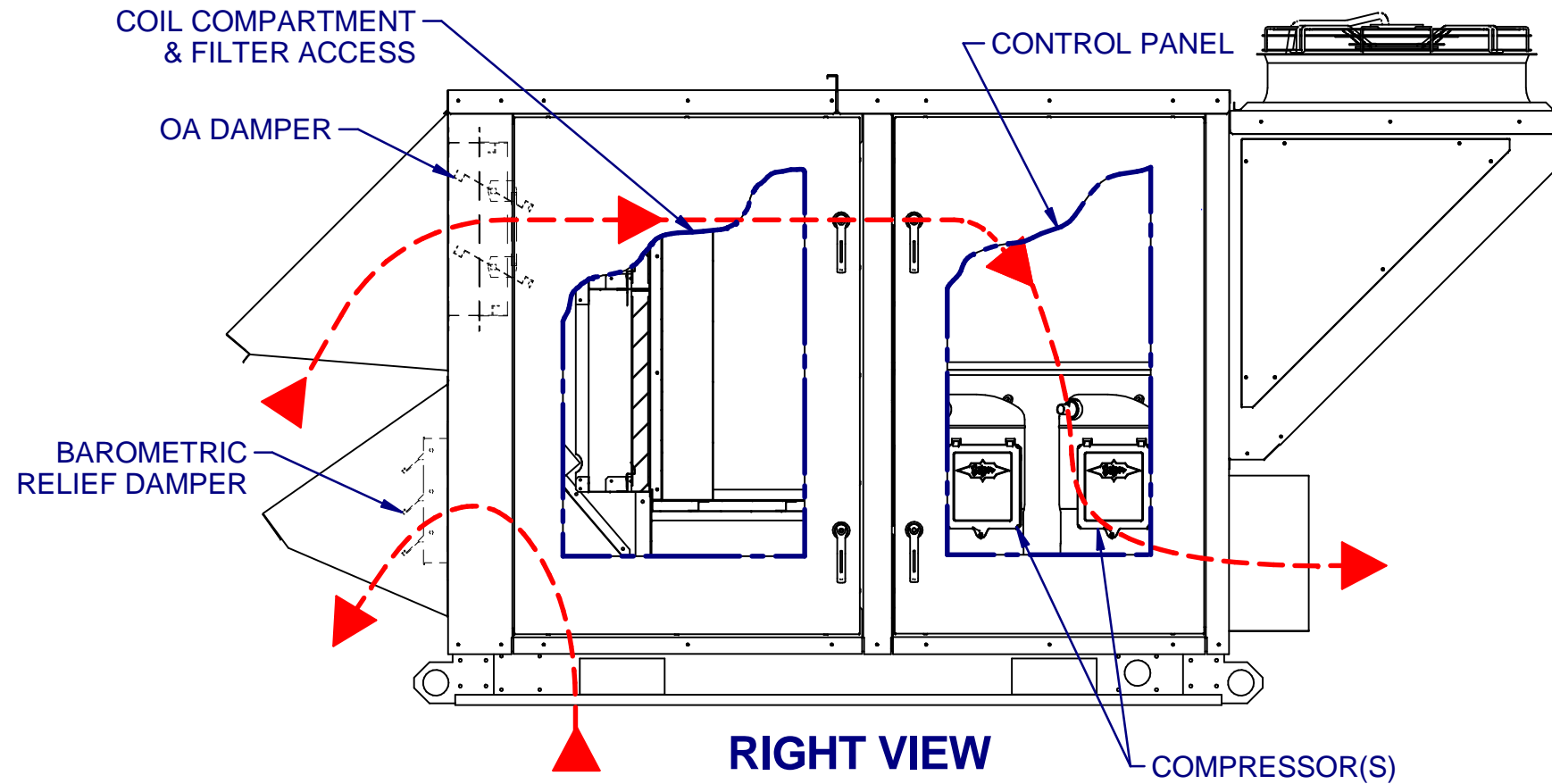


100% OUTSIDE AIR WITH BAROMETRIC RELIEF



DRAWING NUMBER: 05041-2502-2	12/21/2015
TITLE: PR B1 CAB NO EXH HOR	1 OF 1