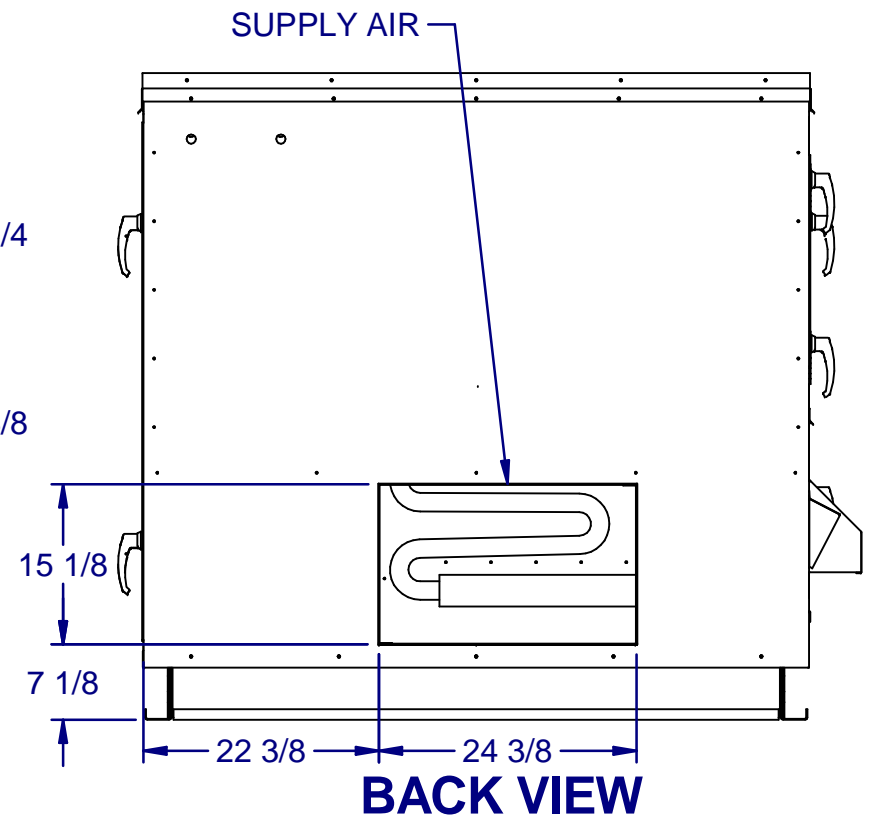
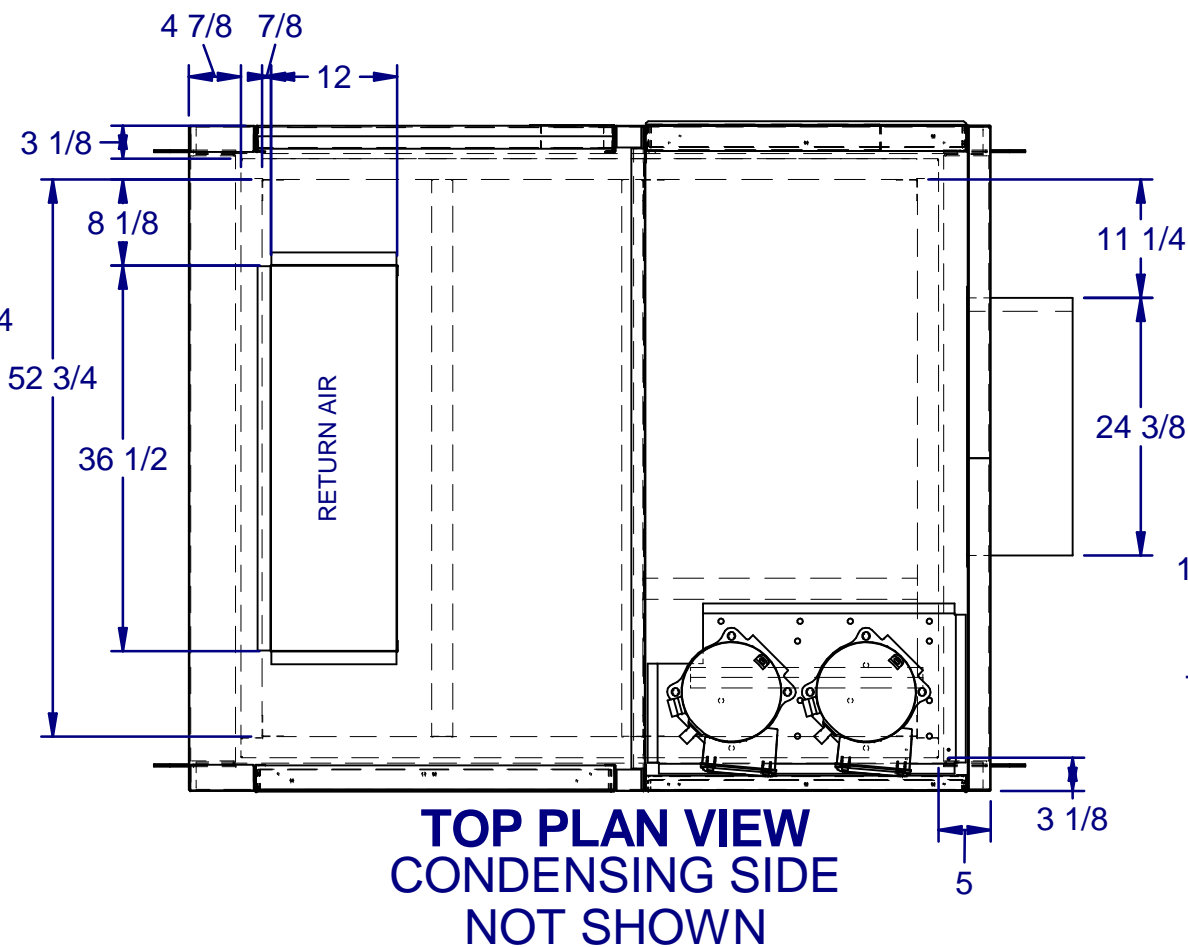
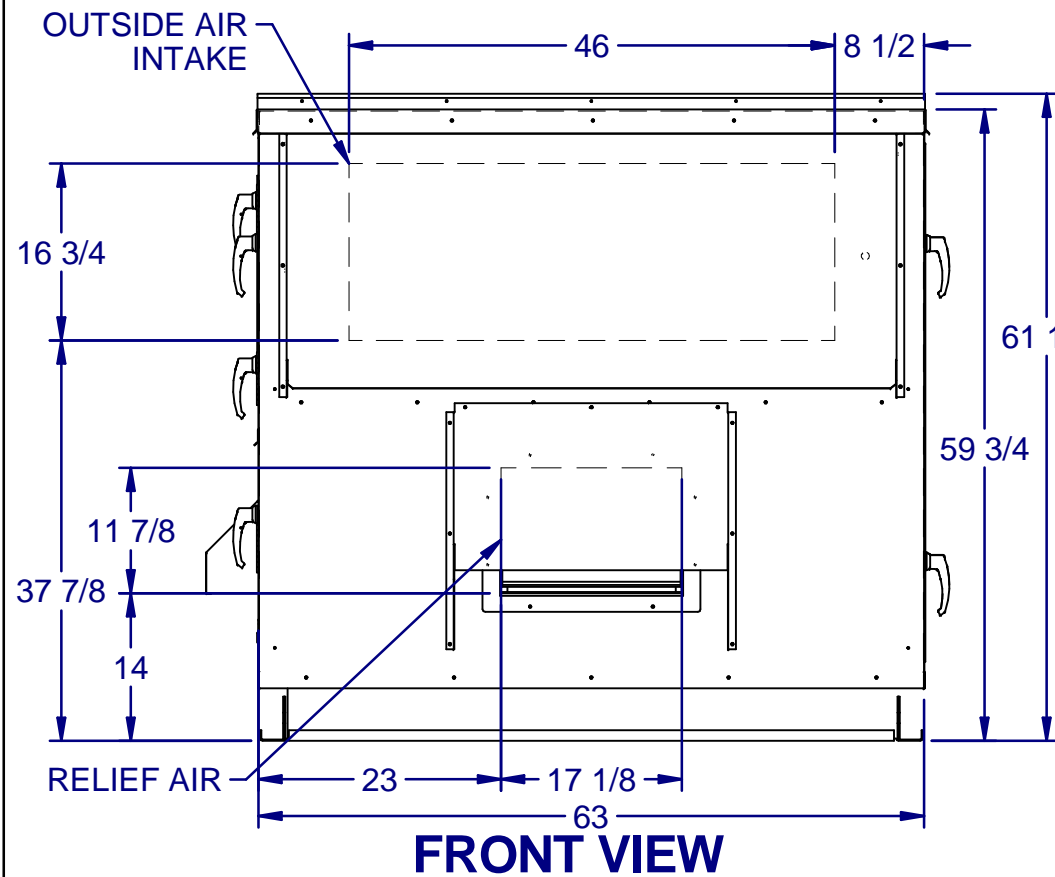
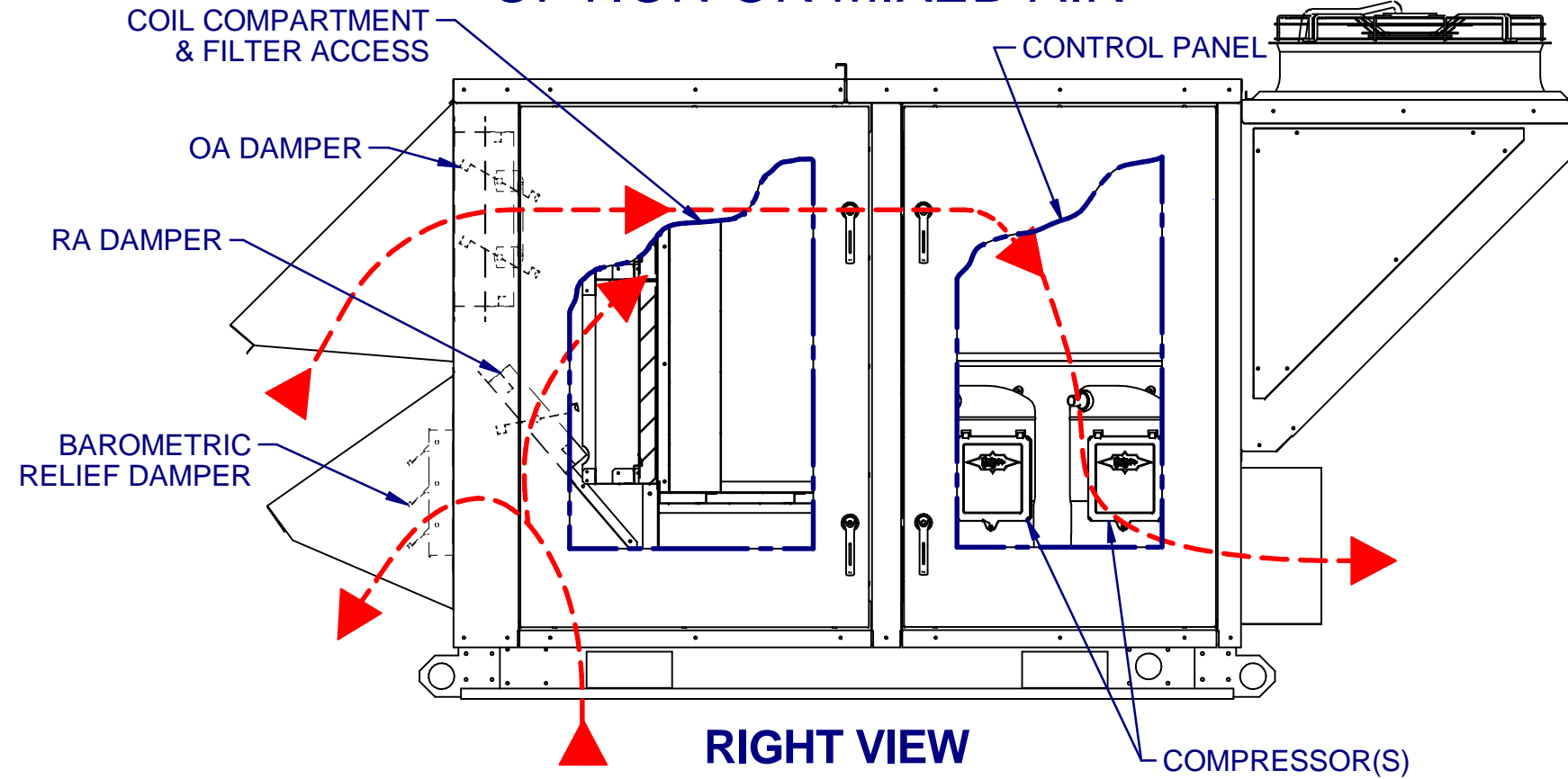


100% OUTSIDE AIR WITH RECIRCULATING OPTION OR MIXED AIR



DRAWING NUMBER: 0504I-2502-3	12/21/2015
TITLE: PR B1 CAB NO EXH HOR	1 OF 1