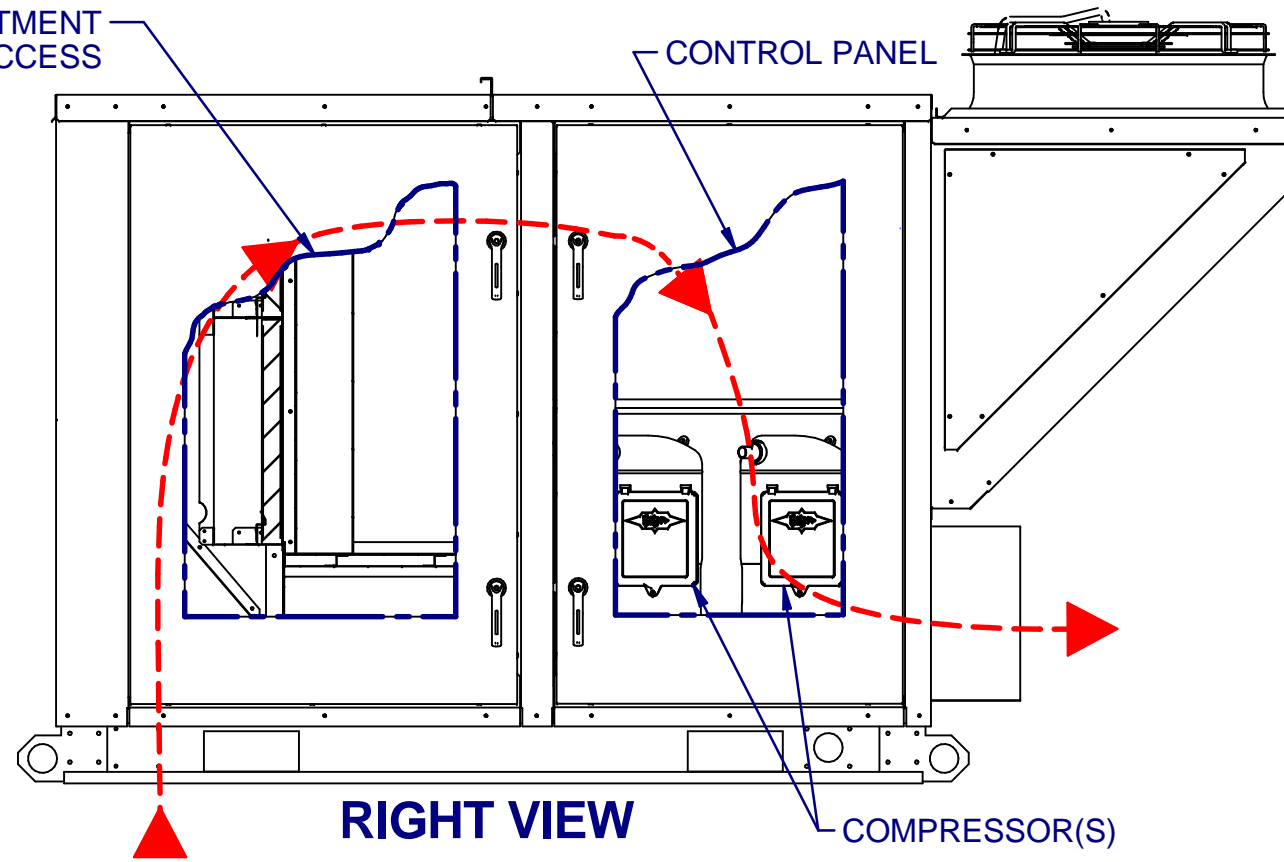


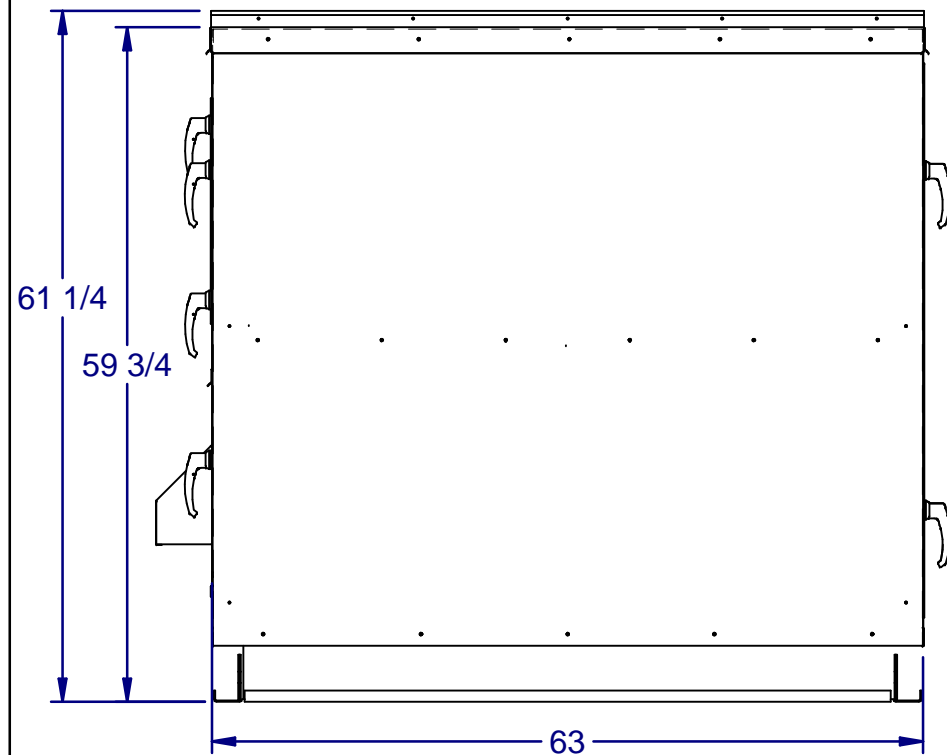
RECIRCULATING OPTION

COIL COMPARTMENT & FILTER ACCESS

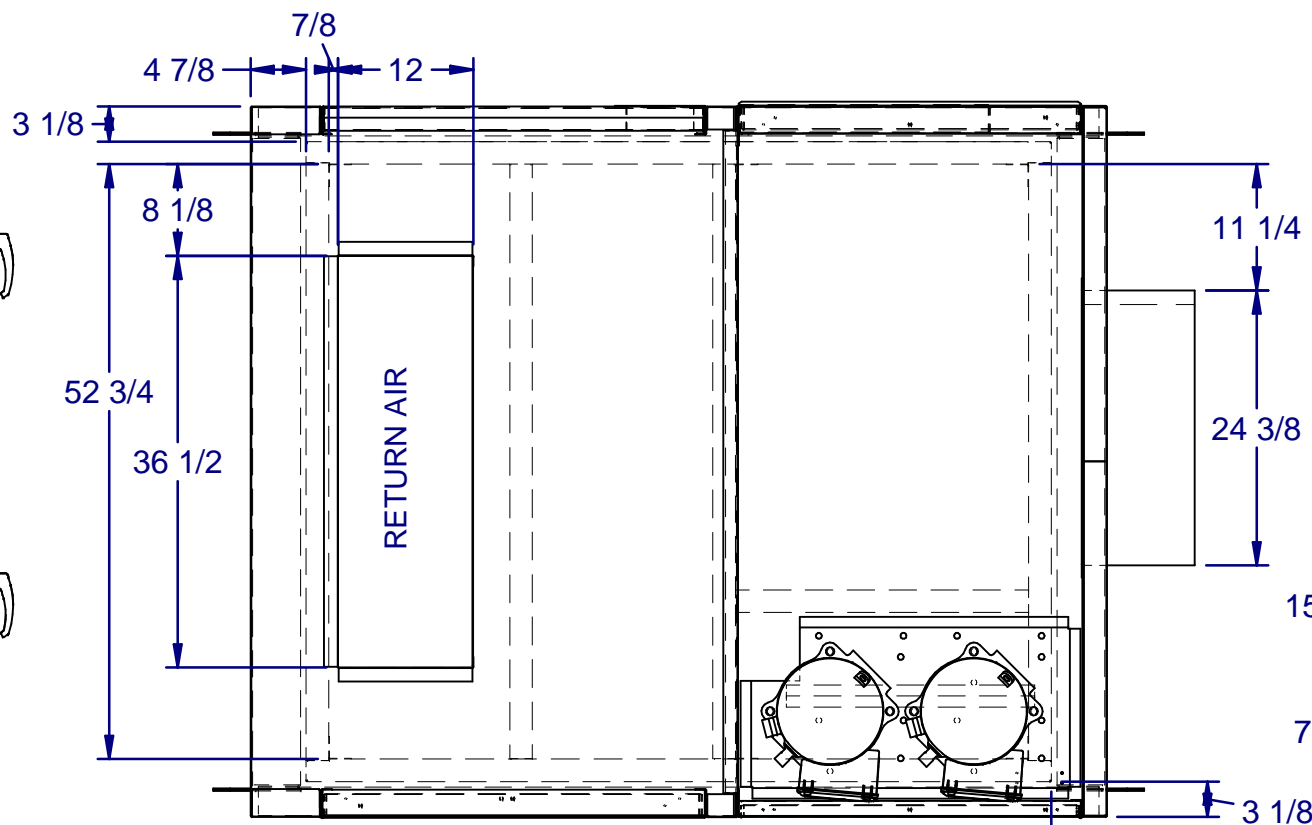
CONTROL PANEL



RIGHT VIEW

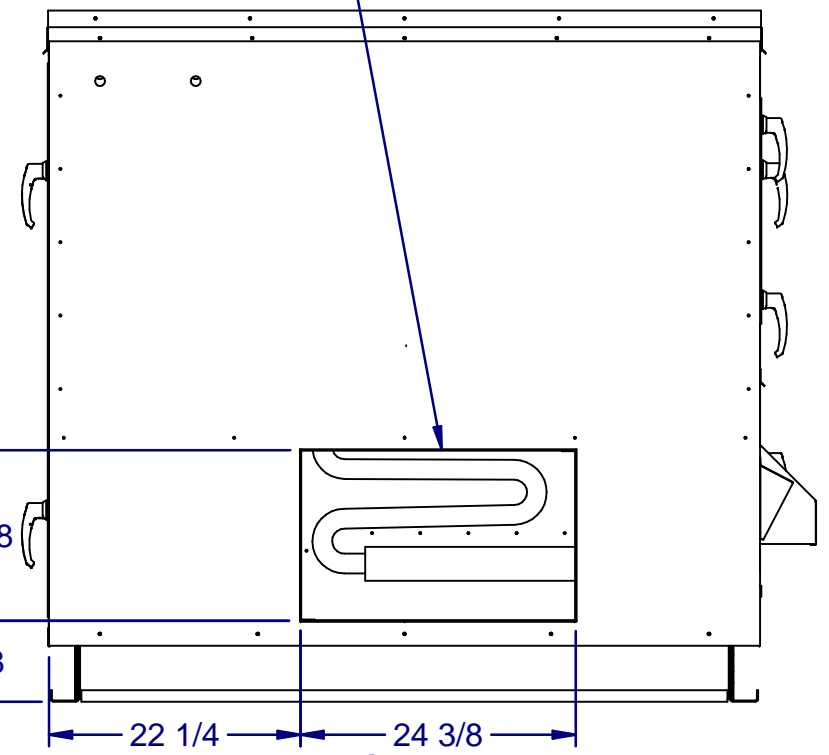


FRONT VIEW



**TOP PLAN VIEW
CONDENSING SIDE
NOT SHOWN**

SUPPLY AIR



BACK VIEW

DRAWING NUMBER: 05041-2502-5

10/12/2016

TITLE: PR B1 CAB NO EXH HOR

1 OF 1