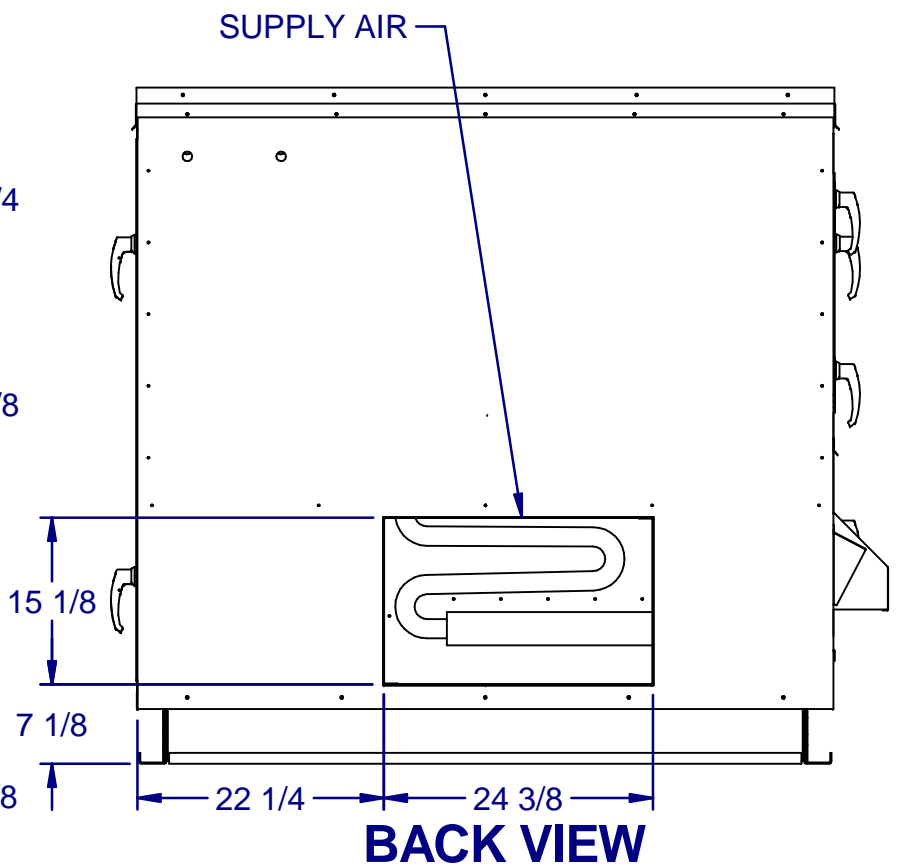
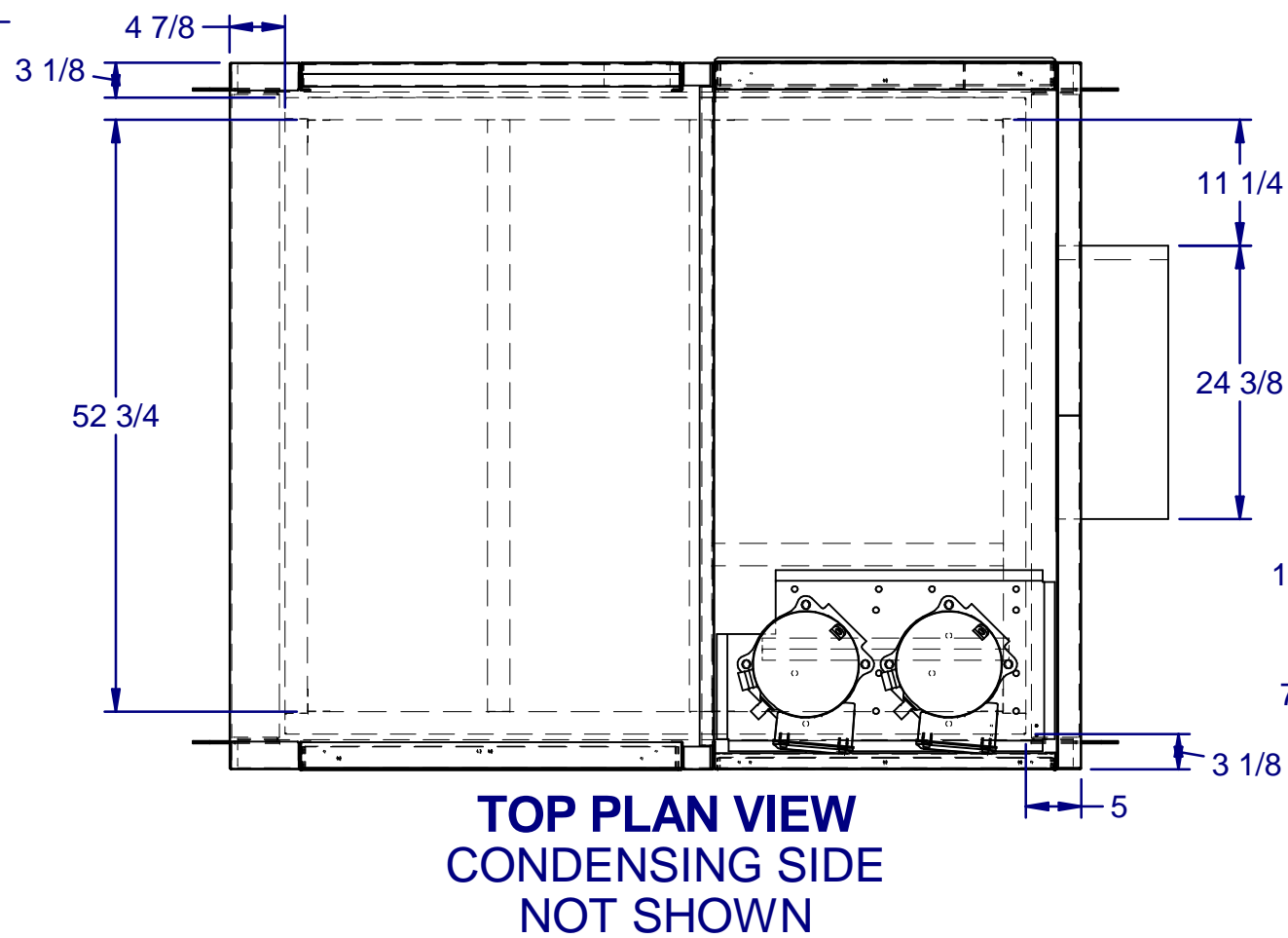
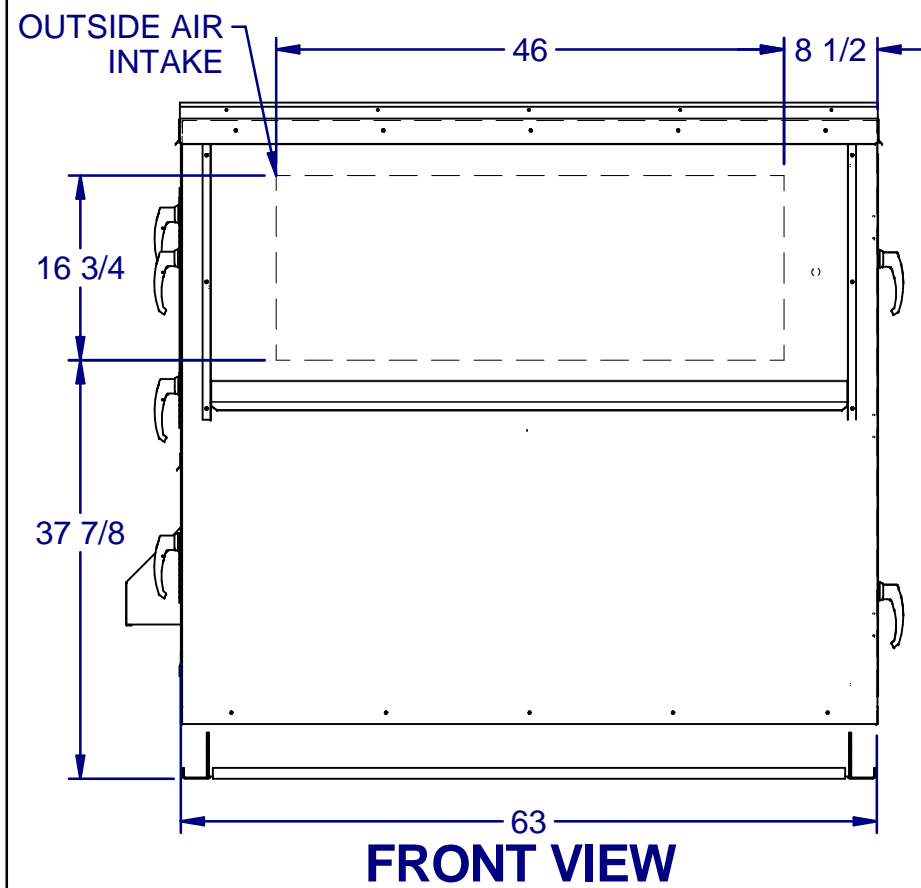
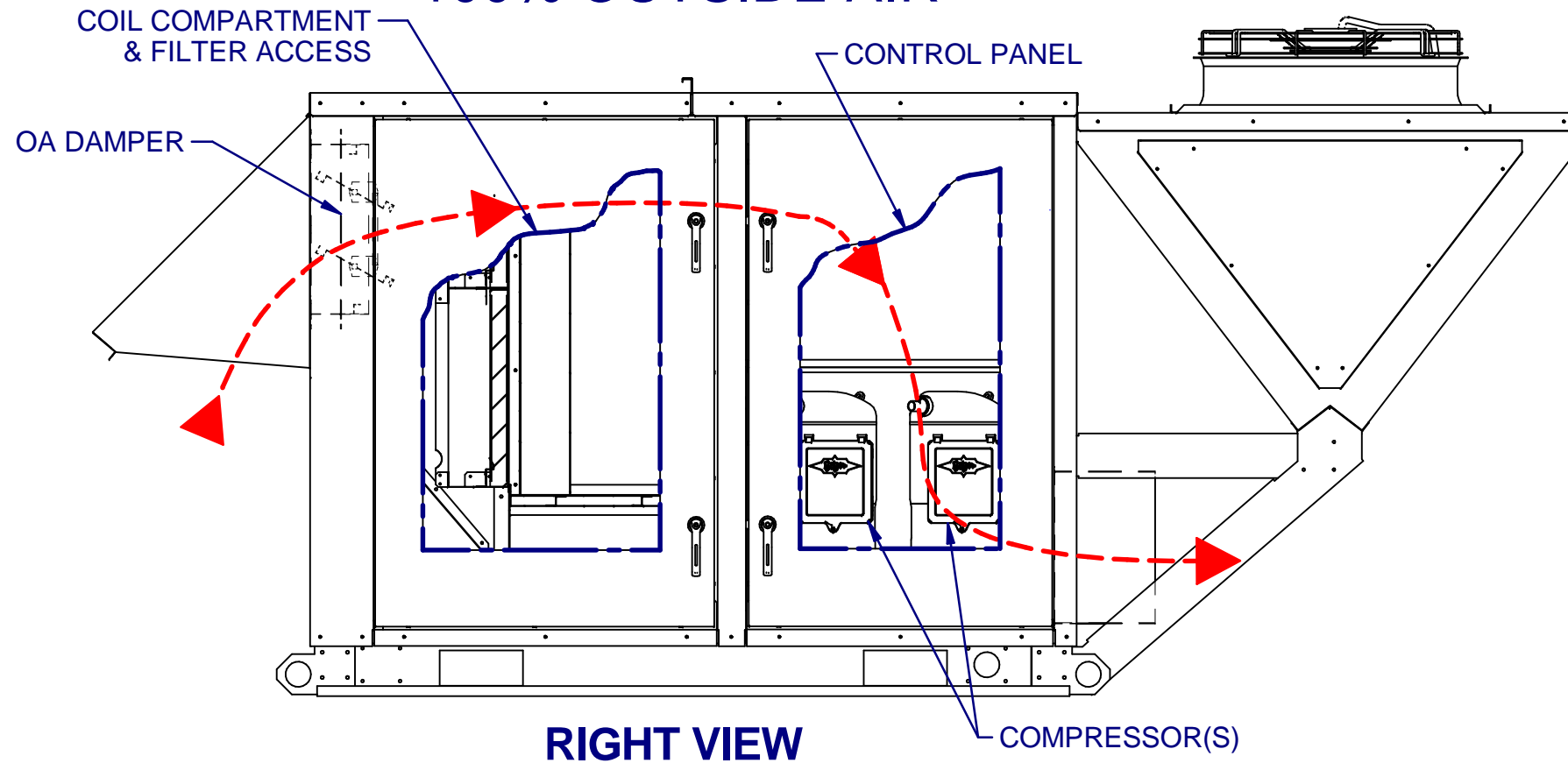


100% OUTSIDE AIR



DRAWING NUMBER: 0504I-2504-4	12/21/2015
TITLE: PR B2 CAB NO EXH HOR	1 OF 1