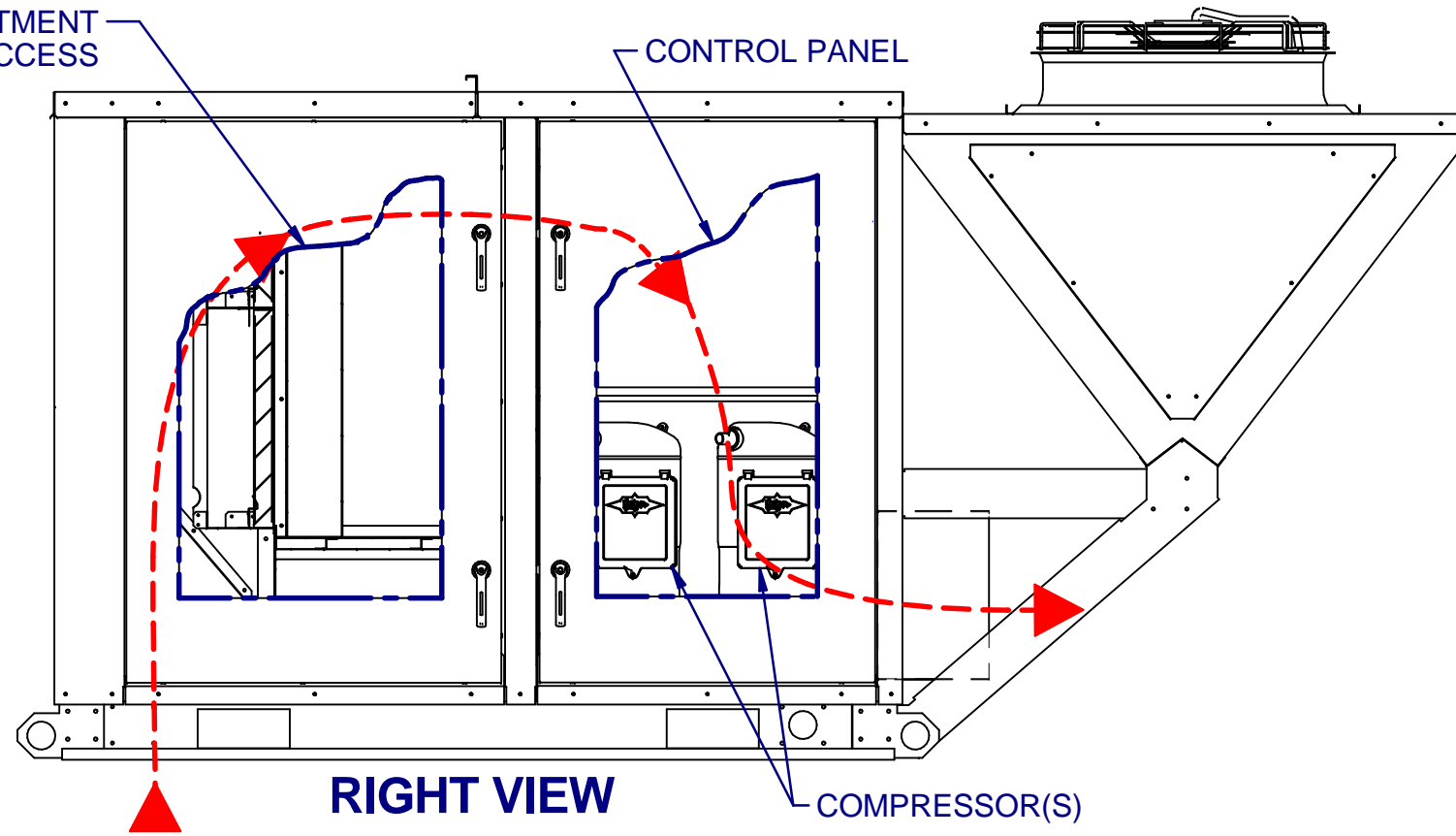


# RECIRCULATING OPTION

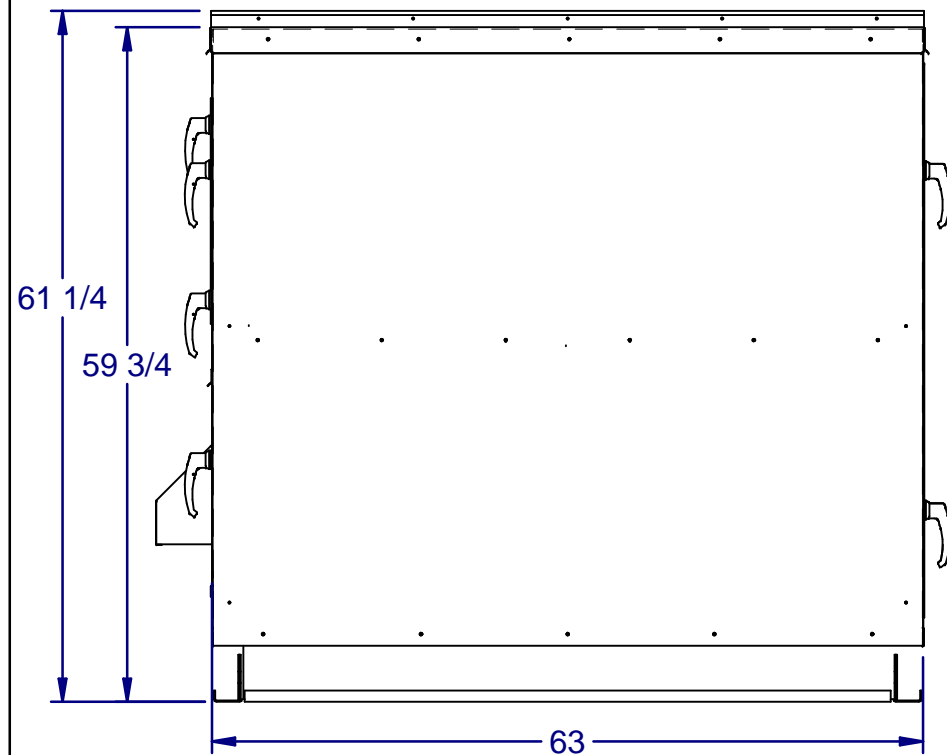
COIL COMPARTMENT & FILTER ACCESS

CONTROL PANEL

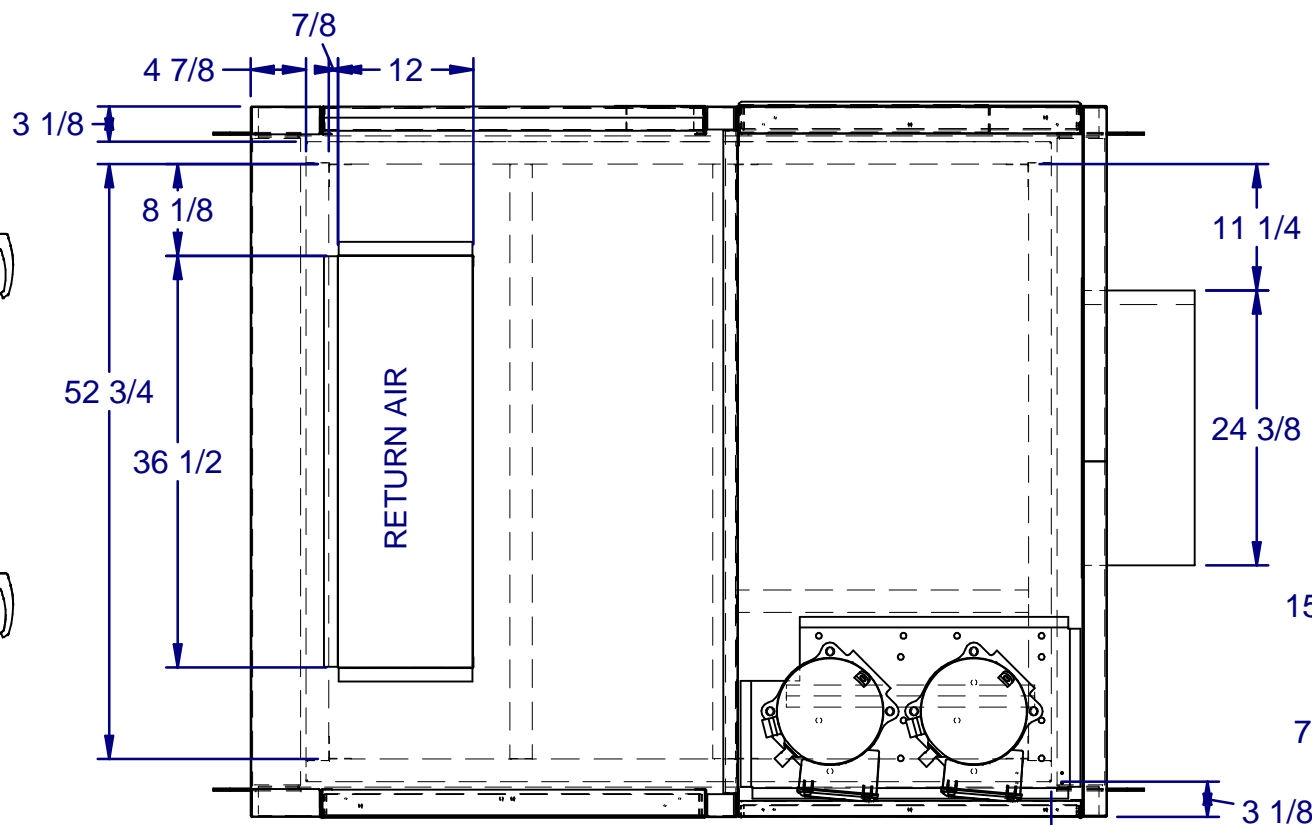


**RIGHT VIEW**

COMPRESSOR(S)

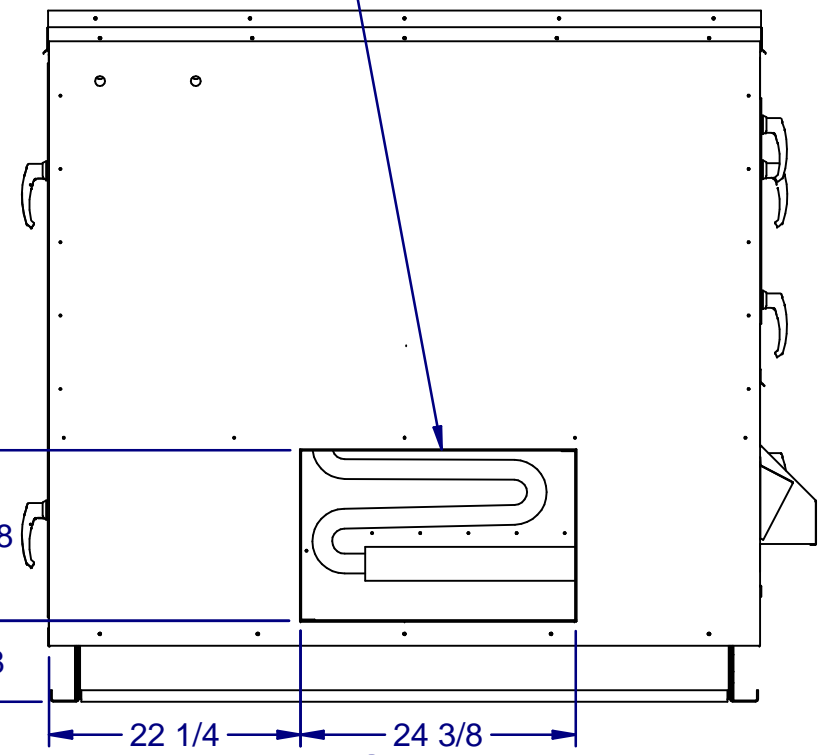


**FRONT VIEW**



**TOP PLAN VIEW  
CONDENSING SIDE  
NOT SHOWN**

SUPPLY AIR



**BACK VIEW**

DRAWING NUMBER: 05041-2504-5

10/12/2016

TITLE: PR B2 CAB NO EXH HOR

1 OF 1