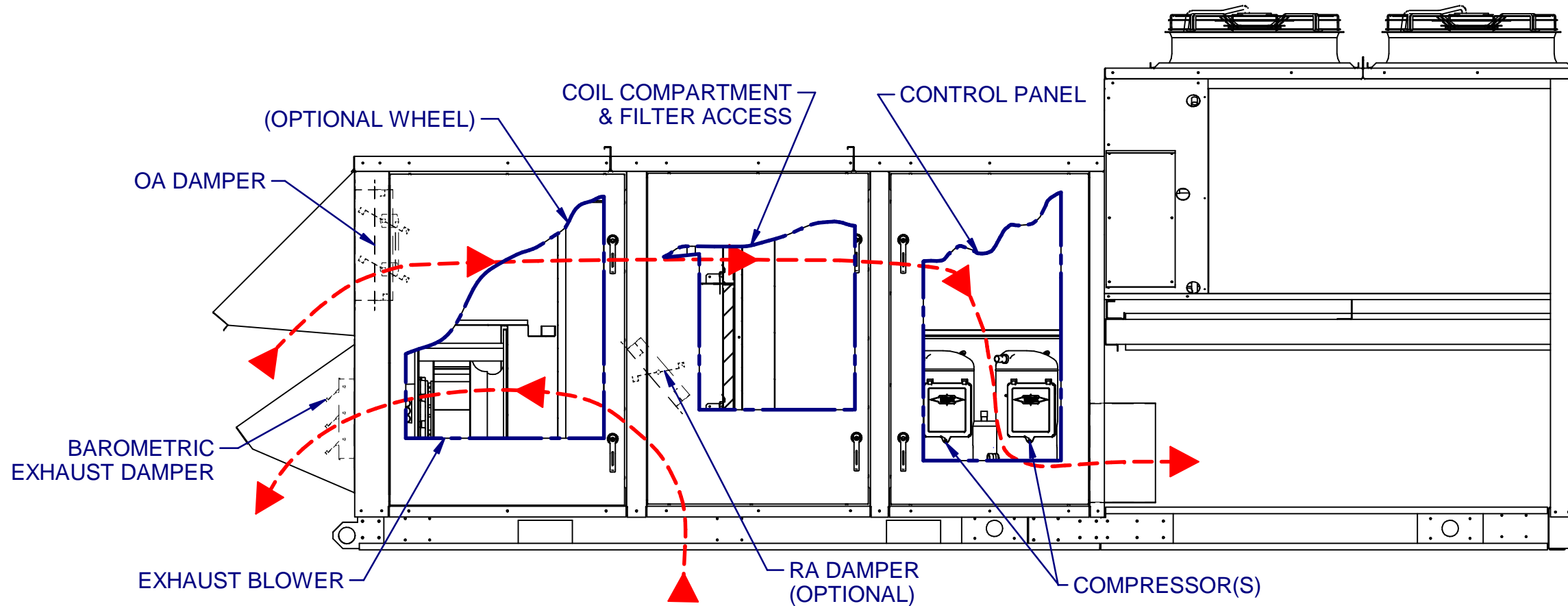
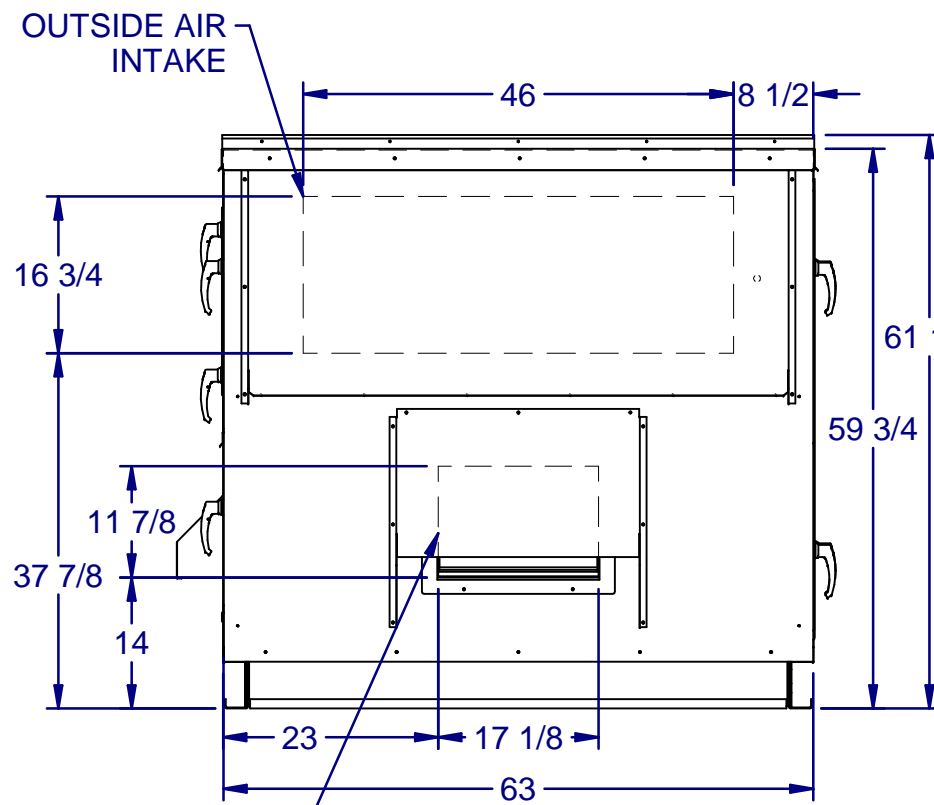


COND. CONN.	GAS COND. CONN.	GAS INLET CONN.	CWC CONN.	HWC CONN.
3/4" Ø SLIP CONN.	1/2" Ø FPT	75-200 MBH - 1/2"-3/4" Ø NPT	1 3/8"-1 5/8" Ø	1 5/8" Ø

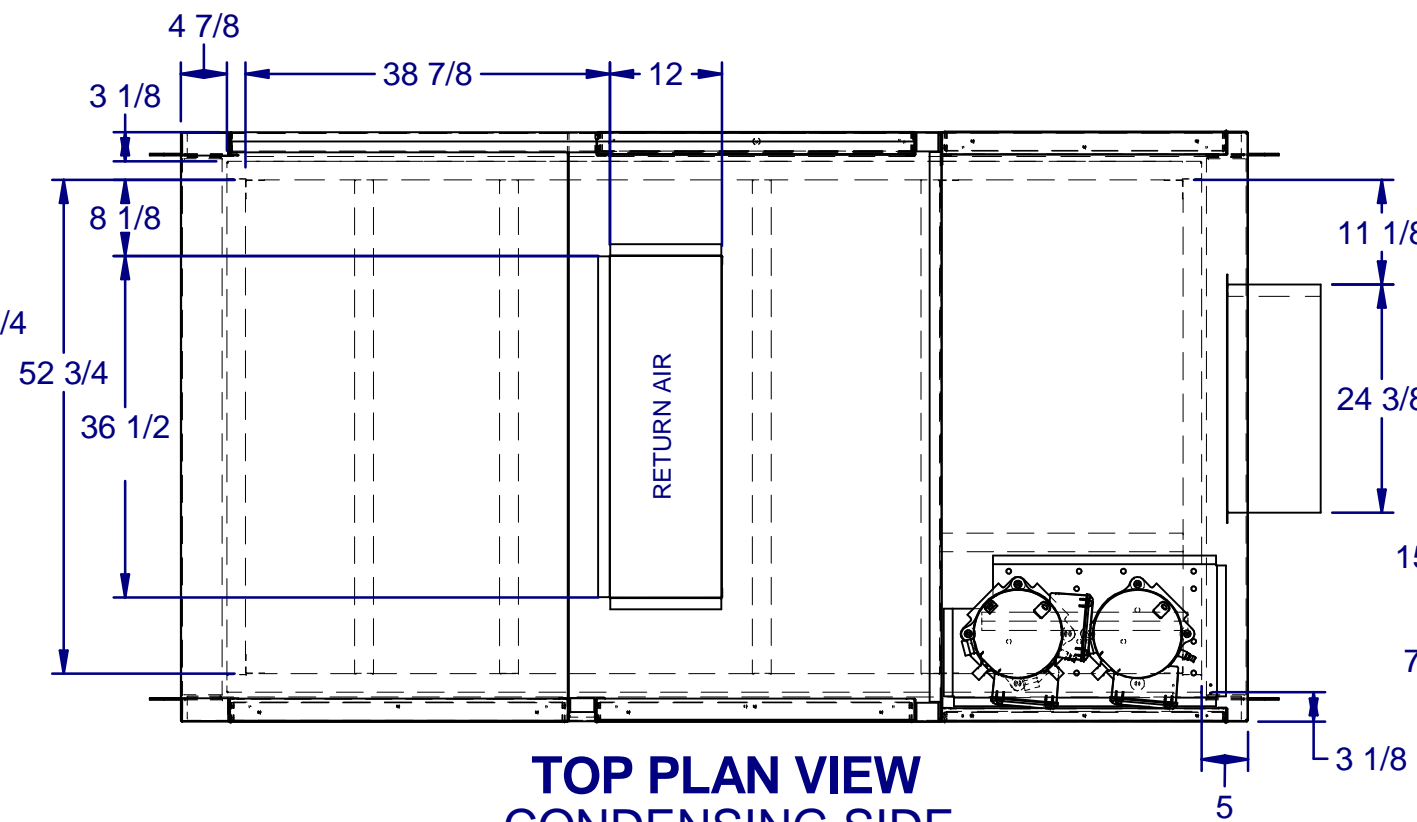
DRAWING NUMBER: 05041-2505	12/21/2015
TITLE: PR B4 CAB HOR	1 OF 2



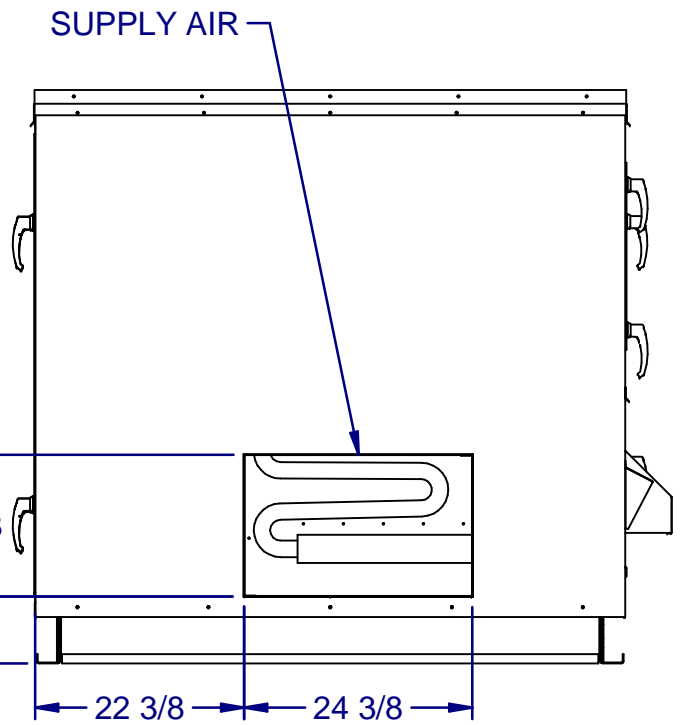
RIGHT VIEW



FRONT VIEW



**TOP PLAN VIEW
CONDENSING SIDE
NOT SHOWN**



BACK VIEW

DRAWING NUMBER: 05041-2505	12/21/2015
TITLE: PR B4 CAB HOR	2 OF 2