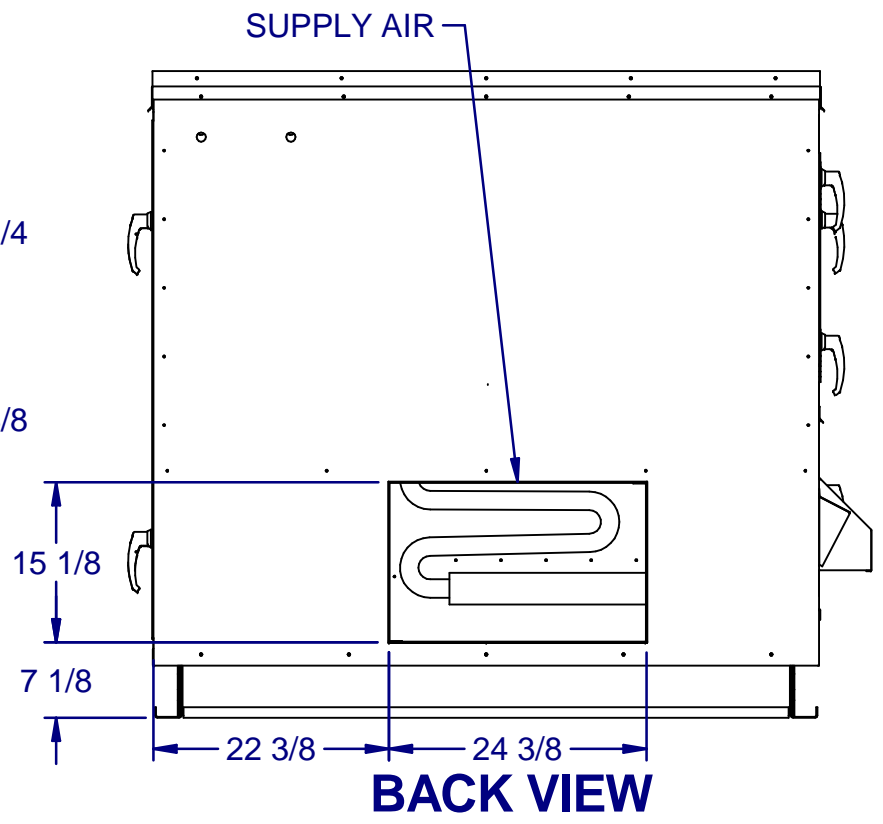
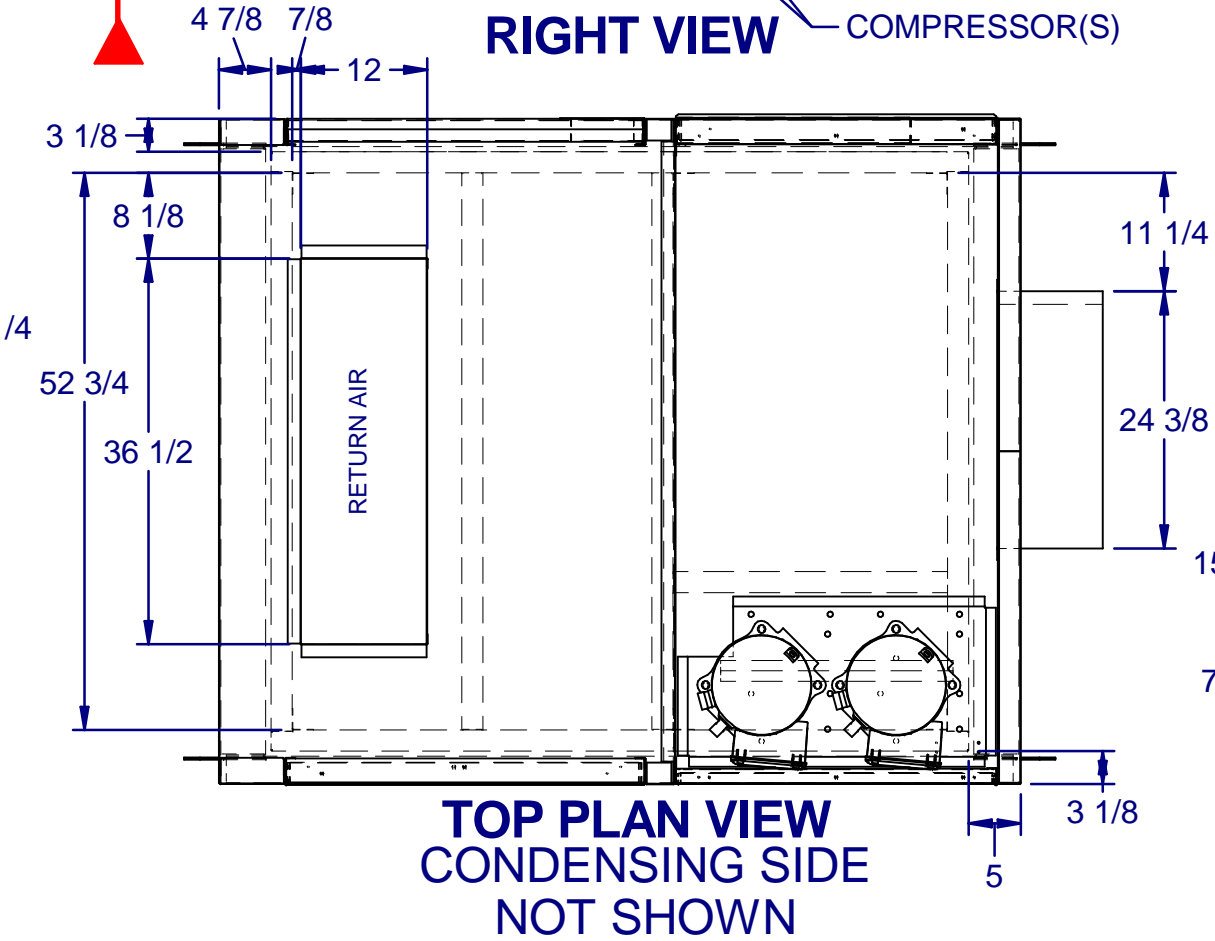
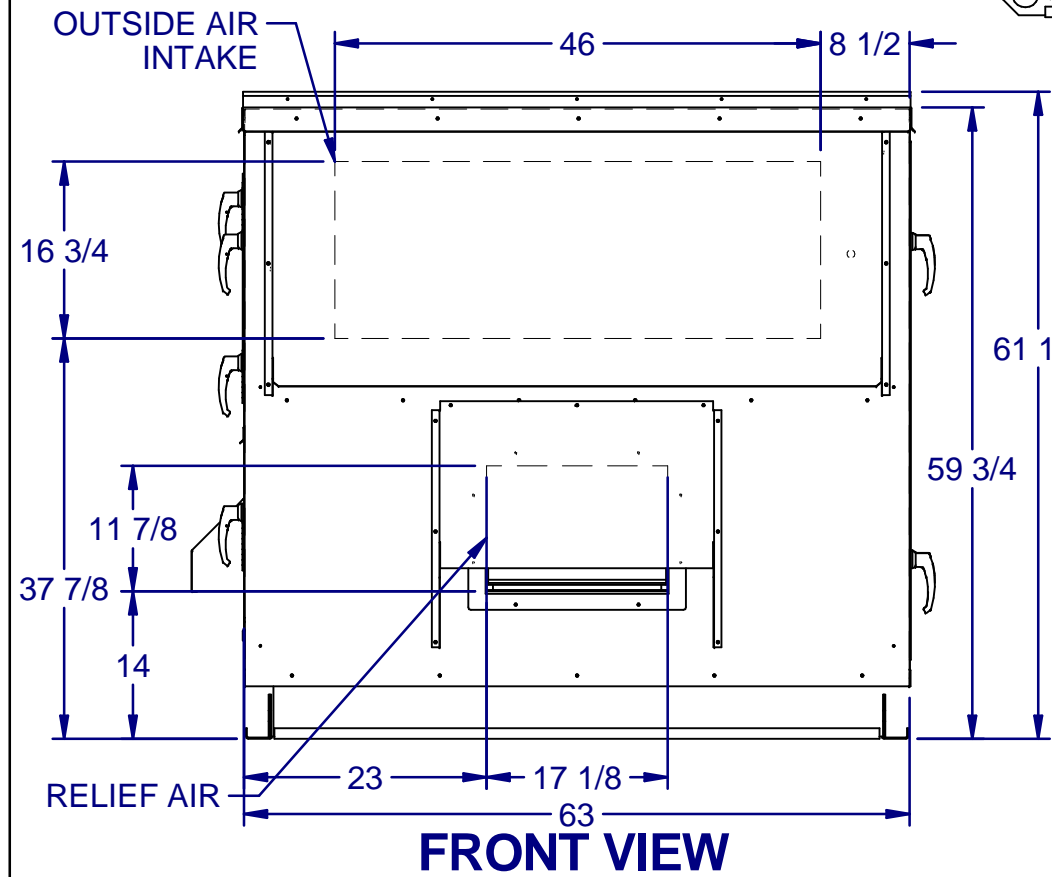
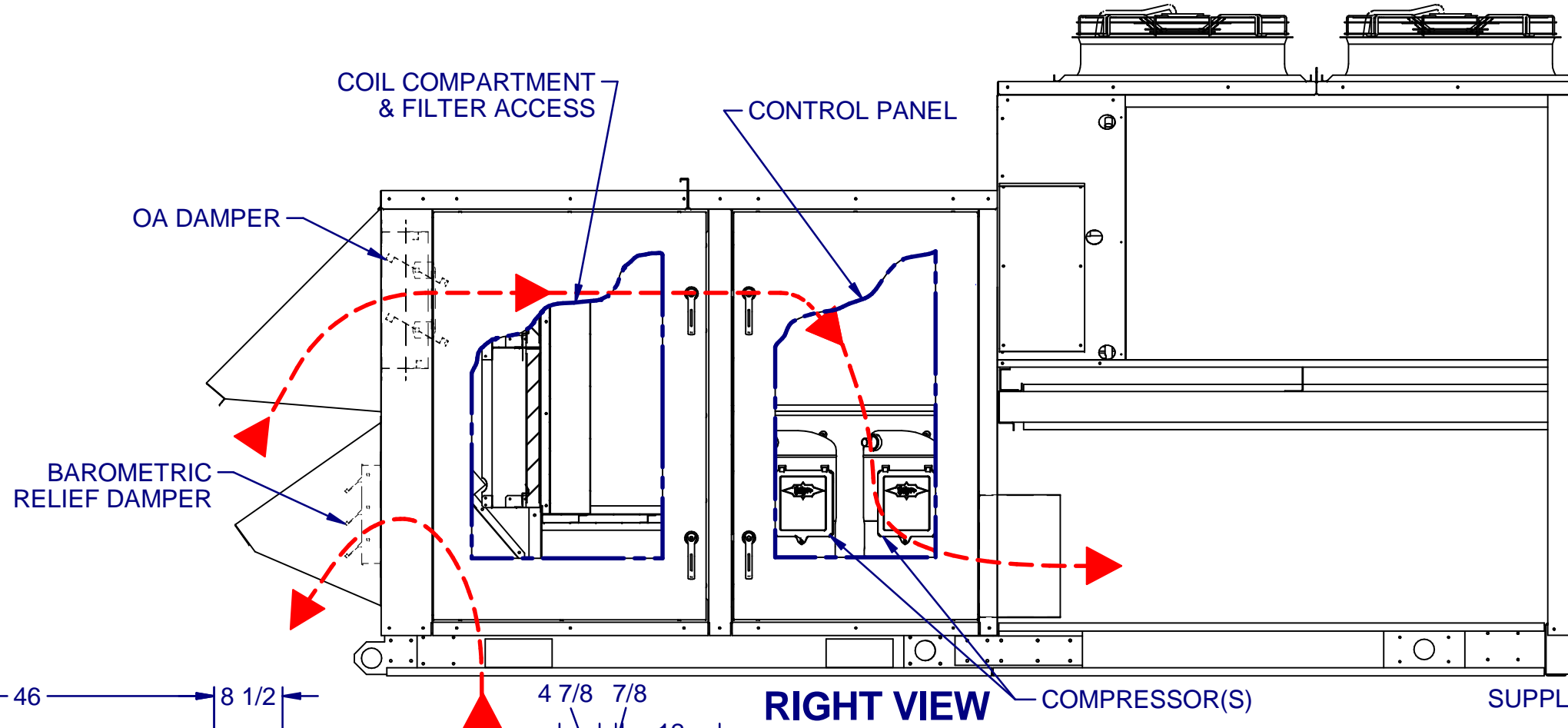


# 100% OUTSIDE AIR WITH BAROMETRIC RELIEF



DRAWING NUMBER: 05041-2506-2	12/21/2015
TITLE: PR B4 CAB NO EXH HOR	1 OF 1