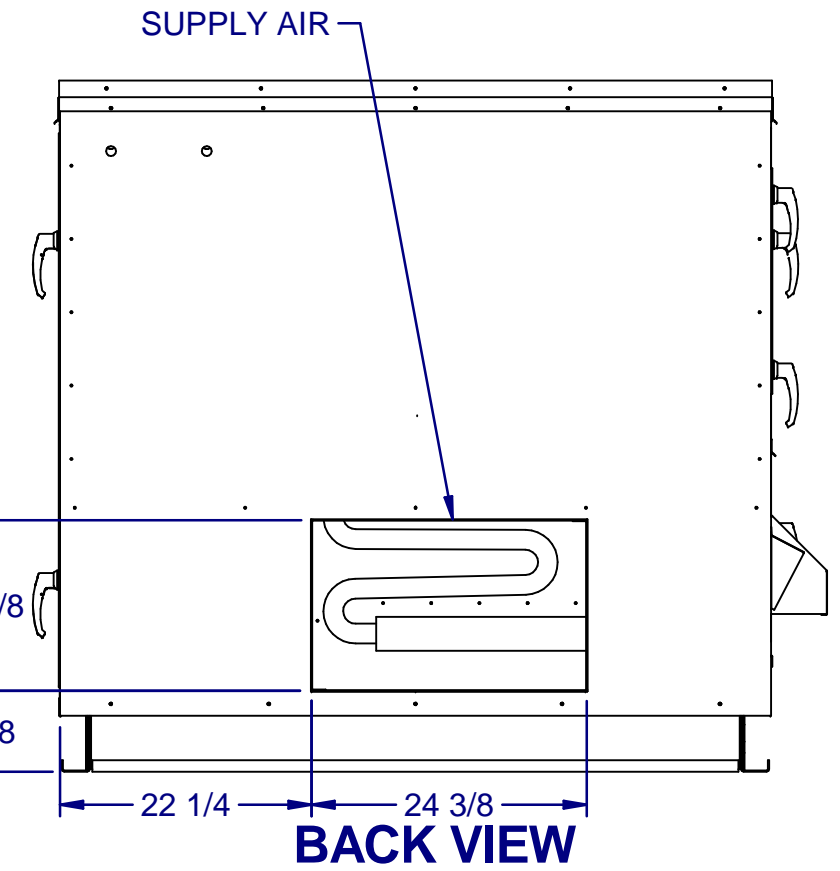
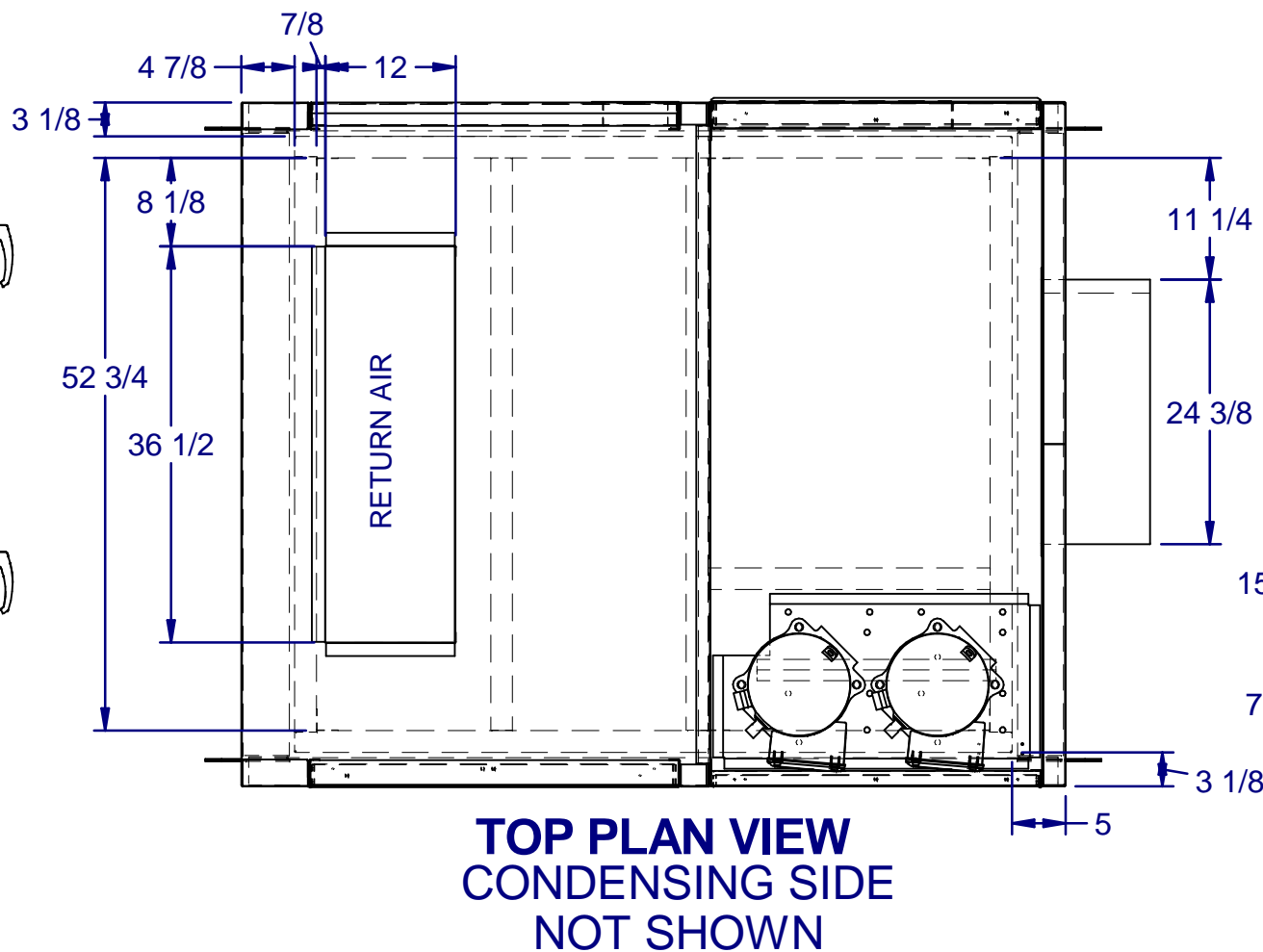
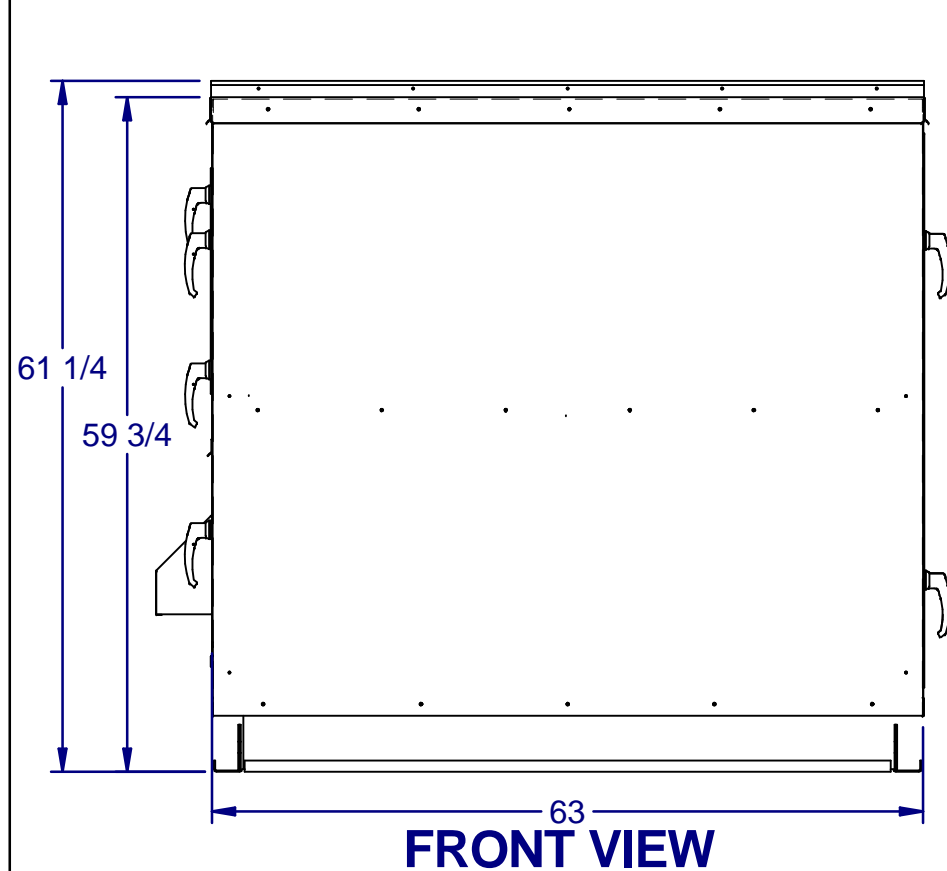
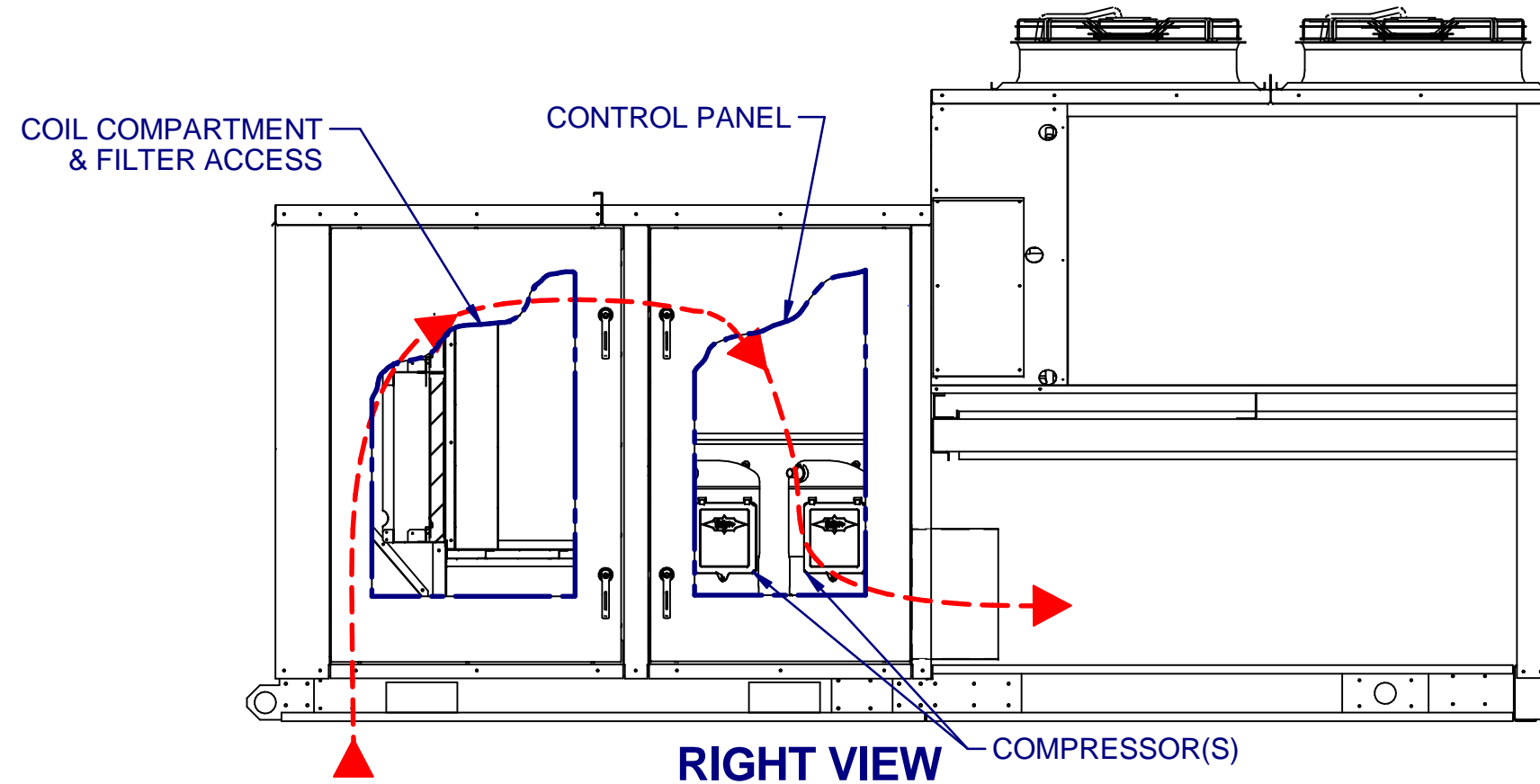


RECIRCULATING OPTION



DRAWING NUMBER: 05041-2506-5	10/13/2016
TITLE: PR B4 CAB NO EXH HOR	1 OF 1