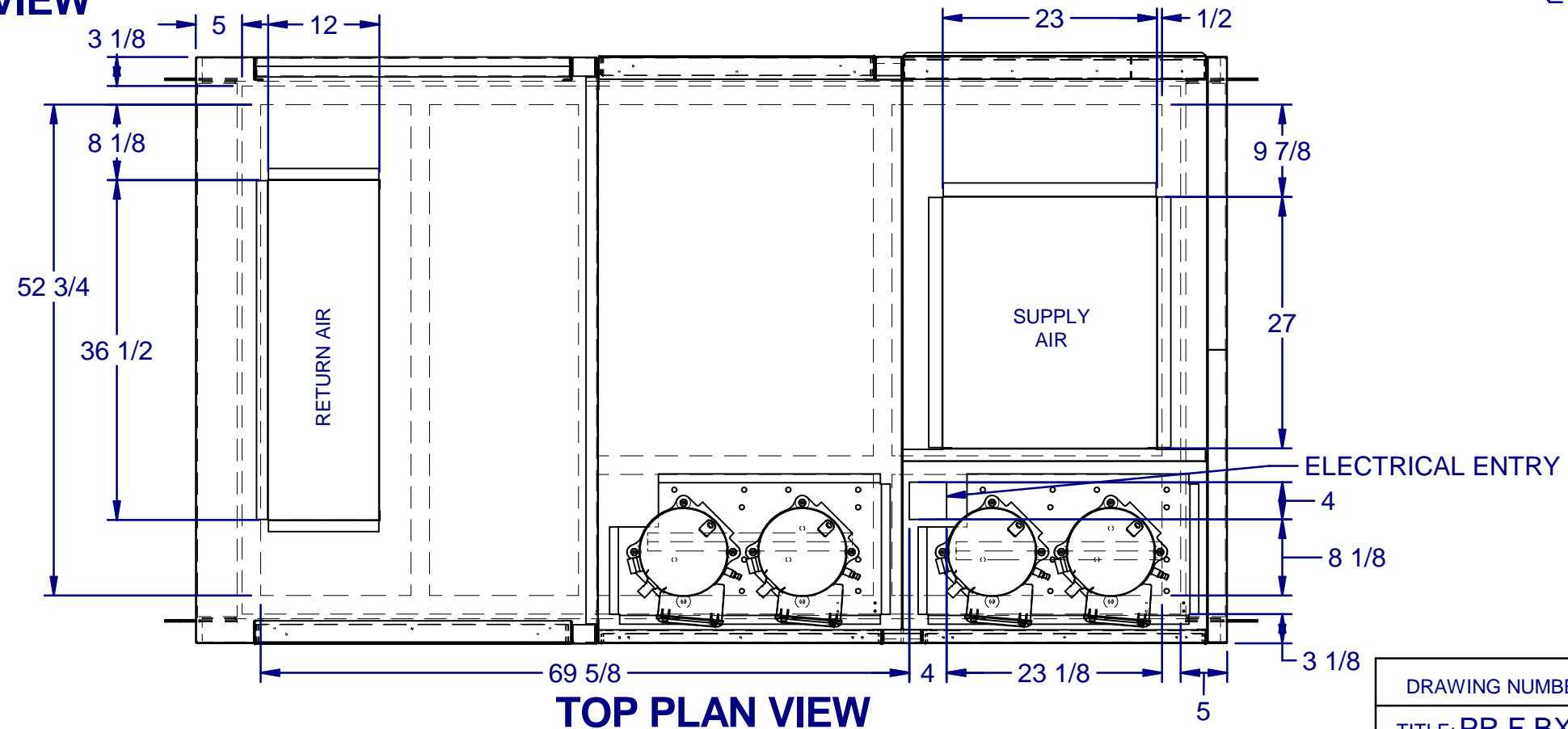
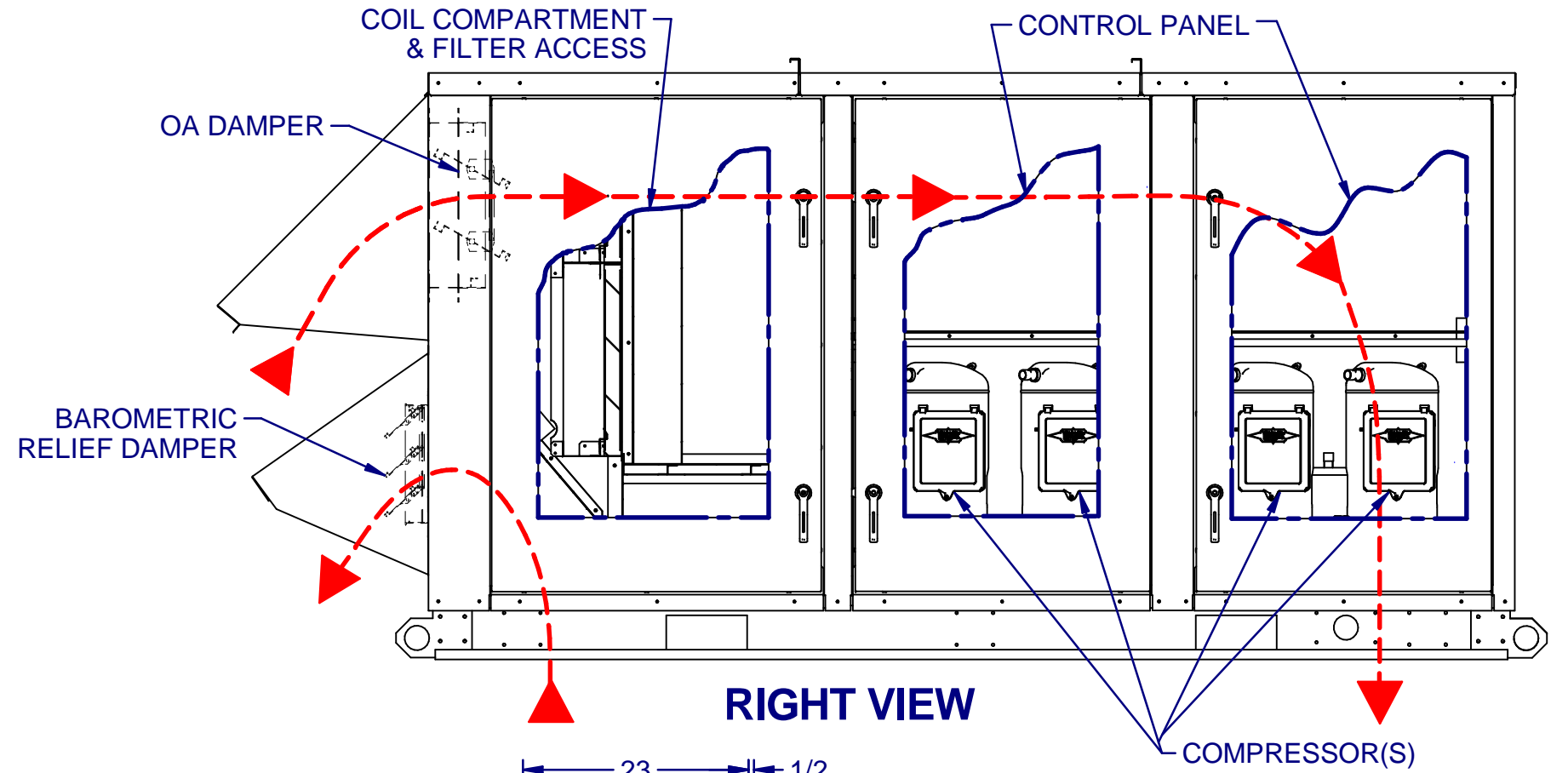
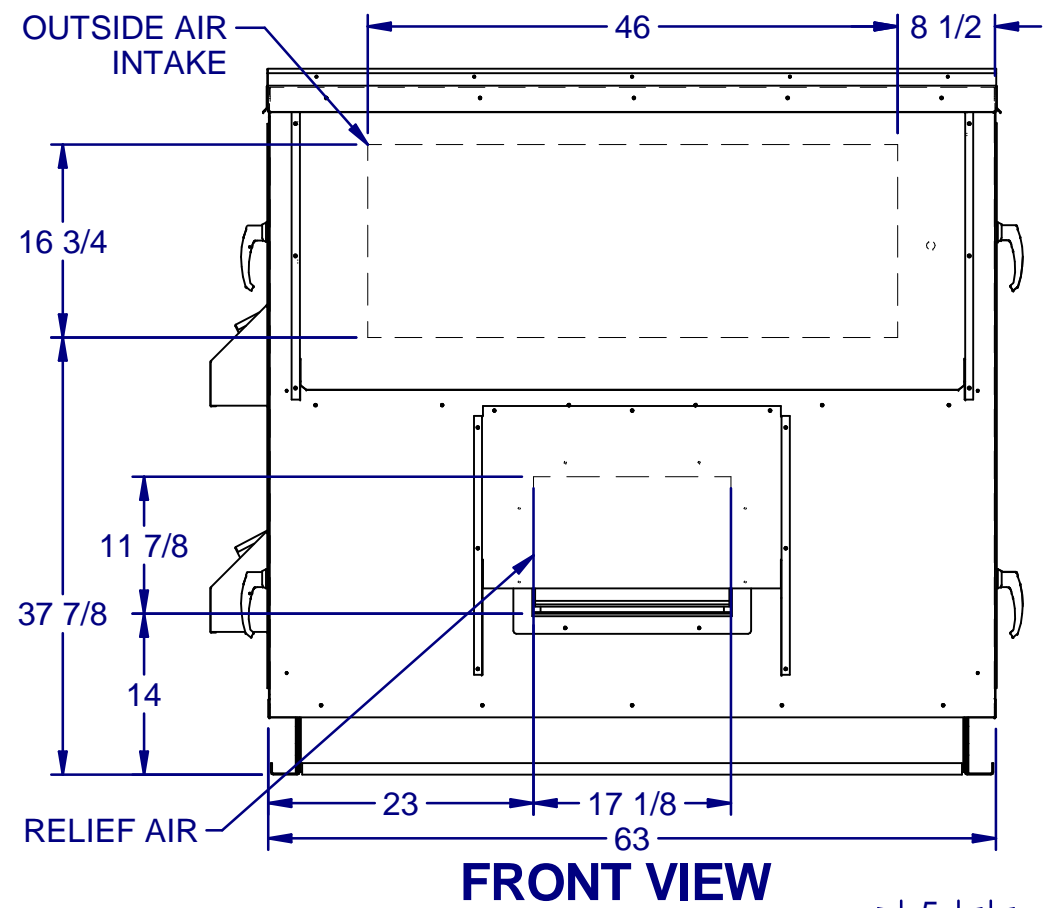


# 100% OUTSIDE AIR WITH BAROMETRIC RELIEF



DRAWING NUMBER: 0504I-2508-2	12/21/2015
TITLE: PR F BXL CAB NO EXH	1 OF 1