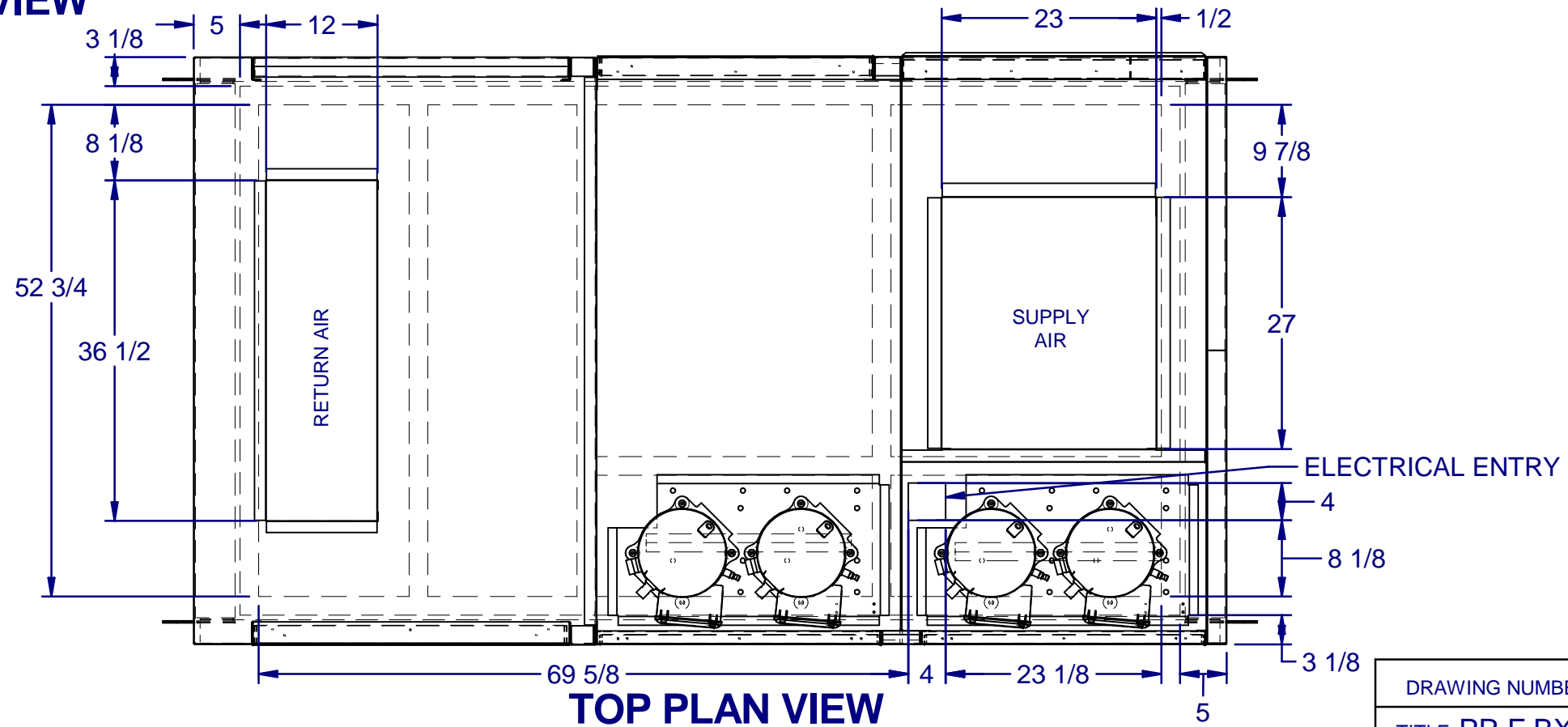
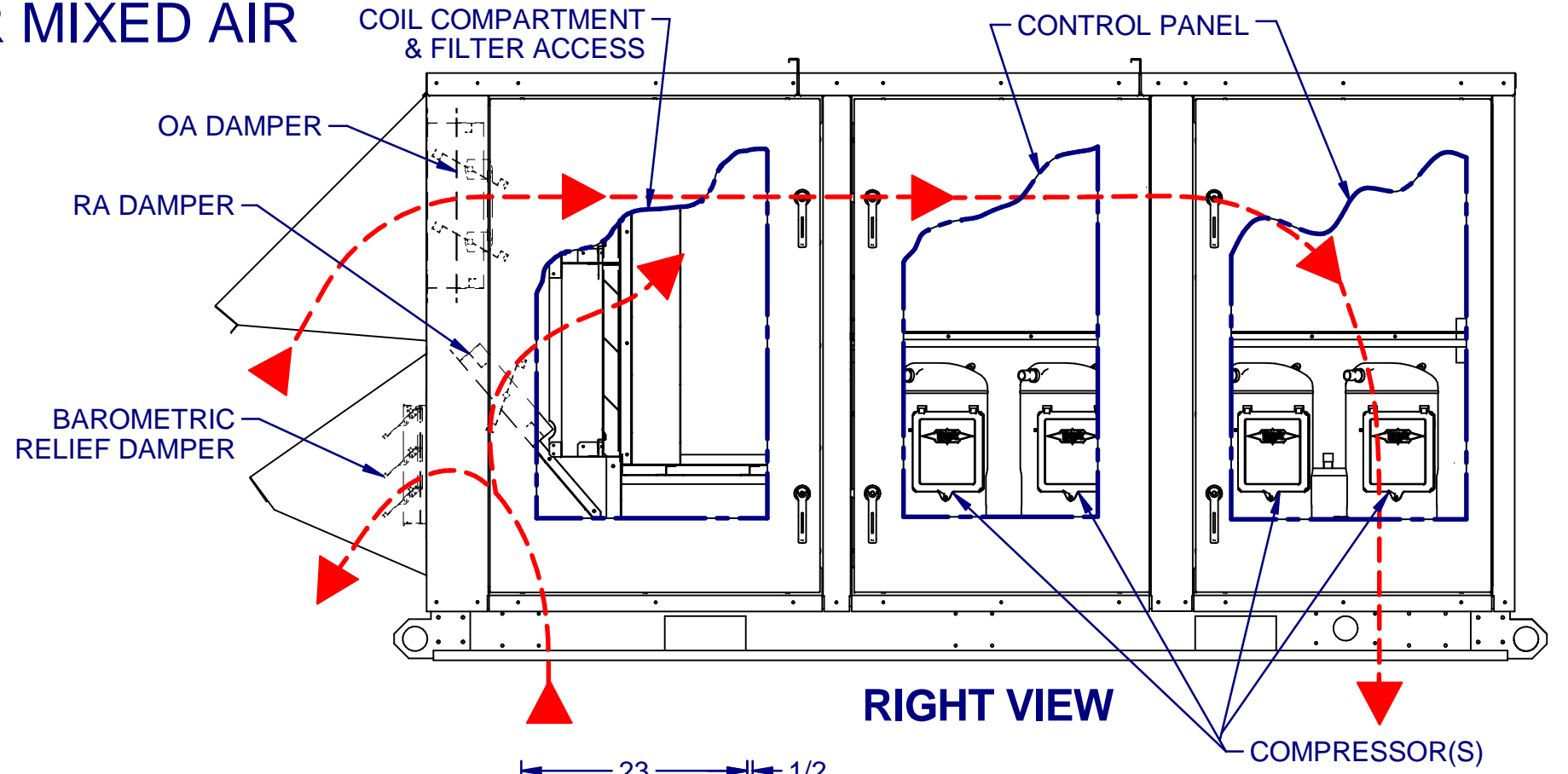
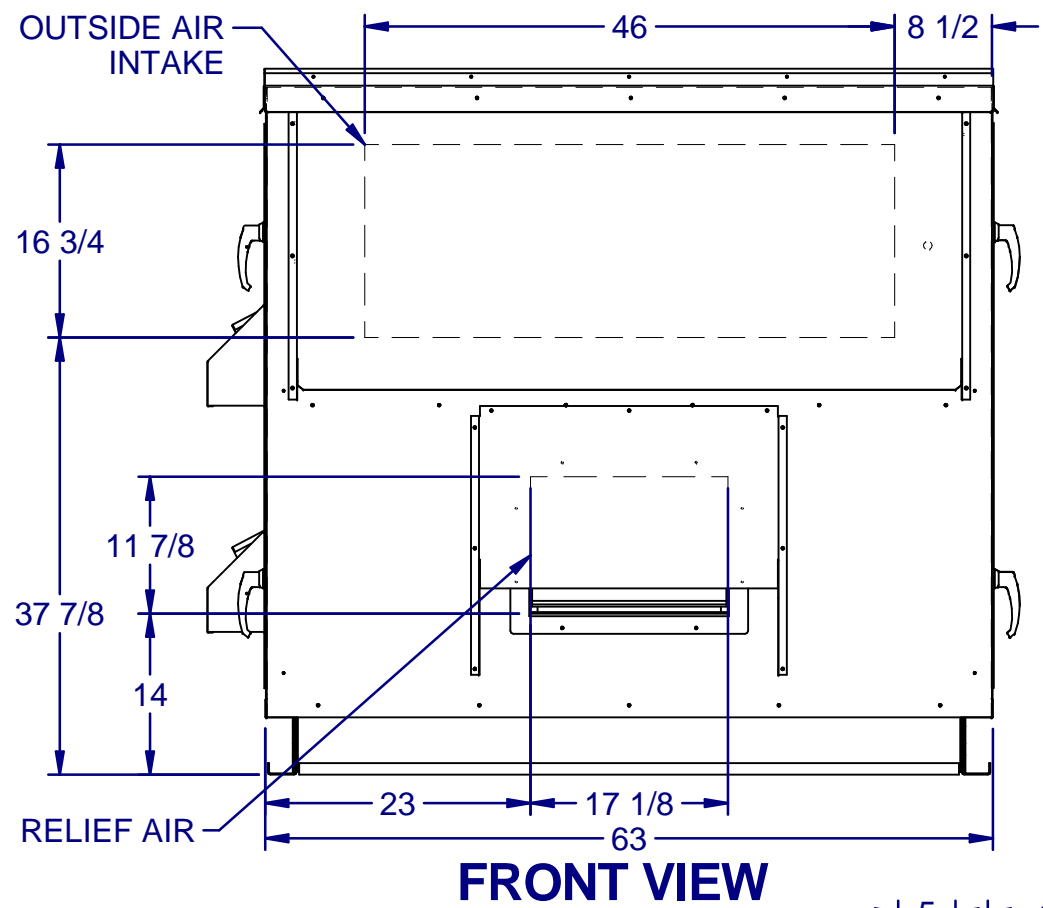


# 100% OUTSIDE AIR WITH RECIRCULATING OPTION OR MIXED AIR



|                              |            |
|------------------------------|------------|
| DRAWING NUMBER: 0504I-2508-3 | 12/21/2015 |
| TITLE: PR F BXL CAB NO EXH   | 1 OF 1     |